

倍仕得电气科技(杭州)股份有限公司
BEISIT ELECTRIC TECH (HANGZHOU) CO.,LTD.

浙江杭州临平经济技术开发区唐梅路1号 邮编: 311100

Add.: 1, Tangmei Rd., Linping Economic-Technological
Development Area, Hangzhou, Zhejiang 311100, China
Tel: 0086-571-8936 2888 E-mail: info@beisit.com
Http: // www.beisit.com

倍仕得电气科技(深圳)有限公司
BEISIT ELECTRIC TECH (SHENZHEN) CO.,LTD.

深圳龙华区壹成环智中心B座1203-1204单元 邮编: 518109

Add.: Unit 1203-1204, Building B, Yicheng Huanzhi Center,
Longhua District, Shenzhen 518109 China
Tel: 0086-755-23730413 E-mail: info@beisit.com
Http: // www.beisit.com

倍仕得电气科技(杭州)股份有限公司天津分公司
BEISIT ELECTRIC TECH (HANGZHOU) CO.,LTD. - TIANJIN BRANCH

天津河东津滨大道万达广场写字楼A座1416 邮编: 300171

Add.: #1416 Building A, Wanda Plaza Office Building,
Jinbin Avenue, Hedong District, Tianjin 300171 China
Tel: 0086-22-85453260 E-mail: info@beisit.com
Http: // www.beisit.com



Heavy Duty Connectors 重载连接器



微信公众号



官网



抖音

We reserve the right to make technical changes or modify the contents of this document without prior notice. All the agreed particulars shall prevail. All rights reserved.

倍仕得园区鸟瞰图
Beisit factory Aeroview



产品合集
Product Collection



做人，把人品做好。
做企业，把产品做好。

董事长： 李乐

品牌解析

Brand Definition

BEISIT®

"I" stands for "Integrity 诚信"

"I" stands for "International 国际"

"BEST": Best 最好

做诚信的国际企业，以更好的品质服务客户

Functions as an international company of high integrity whose mission is to provide customer with finest products and services

倍仕得

倍：即多，广聚英才；加倍，业精于勤；倍增，高效发展

pronounced as "bei", means "more", gathering more talents; mastery of work comes from more diligence; developing with high efficiency.

仕：人才，德才兼备；仕途，个人和企业前景光明

pronounced as "shi", means "talents", a person with ability and integrity; Both enterprise and individual should have a bright future, indicating the idea of people-oriented.

得：拥有，拥有更高价值

pronounced as "de", means "possess", to create and possess higher value.

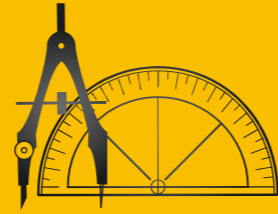
广聚英才，共创美好未来

Gather a large number of talents, and create a glorious future

研发中心
R&D Center

BEISIT

强大的产品研发能力
Strong and Efficient R&D



模具中心
Mold Processing Center

BEISIT

精密模具设计制造能力
Ability for Designing and Manufacturing of Precise Mould
为客户特殊定制能力
Customization.

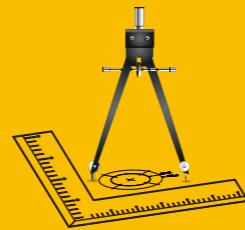


精密刀具设计制造

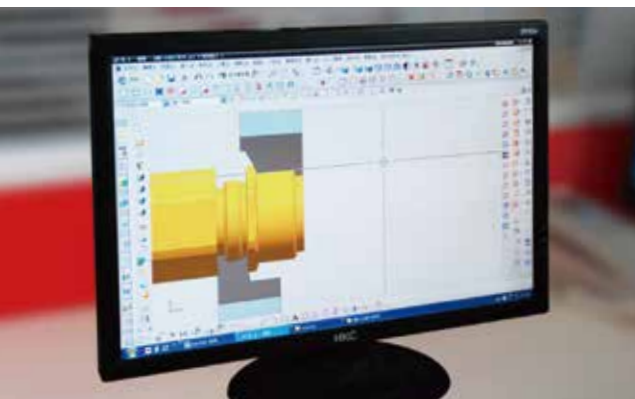
Design and Manufacture of Precise Cutting Tools



精密刀具设计制造能力
Design and Manufacture of Precision Cutting Tools.



为客户定制精密产品
Customization of High-precision Products for Customers



检测中心
Testing Center



先进的检测设备，全流程产品检测
Advanced Testing Equipment, Full-process Product Testing



倍仕得产品检验遵循德国DIN、VDE标准和美国UL标准
Product Tests follow German standard of DIN, VDE and American UL Standard.
产品符合欧洲最新EN标准和ATEX标准
Comply with Latest of EN and ATEX European standard.



电性能：
接触电阻、绝缘电阻、
温升、耐电压、频谱、
矢量网络

Electrical Performance:
Contact Resistance、Insulation Resistance、
Temperature Rise、Withstand Voltage、
Spectrum、Vector Network



机械性能：
插入力和拔出力、正向压力、
机械操作寿命、拉脱力、吊重、
落球冲击、硬度、附着力

Mechanical properties:
Insertion Force and Pull-out Force、Forward Pressure、
Mechanical Lifespan、Pull off Force、Lifting Weight、
Drop Impact、Hardness、Adhesion



环境性能：
高温/低温、温度快速变化、
稳态湿热/循环湿热、防尘/防水、
抗UV、阻燃、盐雾腐蚀、硫化腐蚀

Environmental Performance:
High / low Temperature、Rapid Temperature Change、
Steady State Damp Heat / Cyclic Damp Heat、Dustproof / Saterproof、
Anti UV、Flame Retardant、Salt Spray Corrosion、Vulcanization Corrosion

企业认证
Company Certifications



信息化系统
Informatization System



高效快捷的信息化系统
Efficient and fast Informatization system.





倍仕得使命：为全球工业提供最可靠的连接器产品
Mission: To supply most reliable connectors for global industry.

客户价值观：敬畏客户；为客户创造独特价值的决心不动摇
Customer Value: Revere clients; Never waver in determination to create unique value for our clients.

品质价值观：品质如命，只有一次；做出100%合格产品的决心不动摇
Quality Value: Quality as life, only once. Never waver in determination to produce 100% qualified products.



目录 Contents

产品介绍 Product introduction

- 01 重载连接器概述
> Heavy-Duty connectors introduction
- 02 产品型号描述说明
> Product model description
- 04 产品组合示例
> How to order connectors
- 05 电气参数及产品组合规则说明
> Electrical Parameters and Product Combination Possibilities
- 07 连接技术信息
> Connection Technology Information

接插芯件 Contact inserts

- 10 接插芯件-HA
Contact inserts-HA
- 15 接插芯件-HE
Contact inserts-HE
- 29 接插芯件-HEE
Contact inserts-HEE
- 36 接插芯件-HEEE
Contact inserts-HEEE
- 41 接插芯件-HD
Contact inserts-HD
- 52 接插芯件-HDD
Contact inserts-HDD
- 60 接插芯件-HDDD
Contact inserts-HDDD
- 64 接插芯件-HSB
Contact inserts-HSB
- 66 接插芯件-HK
Contact inserts-HK
- 70 金属模块框架
Metal module frame
- 73 空置模块
Filling module
- 74 金属对接框架
Metal docking frame
- 75 塑料浮动框架
Plastic floating frame
- 77 接插芯件-HM
Contact inserts-HM
- 109 接插芯件-HQ
Contact inserts-HQ

外壳 Housing

- 120 外壳
> Housings
- 121 外壳-3A
> Housings-3A
- 124 外壳-10A
> Housings-10A
- 126 外壳-16A
> Housings-16A
- 128 外壳-32A
> Housings-32A
- 130 外壳-6B
> Housings-6B
- 133 外壳-10B
> Housings-10B
- 142 外壳-16B
> Housings-16B
- 151 外壳-24B
> Housings-24B
- 160 外壳-32B
> Housings-32B
- 164 外壳-48B
> Housings-48B
- 166 HC塑料外壳
> Plastic Hoods &Housings

工具 Tools

- 113 工具
> Tools

技术指导 Technical guidance

- 168 金属材料
> Metal Materials
- 169 塑料材料
> Plastic Materials
- 171 IP防护等级
> IP Protection Classification
- 172 IEC60664-1 技术信息
> IEC60664-1 Technical information
- 174 IEC60352-2 技术信息
> IEC60352-2 Technical information

索引 Index

- 175 索引
> Index

连接世界 · 连接未来

重载连接器概述

Heavy-Duty connectors introduction



BEISIT重载连接器 (HD) 遵循 IEC 61984 电气安全规范设计和制造, 用于传输电源、信号和数据的快速可靠的连接, HD重载连接器具备很高的防护等级, 即使在最恶劣的环境条件下, 也能正常工作。适用于轨道交通, 电力工程、智能制造等需要可靠、坚固和可插拔电气连接的任何地方。

BEISIT heavy-duty connectors (HD) are designed and manufactured in accordance with IEC 61984 electrical safety specifications for fast and reliable connections that transmit power, signals and data, HD heavy-duty connectors have a high degree of protection, even in the harshest It can also work normally under ambient conditions. Suitable for rail transit, power engineering, smart manufacturing, etc. wherever reliable, robust and pluggable electrical connections are required.

产品范围覆盖了几乎所有适用类型的连接器并采用不同上壳和底座类型, 比如HA, HB系列的金属和塑料外壳, 不同大小和出线方向上壳, 开孔安装底座和表面安装底座, 即使在严苛的条件下, 连接器也可以安全地完成任任务。

The product range covers almost all applicable types of connectors and uses different hoods and housing types, such as metal and plastic hoods & housings of the HA, HB series, different cable directions, bulkhead mounted and surface mounted housings even in In harsh conditions, the connector can also safely complete the task.

我们能提供从HA (通用10A), HE (通用16A), HK(强弱电混装), HQ (电机/电源) 等主要产品系列。

插针数量: 1 到 400 + PE; 额定电压: 25 V 至 5000 V; 额定电流: 5 A 至 350 A; 连接类型主要有压接接线方式, 和现场装配的接线方式。

We can provide main product series from HA (general purpose 10A), HE (general purpose 16A), HK (high and low current mixed), HQ (motor/power supply). Number of pins: 1 to 400 + PE; Rated voltage: 25 V to 5000 V; Rated current: 5 A to 350 A; The connection types mainly include crimping wiring and field assembly wiring.

使用连接器的优点 Advantages of using connectors

连接器使在现场安装机械设备的过程变得更加轻松。
Connectors make the process of installing mechanical equipment in the field easier.

在工厂车间/生产设施中预先安装组建, 缩短建设周期。
Pre-install components on the factory /production facility to shorten the construction period.

在出现故障时更快地拆卸和重新安装设备, 实现快速的机器设备/生产单元的更换和维修。
Faster removal and re-installation of equipment in the event of a failure, enabling rapid machine equipment/production cell replacement and repair.

提高机器和设施的安全性/为未经培训的电工人员也可以轻松操作。
Improve machine and facility safety/easy operation for untrained workers.

产品型号描述说明

Product model description



上壳 Hoods

HxxB - SO - xP - Mxx

螺纹规格: M_M螺纹
Thread: The metric thread

PG_PG螺纹
The PG thread

扣合方式: 1L_1套铁镀锌锁扣
2LP_2套塑料锁扣
2P_1对压铸柱子
4PR_2对铆压柱子
Fastening method: 1 set of iron galvanized locks
2 sets of plastic locks
1 pair of die-cast columns
2 pairs of riveted columns

2L_2套铁镀锌锁扣
1LS_1套不锈钢锁扣
2PR_1对铆压柱子
2B_2个螺栓
2 sets of iron galvanized locks
1 set of stainless steel locks
2 pairs of die-cast columns
2 bolts

1LP_1套塑料锁扣
2LS_2套不锈钢锁扣
4P_2对压铸柱子
2LB_2个长螺栓
1 set of plastic locks
2 sets of stainless steel locks
1 pair of riveted columns
2 long bolts

结构: CTC_线对线
SOH_侧出线高结构
Structure: Wire to wire
Wire Side outlet height structure

CTCH_线对线高结构
TO_顶出线
Wire to wire height structure
Top out wire

SO_侧出线
TOH_顶出线
Side outlet wire
Top out wire

系列号: HxxA_HxxA系列
Series no.: HxxA_HxxA Series

HxxB_HxxB系列
HxxB_HxxB Series

下壳 Housings

HxxB - SO - XP - XXX - Mxx

螺纹规格: M_M螺纹
Thread: The metric thread

PG_PG螺纹
The PG thread

XXX-保护盖样式: PC-塑料盖
MC-金属盖
Dust cover style: Plastic cap
Sealed

PC2-塑料盖形式2
MCG-金属盖+密封圈
Plastic cap
Metal cover

PCG-塑料盖+密封圈
Plastic cap,Gasket ring
Metal cover,Gasket

扣合方式: 1L_1套铁镀锌锁扣
2LP_2套塑料锁扣
2P_1对压铸柱子
4PR_2对铆压柱子

2L_2套铁镀锌锁扣
1LS_1套不锈钢锁扣
4P_2对压铸柱子
2BH_2个螺栓孔
2 sets of iron galvanized locks
1 set of stainless steel locks
2 pairs of die-cast columns
2 bolt holes

1LP_1套塑料锁扣
2LS_2套不锈钢锁扣
2PR_1对铆压柱子
2LBH_2个长螺栓孔
1 set of plastic locks
2 sets of stainless steel locks
1 pair of riveted columns
2 long bolt holes

Fastening method: 1 set of iron galvanized locks
2 sets of plastic locks
1 pair of die-cast columns
2 pairs of riveted columns

结构: OM_不封底
SM_封底
Structure: Unsealed
Sealed

OMS_不封底侧方安装插芯
SMS_封底侧方安装插芯
Mounting inserts on the unsealed side
Mounting inserts on the sealed side

OMH_不封底高结构
SMH_封底高结构
Unsealed height structure
Sealed height structure

系列号: HxxA_HxxA系列
Series no.: HxxA_HxxA Series

HxxB_HxxB系列
HxxB_HxxB Series

产品型号描述说明

Product model description

BEISIT®

插芯 Inserts

Hx - xxx - Mx

类型: M_螺钉插针插芯 FC_冷压插孔插芯 Type: Screw insert for male contacts Crimp jack insert	F_螺钉插孔插芯 MS_弹片插针插芯 Screw insert for female contacts Cage-clamp contact insert	MC_冷压插针插芯 FS_弹片插孔插芯 Crimp contact insert Cage-clamp contact insert
PIN数: 003_3PIN Pin number: 010_10PIN	004_4PIN 016_16PIN	006_6PIN 024_24PIN
系列号: HA_HA系列 HD_HD系列 Series no.: HA_HA series HD_HD series	HE_HE系列 HDD_HDD系列 HE_HE series HDD_HDD series	HEE_HEE系列 HEE_HEE series

插针/插孔 Crimp

xSM - xxx

适配导体: 0.37_0.37mm ² Wire 1.0_1mm ² cross-section:	0.5_0.5mm ² 1.5_1.5mm ²	0.75_0.75mm ² 2.5_2.5mm ²
形式: ESM 16A镀银插针 EGF 16A镀金插针 DSF 10A镀银插针	EGM 16A镀金插针 DSF 10A镀银插针 DGF 10A镀金插针	ESF 16A镀银插针 DGM 10A镀金插针
Type: 16A,Silver -Plated Male Contact 16A,Gold-Plated Female Contact 10A,Silver -Plated Female Contact	16A,Gold-Plated Male Contact 10A, Silver -Plated Male Contact 10A,Gold -Plated Female Contact	16A,Silver -Plated Female Contact 10A,Gold -Plated Male Contact

防尘盖 Dust cover

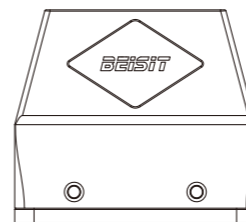
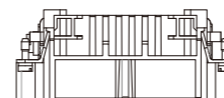
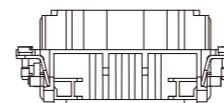
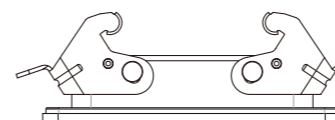
HxxB - PC - xP - Nxx

附件: N_1根尼龙绳 NTG_1根尼龙绳+端子+密封圈 MG_1根金属绳+密封圈 Accessories: Nylon rope Nylon rope+terminal+seal Metal rope+seal	NT_1根尼龙绳+端子 M_1根金属绳 MTG_1根金属绳+端子+密封圈 Nylon rope+terminal Metal rope Metal rope +terminal+seal	NG_1根尼龙绳+密封圈 MT_1根金属绳+端子 Nylon rope+seal Metal rope+terminal
扣合方式: 1L_1套铁镀锌锁扣 2LP_2套塑料锁扣 2BH_2个螺栓孔 4PR_2对铆压柱子	2L_2套铁镀锌锁扣 1LS_1套不锈钢锁扣 2LBH_2个长螺栓孔	1LP_1套塑料锁扣 2LS_2套不锈钢锁扣 2PR_1对铆压柱子
Fastening method: 1 set of iron galvanized locks 2 sets of plastic locks 2 bolt holes 2 pairs of riveted columns	2 sets of iron galvanized locks 1 set of stainless steel locks 2 long bolt holes	1 set of plastic locks 2 sets of stainless steel locks 1 pair of riveted columns
保护盖: Protective cover:		
系列号: HxxA_HxxA系列 Series no.: HxxA_HxxA Series	HxxB_HxxB系列 HxxB_HxxB Series	

产品组合示例

How to order connectors

BEISIT®

格兰头
Cable GlandBEISIT提供各种材质与功能的格兰头。
BEISIT is a professional manufacturer in cable glands with various materials and functions.上壳体
Hood根据不同空间选择高结构、低结构、侧出线、顶出线和相应的IP等级。
According to different spaces, you can choose:
1.low or high construction
2.top or side cable entry
3.IP protection插针
Male contacts根据不同性能选择镀金、镀银的表面处理方式。
Silver plated/gold plated.公插芯
Male insert根据不同接线要求选择螺钉、弹片、冷压接线方式。
According to wiring requirements, screw terminal or crimp terminal or cage-clamp terminal.母插芯
Female insert根据不同接线要求选择螺钉、弹片、冷压接线方式。
According to wiring requirements, screw terminal or crimp terminal or cage-clamp terminal.插孔
Female Contacts根据不同性能选择镀金、镀银的表面处理方式。
Silver plated/gold plated.下壳体
Housings不封底下壳体适用于开孔安装。
封底下壳体适用于表面安装, 同时使用BEISIT的格兰头时电缆可获得更好的保护效果。
Housing (bulkhead mounting).
Covered shell is suitable for surface installation, and the cable can be better protected when using BEISIT's cable gland.

型号 Series	针数 Number of contacts	额定电流 Rated Current	额定电压 Rated Voltage	接线方式 Wiring method	适配接触件 Available Contacts	适配外壳 Suitable housing & hood series
HA-003	3+PE	10A	250V	螺钉 Screws	/	H3A
HA-004	4+PE	10A	250V	螺钉 Screws	/	H3A
HA-010	10+PE	16A	250V	螺钉/冷压 Screws/Crimping/Cage Clamp	ESM/F EGM/F	H10A
HA-016	16+PE	16A	250V	螺钉/冷压 Screws/Crimping/Cage Clamp	ESM/F EGM/F	H16A
HA-032	32+PE	16A	250V	螺钉/冷压 Screws/Crimping/Cage Clamp	ESM/F EGM/F	H32A
HE-006	6+PE	16A	500V	螺钉/冷压/弹片 Screws/Crimping/Cage Clamp	ESM/F EGM/F	H6B
HE-010	10+PE	16A	500V	螺钉/冷压/弹片 Screws/Crimping/Cage Clamp	ESM/F EGM/F	H10B
HE-016	16+PE	16A	500V	螺钉/冷压/弹片 Screws/Crimping/Cage Clamp	ESM/F EGM/F	H16B
HE-024	24+PE	16A	500V	螺钉/冷压/弹片 Screws/Crimping/Cage Clamp	ESM/F EGM/F	H24B
HE-032	32+PE	16A	500V	螺钉/冷压/弹片 Screws/Crimping/Cage Clamp	ESM/F EGM/F	H32B
HE-048	48+PE	16A	500V	螺钉/冷压/弹片 Screws/Crimping/Cage Clamp	ESM/F EGM/F	H48B
HEE-010	10+PE	16A	500V	冷压 Crimping	ESM/F EGM/F	H6B
HEE-018	18+PE	16A	500V	冷压 Crimping	ESM/F EGM/F	H10B
HEE-032	32+PE	16A	500V	冷压 Crimping	ESM/F EGM/F	H16B
HEE-046	46+PE	16A	500V	冷压 Crimping	ESM/F EGM/F	H24B
HEE-064	64+PE	16A	500V	冷压 Crimping	ESM/F EGM/F	H32B
HEE-092	92+PE	16A	500V	冷压 Crimping	ESM/F EGM/F	H48B
HEEE-040	40+PE	16A	500V	冷压 Crimping	ESM/F EGM/F	H16B
HEEE-064	64+PE	16A	500V	冷压 Crimping	ESM/F EGM/F	H24B
HEEE-080	80+PE	16A	500V	冷压 Crimping	ESM/F EGM/F	H32B
HEEE-128	128+PE	16A	500V	冷压 Crimping	ESM/F EGM/F	H48B
HD-007	7+PE	10A	250V	冷压 Crimping	DSM/F DGM/F	H3A
HD-008	8	10A	-120~50V	冷压 Crimping	DSM/F DGM/F	H3A
HD-015	15+PE	10A	250V	冷压 Crimping	DSM/F DGM/F	H10A
HD-025	25+PE	10A	250V	冷压 Crimping	DSM/F DGM/F	H16A

型号 Series	针数 Number of contacts	额定电流 Rated Current	额定电压 Rated Voltage	接线方式 Wiring Method	适配接触件 Available Contacts	适配外壳 Suitable housing & hood series
HD-040	40+PE	10A	250V	冷压 Crimping	DSM/F DGM/F	H16B
HD-050	50+PE	10A	250V	冷压 Crimping	DSM/F DGM/F	H32A
HD-064	64+PE	10A	250V	冷压 Crimping	DSM/F DGM/F	H24B
HD-080	80+PE	10A	250V	冷压 Crimping	DSM/F DGM/F	H32B
HD-128	128+PE	10A	250V	冷压 Crimping	DSM/F DGM/F	H48B
HDD-024	24+PE	10A	250V	冷压 Crimping	DSM/F DGM/F	H6B
HDD-042	42+PE	10A	250V	冷压 Crimping	DSM/F DGM/F	H10B
HDD-072	72+PE	10A	250V	冷压 Crimping	DSM/F DGM/F	H16B
HDD-108	108+PE	10A	250V	冷压 Crimping	DSM/F DGM/F	H24B
HDD-144	144+PE	10A	250V	冷压 Crimping	DSM/F DGM/F	H32B
HDD-216	216+PE	10A	250V	冷压 Crimping	DSM/F DGM/F	H48B
HDDD-055	55+PE	10A	250V	冷压 Crimping	DSM/F DGM/F	H6B
HDDD-075	75+PE	10A	250V	冷压 Crimping	DSM/F DGM/F	H10B
HDDD-107	107+PE	10A	250V	冷压 Crimping	DSM/F DGM/F	H16B
HSB-006	6+PE	35A	690V	螺钉 Screws	/	H16B
HSB-012	12+PE	35A	690V	螺钉 Screws	/	H32B
HK-4/0	4+PE	80A	830V	螺钉 Screws	/	H16B
HK-4/2	4/2+PE	80/16A	830/400V	螺钉 Screws	/	H16B
HK-4/8	4/8+PE	80/16A	830/400V	螺钉 Screws	/	H24B
HQ-005	5+PE	16A	230/400V	冷压 Crimping	ESM/F EGM/F	H3A
HQ-007	7+PE	10A	400V	冷压 Crimping	DSM/F DGM/F	H3A
HQ-012	12+PE	10A	230/400V	冷压 Crimping	DSM/F DGM/F	H3A
HQ-008	8+PE	16A	500V	冷压 Crimping	ESM/F EGM/F	HC
HQ-004/2	4/2+PE	40/10A	400/690V	冷压 Crimping	CSM40/F CGM40/F DSM/F DGM/F	HC
HQ-021	21+PE	6.5A	50V	冷压 Crimping	SSM/F SGM/F	H3A

螺钉连接参数信息 Screws Connection Parameters

螺钉尺寸对应的参数 Parameters Corresponding to Screws Size

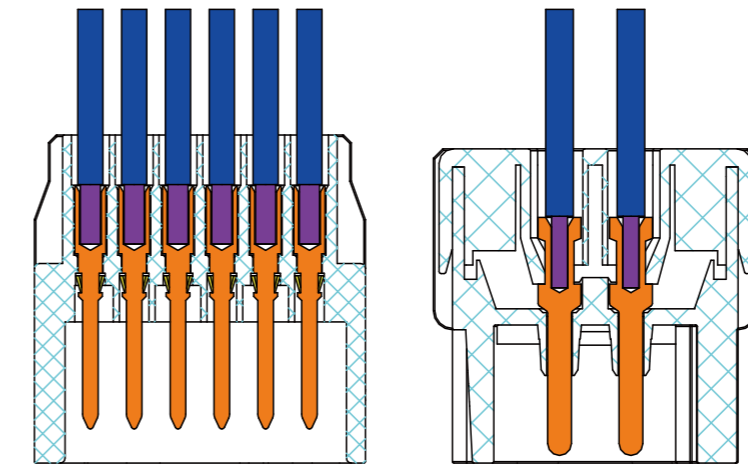
有压线保护
Wire protective sheet inside

无压线保护
No wire protective sheet

导线导体规格mm ² Wire cross-section	1.5	2.5	4	6	10	16
螺钉规格 Screws Size	M3	M3	M3.5	M4	M4	M6
测试力矩 Test torque (Nm)	0.5	0.5	0.8	1.2	1.2	1.2
最小拉脱力 Min. Pull-off force for stranded wire (N)	40	50	60	80	90	100

插芯 Inserts	电缆保护 Cable protection		最小导线导体规格 Min. wire gauge		最大导线导体规格 Max. wire gauge		剥线长度 mm Stripping length mm
	有 yes	无 no	mm ²	AWG	mm ²	AWG	
HA-003 HA-004	/	√	0.75	18	1.5	16	4.5
HA-010 HA-016 HA-032	/	√	0.75	18	2.5	14	7.5
HE-006 HE-010 HE-016 HE-024	√	/	0.75	18	2.5	14	7.5
HSB-006	√	/	1.5	16	6	10	11.5
HK-004 信号	/	√	0.5	20	2.5	14	7.5
HK-004 电力	/	√	1.5	16	16	6	14
HWK-006 信号	/	√	0.2	24	2.5	14	7.5
HWK-006 电力	/	√	1.5	16	16	6	14

冷压连接参数信息 Terminal Connection Parameter

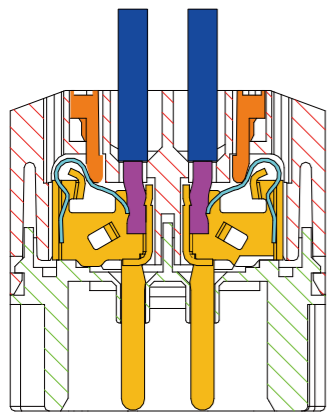


导线导体规格 Wire cross-section		16A冷压端子 ESM/F EGM/F 16A TERMINAL ESM/F EGM/F			
mm ²	AWG	HA系列插芯 HA INSERTS	HE系列插芯 HE INSERTS	HEE系列插芯 HEE INSERTS	HQ系列插芯 HQ INSERTS
		剥线长度 mm Stripping length (mm)			
0.37	22	/	/	/	/
0.5	20	7.5	7.5	7.5	7.5
0.75	18	7.5	7.5	7.5	7.5
1.0	18	7.5	7.5	7.5	7.5
1.5	16	7.5	7.5	7.5	7.5
2.5	14	7.5	7.5	7.5	7.5
4.0	12	7.5	7.5	7.5	7.5

导线导体规格 Wire cross-section		10A冷压端子 DSM/F DGM/F 10A TERMINAL DSM/F DGM/F		
mm ²	AWG	HD系列插芯 HD INSERTS	HDD系列插芯 HDD INSERTS	HQ系列插芯 HQ INSERTS
		剥线长度 mm Stripping length (mm)		
0.37	22	/	/	/
0.5	20	8	8	8
0.75	18	8	8	8
1.0	18	8	8	8
1.5	16	8	8	8
2.5	14	8	8	8

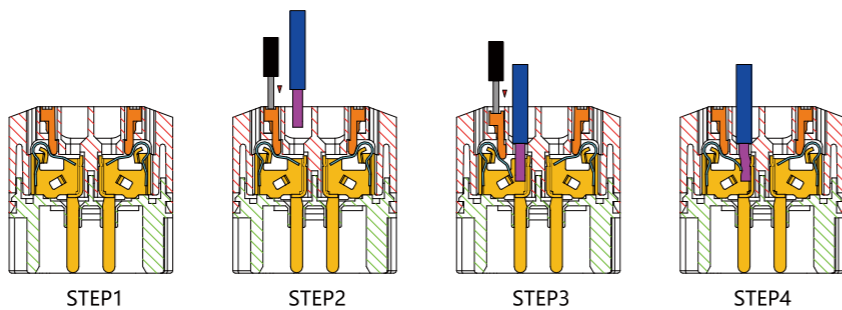
弹片连接参数信息 Cage Clamp Termination Connection and Parameter Information

弹片连接方法及对应的参数 Connection-mode and Parameter Cage-clamp terminal



弹片端子接线方法
Cage Clamp Termination Connection-mode

使用头部宽度小于3mm的螺丝刀 Use a screwdriver with a head width less than 3mm



插芯 Insert	线导体规格 Wire cross-section		剥线长度mm Stripping length(mm)
	mm ²	AWG	
HE-006	0.14-2.5	26-14	7-9
HE-010	0.14-2.5	26-14	7-9
HE-016	0.14-2.5	26-14	7-9
HE-024	0.14-2.5	26-14	7-9



HA系列技术特性

HA technical Characteristics



插芯 Inserts 可与框架及其他所有模块产品组合使用 Combination with hinged frame and other modules possible.

技术参数 Technical Characteristics

规范	Specifications	DIN EN 60 664 / DIN EN 61 984
插芯	Inserts	
接插件针数	Number Of Contacts	3,4,10,16,32(2x16)+PE
HA-003/004额定电流 (见负载图)	HA-003/004 Rated current (see current carrying capacity)	10A
HA-010/016 污染等级2时	Pollution degree 2	16A 230/400V 4KV
HA-010/016 额定电流 (见负载图)	HA-010/016 Rated current (see current carrying capacity)	16A
额定电压	Rated Voltage	250V
额定脉冲电压	Rated Impulse Voltage	4KV
污染程度	Pollution Degree	3
绝缘电阻	Insulation Resistance	$\geq 10^{10}\Omega$
材料	Material	聚碳酸酯 Polycarbonate
工作温度范围	Limiting Temperatures	-40℃...+125℃
依据UL 94的阻燃等级	Flammability Acc. To UI94	V0
据UL/CSA额定电压	Rated voltage acc.to UL/CSA	600V
可拔插次数	Mechanical Working Life-mating Cycles	≥ 500
插针	Contacts	
材料	Material	铜合金 Copper Alloy
表面处理	Surface	镀银/镀金 Hard silver-plated Hard gold-plated
接触电阻	Contact Resistance	$\leq 1m\Omega$ or $3m\Omega$
螺钉连接	Screw terminal	
导线规格	Wire gauge	0.75-1.5mm ² AWG 18-16(HA-003/004) 0.75-2.5mm ² AWG 18-14(HA-010/016)
拧紧力矩	Tightening Torque	0.25N.m(HA-003/004) or 0.5N.m(HA-010/016)
冷压连接	Crimp terminal	
导线规格	Wire gauge	0.14-4.0mm ² AWG 26-12

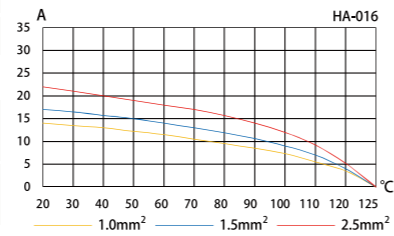
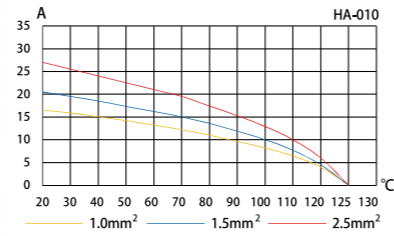
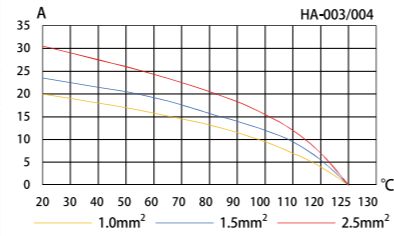
电流负载能力

Current Carrying Capacity

电流负载能力所受的限制主要来自包含接插针的接插体可承受的最大温度。

测试和控制过程依据 IEC 60512-3。

The current carrying is limited by maximum temperature of materials for Inserts and contacts including terminals. Measuring and testing techniques according to IEC 60512-3.



接插芯件

Contact inserts



→ HA-3/4+ ⊕

230/400V/10A Size 3A 3/4+ ⊕

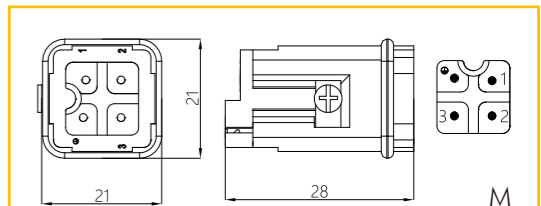
匹配 H3A 外壳系列,参见P121-123 For H3A,Hood/Housing Please Refer Page No. P121-123

Identification	Product Model	Order No.	Dimensions mm
----------------	---------------	-----------	---------------

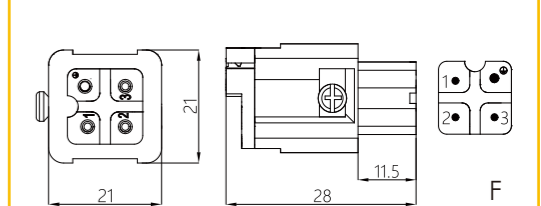
螺钉连接/Screw termination



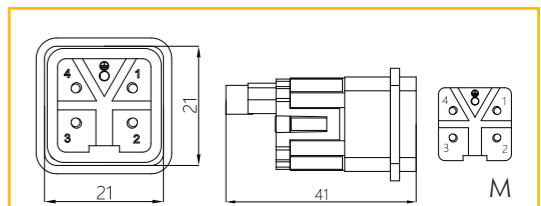
HA-003-M 1 007 03 0000001



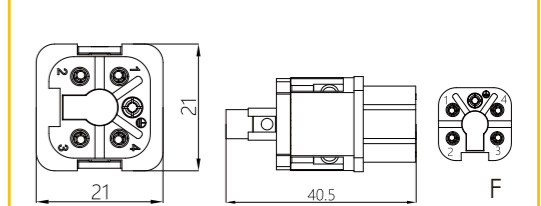
HA-003-F 1 007 03 0000002



HA-004-M 1 007 03 0000003



HA-004-F 1 007 03 0000004



接插芯件

Contact inserts

BEISIT®

→ HA-10+ ⊕

250V/16A Size 10A 10+ ⊕


匹配 H10A 外壳系列,参见P124-125 For H10A,Hood/Housing Please Refer Page No. P124-125

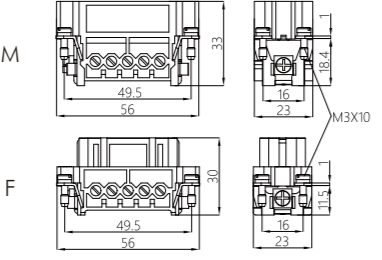
Identification	Product Model	Order No.	Product Model	Order No.
----------------	---------------	-----------	---------------	-----------

螺钉连接/Screw termination

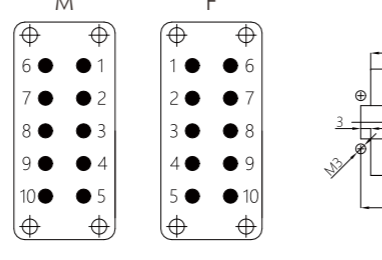
Product Model	Order No.	Product Model	Order No.
HA-010-M	1 007 03 0000005	HA-010-F	1 007 03 0000006

Dimensions mm

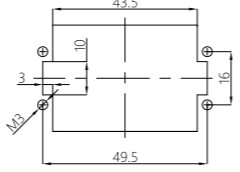




M



F



面板安装开孔图
Panel cut out for inserts
for use without hoods/housings


接插体之间最大距离24mm
Distance for contact max.24mm

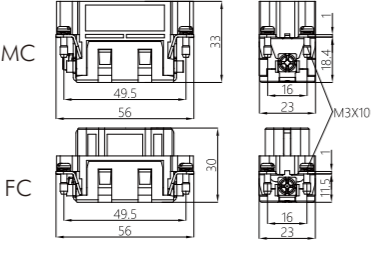
接插体排序
Contacts arrangement view
from termination side

冷压连接/Crimp termination

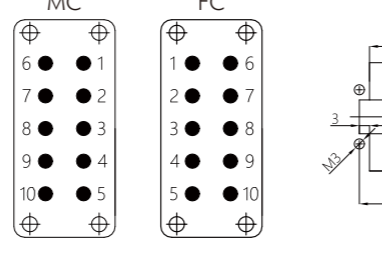
Product Model	Order No.	Product Model	Order No.
HA-010-MC	1 007 03 0000007	HA-010-FC	1 007 03 0000008

Dimensions mm

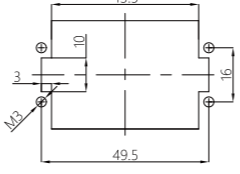




MC



FC



面板安装开孔图
Panel cut out for inserts
for use without hoods/housings

接插体之间最大距离24mm
Distance for contact max.24mm

接插体排序
Contacts arrangement view
from termination side

附件 Accessories

接触电阻 ≤ 1 mΩ / Contact resistance ≤ 1 mΩ

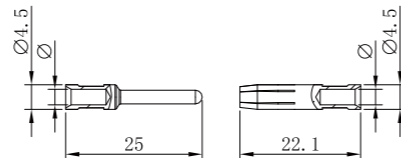
镀银 silver plated

16A冷压针孔

Inserts	Product Model	Order No.	Inserts	Product Model	Order No.
Male	ESM-0.37	1 007 06 0000021	Female	ESF-0.37	1 007 07 0000021
	ESM-0.5	1 007 06 0000022		ESF-0.5	1 007 07 0000022
	ESM-0.75	1 007 06 0000023		ESF-0.75	1 007 07 0000023
	ESM-1.0	1 007 06 0000024		ESF-1.0	1 007 07 0000024
	ESM-1.5	1 007 06 0000025		ESF-1.5	1 007 07 0000025
	ESM-2.5	1 007 06 0000026		ESF-2.5	1 007 07 0000026
	ESM-4.0	1 007 06 0000027		ESF-4.0	1 007 07 0000027

镀金 gold plated

Inserts	Product Model	Order No.	Inserts	Product Model	Order No.
Male	EGM-0.37	1 007 06 0000028	Female	EGF-0.37	1 007 07 0000028
	EGM-0.5	1 007 06 0000029		EGF-0.5	1 007 07 0000029
	EGM-0.75	1 007 06 0000030		EGF-0.75	1 007 07 0000030
	EGM-1.0	1 007 06 0000031		EGF-1.0	1 007 07 0000031
	EGM-1.5	1 007 06 0000032		EGF-1.5	1 007 07 0000032
	EGM-2.5	1 007 06 0000033		EGF-2.5	1 007 07 0000033
	EGM-4.0	1 007 06 0000034		EGF-4.0	1 007 07 0000034



Marking	Wire gauge	Stripping length	
no groove	0.14-0.37 mm ²	AWG 26-22	7.5 mm
no groove	0.5 mm ²	AWG 20	7.5 mm
1 no groove	0.75 mm ²	AWG 18	7.5 mm
1 no groove	1 mm ²	AWG 18	7.5 mm
2 no grooves	1.5 mm ²	AWG 16	7.5 mm
3 no grooves	2.5 mm ²	AWG 14	7.5 mm
wide groove	3 mm ²	AWG 12	7.5 mm
no groove	4 mm ²	AWG 12	7.5 mm

接插芯件

Contact inserts

BEISIT®

→ HA-16+ ⊕

250V/16A Size 16A 16+ ⊕


匹配 H16A 外壳系列,参见P126-127 For H16A,Hood/Housing Please Refer Page No. P126-127

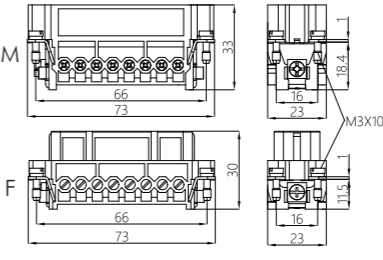
Identification	Product Model	Order No.	Product Model	Order No.
----------------	---------------	-----------	---------------	-----------

螺钉连接/Screw termination

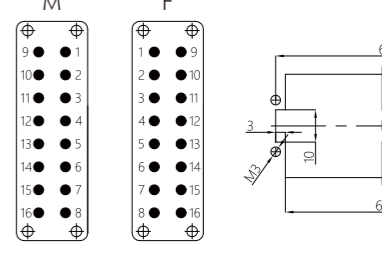
Product Model	Order No.	Product Model	Order No.
HA-016-M	1 007 03 0000009	HA-016-F	1 007 03 0000010

Dimensions mm

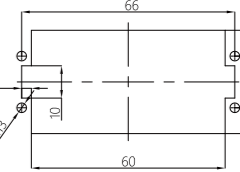




M



F



面板安装开孔图
Panel cut out for inserts
for use without hoods/housings


接插体之间最大距离24mm
Distance for contact max.24mm

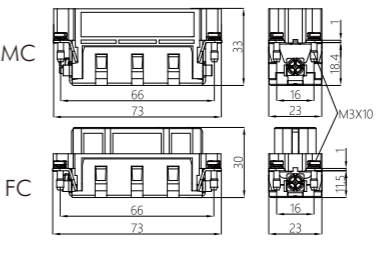
接插体排序
Contacts arrangement view
from termination side

冷压连接/Crimp termination

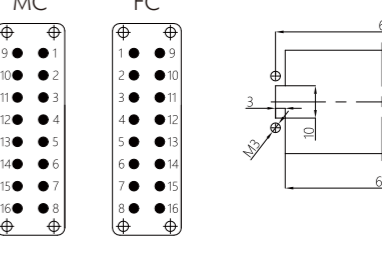
Product Model	Order No.	Product Model	Order No.
HA-016-MC	1 007 03 0000011	HA-016-FC	1 007 03 0000012

Dimensions mm

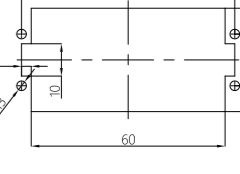




MC



FC



面板安装开孔图
Panel cut out for inserts
for use without hoods/housings

接插体之间最大距离24mm
Distance for contact max.24mm

接插体排序
Contacts arrangement view
from termination side

附件 Accessories

接触电阻 ≤ 1 mΩ / Contact resistance ≤ 1 mΩ

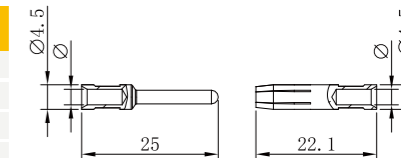
镀银 silver plated

16A冷压针孔

Inserts	Product Model	Order No.	Inserts	Product Model	Order No.
Male	ESM-0.37	1 007 06 0000021	Female	ESF-0.37	1 007 07 0000021
	ESM-0.5	1 007 06 0000022		ESF-0.5	1 007 07 0000022
	ESM-0.75	1 007 06 0000023		ESF-0.75	1 007 07 0000023
	ESM-1.0	1 007 06 0000024		ESF-1.0	1 007 07 0000024
	ESM-1.5	1 007 06 0000025		ESF-1.5	1 007 07 0000025
	ESM-2.5	1 007 06 0000026		ESF-2.5	1 007 07 0000026
	ESM-4.0	1 007 06 0000027		ESF-4.0	1 007 07 0000027

镀金 gold plated

Inserts	Product Model	Order No.	Inserts	Product Model	Order No.
Male	EGM-0.37	1 007 06 0000028	Female	EGF-0.37	1 007 07 0000028
	EGM-0.5	1 007 06 0000029		EGF-0.5	1 007 07 0000029
	EGM-0.75	1 007 06 0000030		EGF-0.75	1 007 07 0000030
	EGM-1.0	1 007 06 0000031		EGF-1.0	1 007 07 0000031
	EGM-1.5	1 007 06 0000032		EGF-1.5	1 007 07 0000032
	EGM-2.5	1 007 06 0000033		EGF-2.5	1 007 07 0000033
	EGM-4.0	1 007 06 0000034		EGF-4.0	1 007 07 0000034



Marking	Wire gauge	Stripping length	
no groove	0.14-0.37 mm ²	AWG 26-22	7.5 mm
no groove	0.5 mm ²	AWG 20	7.5 mm
1 no groove	0.75 mm ²	AWG 18	7.5 mm
1 no groove	1 mm ²	AWG 18	7.5 mm
2 no grooves	1.5 mm ²	AWG 16	7.5 mm
3 no grooves	2.5 mm ²	AWG 14	7.5 mm
wide groove	3 mm ²	AWG 12	7.5 mm
no groove	4 mm ²	AWG 12	7.5 mm

接插芯件

Contact inserts



→ HA-32+ ⊕

250V/16A Size 32A 32+ ⊕

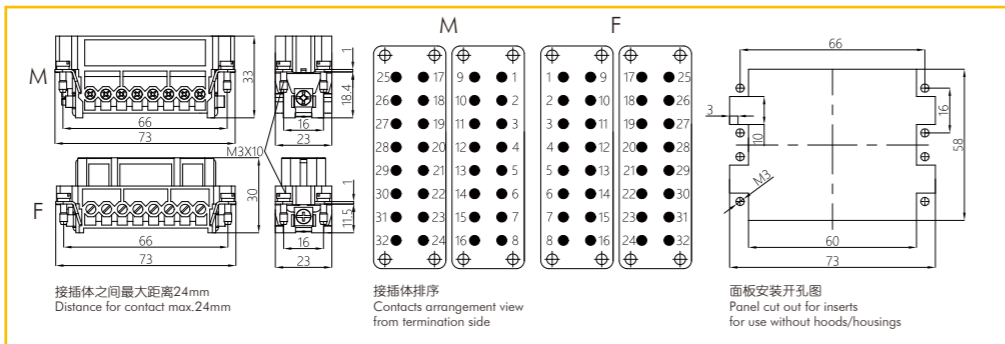
匹配 H32A 外壳系列, 参见P128-129 For H32A,Hood/Housing Please Refer Page No. P128-129

Identification	Product Model	Order No.	Product Model	Order No.
----------------	---------------	-----------	---------------	-----------

螺钉连接/Screw termination

HA-016-M	1 007 03 0000009	HA-016-F	1 007 03 0000010
HA-032-M(17-32)	1 007 03 0000013	HA-032-F(17-32)	1 007 03 0000014

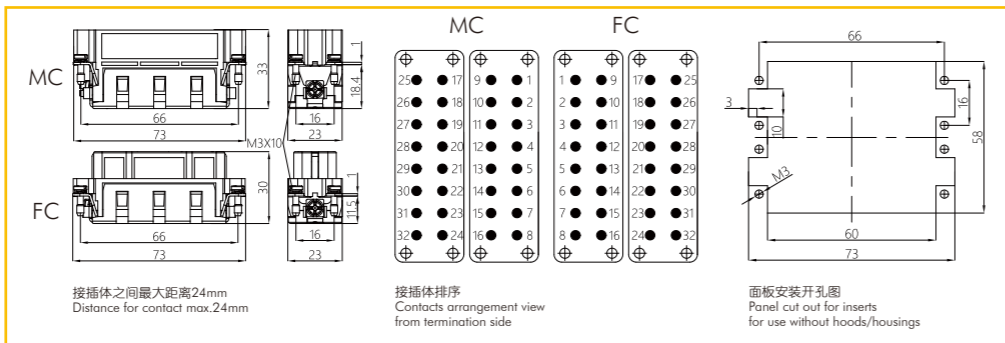
Dimensions mm



冷压连接/Crimp termination

HA-016-MC	1 007 03 0000011	HA-016-FC	1 007 03 0000012
HA-032-MC(17-32)	1 007 03 0000015	HA-032-FC(17-32)	1 007 03 0000016

Dimensions mm



附件 Accessories

接触电阻 ≤ 1 mΩ / Contact resistance ≤ 1 mΩ

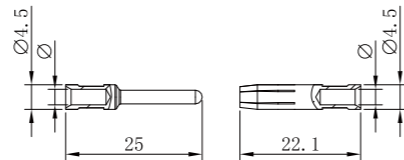
镀银 silver plated

16A冷压针孔

Inserts	Product Model	Order No.	Inserts	Product Model	Order No.
Male	ESM-0.37	1 007 06 0000021	Female	ESF-0.37	1 007 07 0000021
	ESM-0.5	1 007 06 0000022		ESF-0.5	1 007 07 0000022
	ESM-0.75	1 007 06 0000023		ESF-0.75	1 007 07 0000023
	ESM-1.0	1 007 06 0000024		ESF-1.0	1 007 07 0000024
	ESM-1.5	1 007 06 0000025		ESF-1.5	1 007 07 0000025
	ESM-2.5	1 007 06 0000026		ESF-2.5	1 007 07 0000026
	ESM-4.0	1 007 06 0000027		ESF-4.0	1 007 07 0000027

镀金 gold plated

Inserts	Product Model	Order No.	Inserts	Product Model	Order No.
Male	EGM-0.37	1 007 06 0000028	Female	EGF-0.37	1 007 07 0000028
	EGM-0.5	1 007 06 0000029		EGF-0.5	1 007 07 0000029
	EGM-0.75	1 007 06 0000030		EGF-0.75	1 007 07 0000030
	EGM-1.0	1 007 06 0000031		EGF-1.0	1 007 07 0000031
	EGM-1.5	1 007 06 0000032		EGF-1.5	1 007 07 0000032
	EGM-2.5	1 007 06 0000033		EGF-2.5	1 007 07 0000033
	EGM-4.0	1 007 06 0000034		EGF-4.0	1 007 07 0000034



Marking	Wire gauge	Stripping length
no groove	0.14-0.37 mm ²	AWG 26-22
no groove	0.5 mm ²	AWG 20
1 no groove	0.75 mm ²	AWG 18
1 no groove	1 mm ²	AWG 18
2 no grooves	1.5 mm ²	AWG 16
3 no grooves	2.5 mm ²	AWG 14
wide groove	3 mm ²	AWG 12
no groove	4 mm ²	AWG 12

HE系列技术特性

HE technical Characteristics



插芯 Inserts 可与框架及其他所有模块产品组合使用 Combination with hinged frame and other modules possible.

技术参数 Technical Characteristics

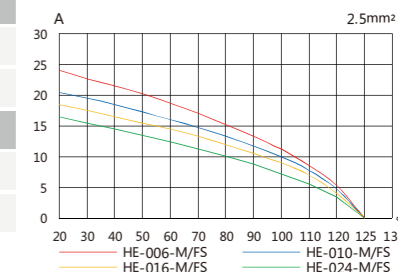
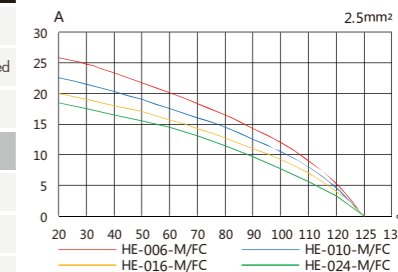
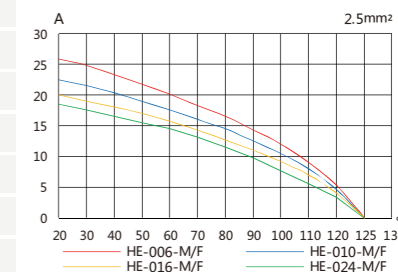
规范	Specifications	DIN EN 60 664 / DIN EN 61 984
插芯	Inserts	
接插件针数	Number Of Contacts	6,10,16,24,32(2x16),48(2x24)+PE
额定电流 (见负载图)	Rated current (see current carrying capacity)	16A
额定电压	Rated Voltage	500V
额定脉冲电压	Rated Impulse Voltage	6KV
污染程度	Pollution Degree	3
绝缘电阻	Insulation Resistance	≥10 ¹⁰ Ω
材料	Material	聚碳酸酯 Polycarbonate
工作温度范围	Limiting Temperatures	-40°C...+125°C
依据UL 94的阻燃等级	Flammability Acc. To UI94	V0
据UL/CSA额定电压	Rated voltage acc.to UL/CSA	600V
可拔插次数	Mechanical Working Life-mating Cycles	≥500
插针	Contacts	
材料	Material	铜合金 Copper Alloy
表面处理	Surface	镀银/镀金 Hard silver-plated Hard gold-plated
接触电阻	Contact Resistance	≤1mΩ
螺钉连接	Screw terminal	
导线规格	Wire gauge	1.0-2.5mm ² AWG 18-14
螺钉拧紧力矩	Screw terminal tightening	0.5N.m
剥线长度	Stripping length	7.0mm
冷压连接	Crimp terminal	
导线规格	Wire gauge	0.14-4.0mm ² AWG 26-12
剥线长度	Stripping length	7.0mm
弹片连接	Spring terminal	
导线规格	Wire gauge	0.14-2.5mm ² AWG 26-14
剥线长度	Stripping length	7-9mm

电流负载能力

Current Carrying Capacity

电流负载能力所受的限制主要来自包含接插针的接插体可承受的最大温度。测试和控制过程依据 IEC 60512-3。

The current carrying is limited by maximum temperature of materials for Inserts and contacts including terminals. Measuring and testing techniques according to IEC 60512-3.



接插芯件
Contact inserts



→ HE-6+

500V/16A Size 6B 6+

匹配 H6B 外壳系列,参见P130-132 For H6B,Hood/Housing Please Refer Page No. P130-132

Identification	Product Model	Order No.	Product Model	Order No.
----------------	---------------	-----------	---------------	-----------

冷压连接/Crimp termination

Product Model	Order No.	Product Model	Order No.
HE-006-MC	1 007 03 0000017	HE-006-FC	1 007 03 0000018

Dimensions mm

接插体之间最大距离21mm
Distance for contact max.21mm

接插体排序
Contacts arrangement view from termination side

面板安装开孔图
Panel cut out for inserts for use without hoods/housings

附件 Accessories

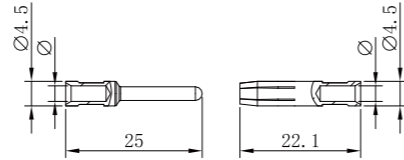
接触电阻 ≤ 1 mΩ / Contact resistance ≤ 1 mΩ

镀银 silver plated

16A冷压针孔



Inserts	Product Model	Order No.	Inserts	Product Model	Order No.
Male	ESM-0.37	1 007 06 0000021	Female	ESF-0.37	1 007 07 0000021
	ESM-0.5	1 007 06 0000022		ESF-0.5	1 007 07 0000022
	ESM-0.75	1 007 06 0000023		ESF-0.75	1 007 07 0000023
	ESM-1.0	1 007 06 0000024		ESF-1.0	1 007 07 0000024
	ESM-1.5	1 007 06 0000025		ESF-1.5	1 007 07 0000025
	ESM-2.5	1 007 06 0000026		ESF-2.5	1 007 07 0000026
ESM-4.0	1 007 06 0000027	ESF-4.0	1 007 07 0000027		



Marking	Wire gauge	Stripping length	
no groove	0.14-0.37 mm ²	AWG 26-22	7.5 mm
no groove	0.5 mm ²	AWG 20	7.5 mm
1 no groove	0.75 mm ²	AWG 18	7.5 mm
1 no groove	1 mm ²	AWG 18	7.5 mm
2 no grooves	1.5 mm ²	AWG 16	7.5 mm
3 no grooves	2.5 mm ²	AWG 14	7.5 mm
wide groove	3 mm ²	AWG 12	7.5 mm
no groove	4 mm ²	AWG 12	7.5 mm

镀金 gold plated



Inserts	Product Model	Order No.	Inserts	Product Model	Order No.
Male	EGM-0.37	1 007 06 0000028	Female	EGF-0.37	1 007 07 0000028
	EGM-0.5	1 007 06 0000029		EGF-0.5	1 007 07 0000029
	EGM-0.75	1 007 06 0000030		EGF-0.75	1 007 07 0000030
	EGM-1.0	1 007 06 0000031		EGF-1.0	1 007 07 0000031
	EGM-1.5	1 007 06 0000032		EGF-1.5	1 007 07 0000032
	EGM-2.5	1 007 06 0000033		EGF-2.5	1 007 07 0000033
	EGM-4.0	1 007 06 0000034		EGF-4.0	1 007 07 0000034

接插芯件
Contact inserts



→ HE-6+

500V/16A Size 6B 6+

匹配 H6B 外壳系列,参见P130-132 For H6B,Hood/Housing Please Refer Page No. P130-132

Identification	Product Model	Order No.	Product Model	Order No.
----------------	---------------	-----------	---------------	-----------

螺钉连接/Screw termination

Product Model	Order No.	Product Model	Order No.
HE-006-M	1 007 03 0000019	HE-006-F	1 007 03 0000020

Dimensions mm

接插体之间最大距离21mm
Distance for contact max.21mm

接插体排序
Contacts arrangement view from termination side

面板安装开孔图
Panel cut out for inserts for use without hoods/housings

弹片连接/Spring termination

Product Model	Order No.	Product Model	Order No.
HE-006-MS	1 007 03 0000021	HE-006-FS	1 007 03 0000022

Dimensions mm

接插体之间最大距离21mm
Distance for contact max.21mm

接插体排序
Contacts arrangement view from termination side

面板安装开孔图
Panel cut out for inserts for use without hoods/housings



Product introduction

Contact inserts

Housing

Tools

Technical guidance

Index

Product introduction

Contact inserts

Housing

Tools

Technical guidance

Index

接插芯件

Contact inserts

→ HE-10+

500V/16A Size 10B 10+

匹配 H10B 外壳系列,参见P133-141 For H10B,Hood/Housing Please Refer Page No. P133-141

Identification	Product Model	Order No.	Product Model	Order No.
----------------	---------------	-----------	---------------	-----------

冷压连接/Crimp termination

Product Model	Order No.	Product Model	Order No.
HE-010-MC	1 007 03 0000023	HE-010-FC	1 007 03 0000024

Dimensions mm

接插体之间最大距离21mm
Distance for contact max.21mm

接插体排序
Contacts arrangement view from termination side

面板安装开孔图
Panel cut out for inserts for use without hoods/housings

附件 Accessories

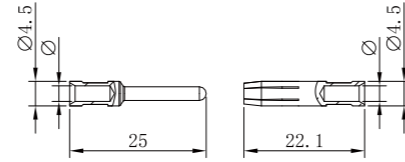
接触电阻 ≤ 1 mΩ / Contact resistance ≤ 1 mΩ

镀银 silver plated

16A冷压针孔



Inserts	Product Model	Order No.	Inserts	Product Model	Order No.
Male	ESM-0.37	1 007 06 0000021	Female	ESF-0.37	1 007 07 0000021
	ESM-0.5	1 007 06 0000022		ESF-0.5	1 007 07 0000022
	ESM-0.75	1 007 06 0000023		ESF-0.75	1 007 07 0000023
	ESM-1.0	1 007 06 0000024		ESF-1.0	1 007 07 0000024
	ESM-1.5	1 007 06 0000025		ESF-1.5	1 007 07 0000025
	ESM-2.5	1 007 06 0000026		ESF-2.5	1 007 07 0000026
ESM-4.0	1 007 06 0000027	ESF-4.0	1 007 07 0000027		



Marking	Wire gauge	Stripping length	
no groove	0.14-0.37 mm ²	AWG 26-22	7.5 mm
no groove	0.5 mm ²	AWG 20	7.5 mm
1 no groove	0.75 mm ²	AWG 18	7.5 mm
1 no groove	1 mm ²	AWG 18	7.5 mm
2 no grooves	1.5 mm ²	AWG 16	7.5 mm
3 no grooves	2.5 mm ²	AWG 14	7.5 mm
wide groove	3 mm ²	AWG 12	7.5 mm
no groove	4 mm ²	AWG 12	7.5 mm

镀金 gold plated



Inserts	Product Model	Order No.	Inserts	Product Model	Order No.
Male	EGM-0.37	1 007 06 0000028	Female	EGF-0.37	1 007 07 0000028
	EGM-0.5	1 007 06 0000029		EGF-0.5	1 007 07 0000029
	EGM-0.75	1 007 06 0000030		EGF-0.75	1 007 07 0000030
	EGM-1.0	1 007 06 0000031		EGF-1.0	1 007 07 0000031
	EGM-1.5	1 007 06 0000032		EGF-1.5	1 007 07 0000032
	EGM-2.5	1 007 06 0000033		EGF-2.5	1 007 07 0000033
	EGM-4.0	1 007 06 0000034		EGF-4.0	1 007 07 0000034

接插芯件

Contact inserts

→ HE-10+

500V/16A Size 10B 10+

匹配 H10B 外壳系列,参见P133-141 For H10B,Hood/Housing Please Refer Page No. P133-141

Identification	Product Model	Order No.	Product Model	Order No.
----------------	---------------	-----------	---------------	-----------

螺钉连接/Screw termination

Product Model	Order No.	Product Model	Order No.
HE-010-M	1 007 03 0000025	HE-010-F	1 007 03 0000026

Dimensions mm

接插体之间最大距离21mm
Distance for contact max.21mm

接插体排序
Contacts arrangement view from termination side

面板安装开孔图
Panel cut out for inserts for use without hoods/housings

弹片连接/Spring termination

Product Model	Order No.	Product Model	Order No.
HE-010-MS	1 007 03 0000027	HE-010-FS	1 007 03 0000028

Dimensions mm

接插体之间最大距离21mm
Distance for contact max.21mm

接插体排序
Contacts arrangement view from termination side

面板安装开孔图
Panel cut out for inserts for use without hoods/housings



接插芯件

Contact inserts

→ HE-16+ ⊕

500V/16A Size 16B 16+ ⊕

匹配 H16B 外壳系列,参见P142-150 For H16B,Hood/Housing Please Refer Page No. P142-150

Identification	Product Model	Order No.	Product Model	Order No.
----------------	---------------	-----------	---------------	-----------

冷压连接/Crimp termination

Product Model	Order No.	Product Model	Order No.
HE-016-MC	1 007 03 0000029	HE-016-FC	1 007 03 0000030

Dimensions mm

接插体之间最大距离21mm
Distance for contact max.21mm

接插体排序
Contacts arrangement view from termination side

面板安装开孔图
Panel cut out for inserts for use without hoods/housings

附件 Accessories

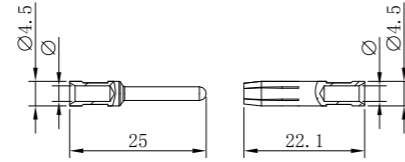
接触电阻 ≤ 1 mΩ / Contact resistance ≤ 1 mΩ

镀银 silver plated

16A冷压针孔



Inserts	Product Model	Order No.	Inserts	Product Model	Order No.
Male	ESM-0.37	1 007 06 0000021	Female	ESF-0.37	1 007 07 0000021
	ESM-0.5	1 007 06 0000022		ESF-0.5	1 007 07 0000022
	ESM-0.75	1 007 06 0000023		ESF-0.75	1 007 07 0000023
	ESM-1.0	1 007 06 0000024		ESF-1.0	1 007 07 0000024
	ESM-1.5	1 007 06 0000025		ESF-1.5	1 007 07 0000025
	ESM-2.5	1 007 06 0000026		ESF-2.5	1 007 07 0000026
ESM-4.0	1 007 06 0000027	ESF-4.0	1 007 07 0000027		



Marking	Wire gauge	Stripping length	
no groove	0.14-0.37 mm ²	AWG 26-22	7.5 mm
no groove	0.5 mm ²	AWG 20	7.5 mm
1 no groove	0.75 mm ²	AWG 18	7.5 mm
1 no groove	1 mm ²	AWG 18	7.5 mm
2 no grooves	1.5 mm ²	AWG 16	7.5 mm
3 no grooves	2.5 mm ²	AWG 14	7.5 mm
wide groove	3 mm ²	AWG 12	7.5 mm
no groove	4 mm ²	AWG 12	7.5 mm

镀金 gold plated



Inserts	Product Model	Order No.	Inserts	Product Model	Order No.
Male	EGM-0.37	1 007 06 0000028	Female	EGF-0.37	1 007 07 0000028
	EGM-0.5	1 007 06 0000029		EGF-0.5	1 007 07 0000029
	EGM-0.75	1 007 06 0000030		EGF-0.75	1 007 07 0000030
	EGM-1.0	1 007 06 0000031		EGF-1.0	1 007 07 0000031
	EGM-1.5	1 007 06 0000032		EGF-1.5	1 007 07 0000032
	EGM-2.5	1 007 06 0000033		EGF-2.5	1 007 07 0000033
	EGM-4.0	1 007 06 0000034		EGF-4.0	1 007 07 0000034

接插芯件

Contact inserts

→ HE-16+ ⊕

500V/16A Size 16B 16+ ⊕

匹配 H16B 外壳系列,参见P142-150 For H16B,Hood/Housing Please Refer Page No. P142-150

Identification	Product Model	Order No.	Product Model	Order No.
----------------	---------------	-----------	---------------	-----------

螺钉连接/Screw termination

Product Model	Order No.	Product Model	Order No.
HE-016-M	1 007 03 0000031	HE-016-F	1 007 03 0000032

Dimensions mm

接插体之间最大距离21mm
Distance for contact max.21mm

接插体排序
Contacts arrangement view from termination side

面板安装开孔图
Panel cut out for inserts for use without hoods/housings

弹片连接/Spring termination

Product Model	Order No.	Product Model	Order No.
HE-016-MS	1 007 03 0000033	HE-016-FS	1 007 03 0000034

Dimensions mm

接插体之间最大距离21mm
Distance for contact max.21mm

接插体排序
Contacts arrangement view from termination side

面板安装开孔图
Panel cut out for inserts for use without hoods/housings



接插芯件

Contact inserts

→ HE-24+ ⊕

500V/16A Size 24B 24+ ⊕

匹配 H24B 外壳系列,参见P151-159 For H24B,Hood/Housing Please Refer Page No. P151-159

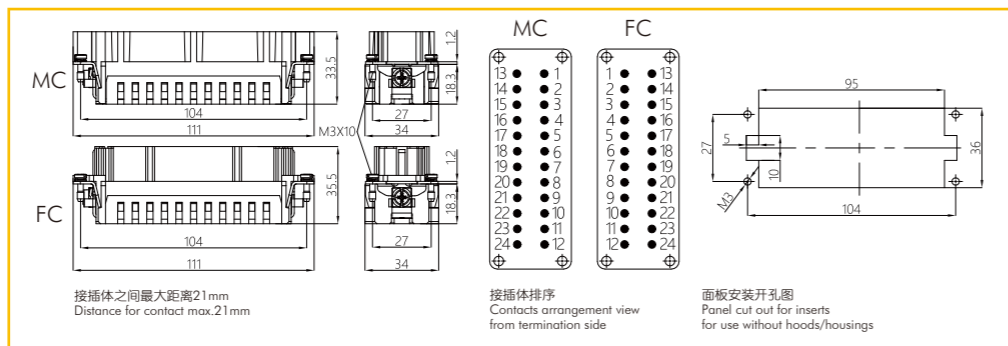
BEISIT®

Identification	Product Model	Order No.	Product Model	Order No.
----------------	---------------	-----------	---------------	-----------

冷压连接/Crimp termination

HE-024-MC	1 007 03 0000035	HE-024-FC	1 007 03 0000036
-----------	------------------	-----------	------------------

Dimensions mm



附件 Accessories

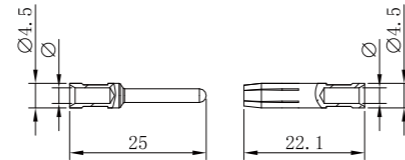
接触电阻 ≤ 1 mΩ / Contact resistance ≤ 1 mΩ

镀银 silver plated

16A冷压针孔



Inserts	Product Model	Order No.	Inserts	Product Model	Order No.
Male	ESM-0.37	1 007 06 0000021	Female	ESF-0.37	1 007 07 0000021
	ESM-0.5	1 007 06 0000022		ESF-0.5	1 007 07 0000022
	ESM-0.75	1 007 06 0000023		ESF-0.75	1 007 07 0000023
	ESM-1.0	1 007 06 0000024		ESF-1.0	1 007 07 0000024
	ESM-1.5	1 007 06 0000025		ESF-1.5	1 007 07 0000025
	ESM-2.5	1 007 06 0000026		ESF-2.5	1 007 07 0000026
ESM-4.0	1 007 06 0000027	ESF-4.0	1 007 07 0000027		



Marking	Wire gauge	Stripping length	
no groove	0.14-0.37 mm ²	AWG 26-22	7.5 mm
no groove	0.5 mm ²	AWG 20	7.5 mm
1 no groove	0.75 mm ²	AWG 18	7.5 mm
1 no groove	1 mm ²	AWG 18	7.5 mm
2 no grooves	1.5 mm ²	AWG 16	7.5 mm
3 no grooves	2.5 mm ²	AWG 14	7.5 mm
wide groove	3 mm ²	AWG 12	7.5 mm
no groove	4 mm ²	AWG 12	7.5 mm

镀金 gold plated



Inserts	Product Model	Order No.	Inserts	Product Model	Order No.
Male	EGM-0.37	1 007 06 0000028	Female	EGF-0.37	1 007 07 0000028
	EGM-0.5	1 007 06 0000029		EGF-0.5	1 007 07 0000029
	EGM-0.75	1 007 06 0000030		EGF-0.75	1 007 07 0000030
	EGM-1.0	1 007 06 0000031		EGF-1.0	1 007 07 0000031
	EGM-1.5	1 007 06 0000032		EGF-1.5	1 007 07 0000032
	EGM-2.5	1 007 06 0000033		EGF-2.5	1 007 07 0000033
	EGM-4.0	1 007 06 0000034		EGF-4.0	1 007 07 0000034

接插芯件

Contact inserts

→ HE-24+ ⊕

500V/16A Size 24B 24+ ⊕

匹配 H24B 外壳系列,参见P151-159 For H24B,Hood/Housing Please Refer Page No. P151-159

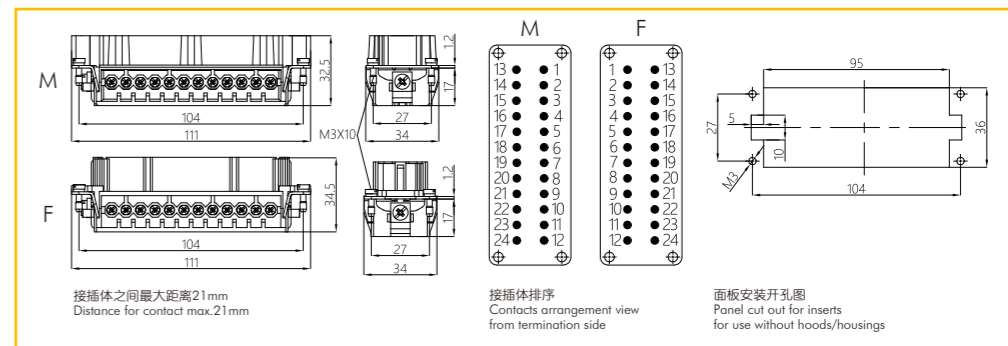
BEISIT®

Identification	Product Model	Order No.	Product Model	Order No.
----------------	---------------	-----------	---------------	-----------

螺钉连接/Screw termination

HE-024-M	1 007 03 0000037	HE-024-F	1 007 03 0000038
----------	------------------	----------	------------------

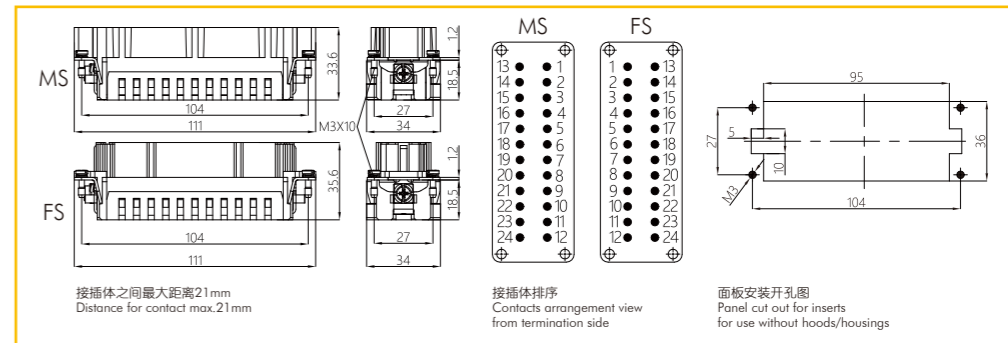
Dimensions mm



弹片连接/Spring termination

HE-024-MS	1 007 03 0000039	HE-024-FS	1 007 03 0000040
-----------	------------------	-----------	------------------

Dimensions mm



接插芯件
Contact inserts



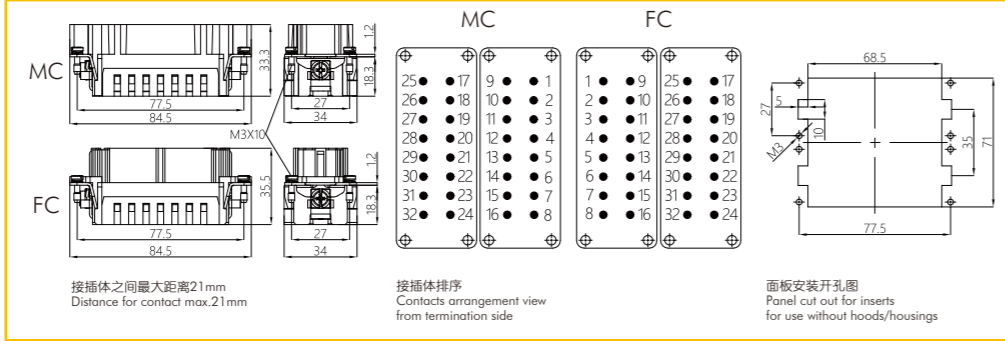
→ HE-32+ ⊕

500V/16A Size 32B 32+ ⊕
匹配 H32B 外壳系列,参见P160-163 For H32B,Hood/Housing Please Refer Page No. P160-163

Identification	Product Model	Order No.	Product Model	Order No.
----------------	---------------	-----------	---------------	-----------

冷压连接/Crimp termination	HE-016-MC	1 007 03 0000029	HE-016-FC	1 007 03 0000030
	HE-032-MC(17-32)	1 007 03 0000041	HE-032-FC(17-32)	1 007 03 0000042

Dimensions mm



附件 Accessories

接触电阻 ≤ 1 mΩ / Contact resistance ≤ 1 mΩ

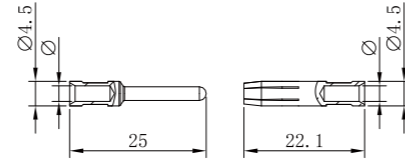
镀银 silver plated

16A冷压针孔

Inserts	Product Model	Order No.	Inserts	Product Model	Order No.
Male	ESM-0.37	1 007 06 0000021	Female	ESF-0.37	1 007 07 0000021
	ESM-0.5	1 007 06 0000022		ESF-0.5	1 007 07 0000022
	ESM-0.75	1 007 06 0000023		ESF-0.75	1 007 07 0000023
	ESM-1.0	1 007 06 0000024		ESF-1.0	1 007 07 0000024
	ESM-1.5	1 007 06 0000025		ESF-1.5	1 007 07 0000025
	ESM-2.5	1 007 06 0000026		ESF-2.5	1 007 07 0000026
ESM-4.0	1 007 06 0000027	ESF-4.0	1 007 07 0000027		

镀金 gold plated

Inserts	Product Model	Order No.	Inserts	Product Model	Order No.
Male	EGM-0.37	1 007 06 0000028	Female	EGF-0.37	1 007 07 0000028
	EGM-0.5	1 007 06 0000029		EGF-0.5	1 007 07 0000029
	EGM-0.75	1 007 06 0000030		EGF-0.75	1 007 07 0000030
	EGM-1.0	1 007 06 0000031		EGF-1.0	1 007 07 0000031
	EGM-1.5	1 007 06 0000032		EGF-1.5	1 007 07 0000032
	EGM-2.5	1 007 06 0000033		EGF-2.5	1 007 07 0000033
EGM-4.0	1 007 06 0000034	EGF-4.0	1 007 07 0000034		



Marking	Wire gauge	Stripping length	
no groove	0.14-0.37 mm ²	AWG 26-22	7.5 mm
no groove	0.5 mm ²	AWG 20	7.5 mm
1 no groove	0.75 mm ²	AWG 18	7.5 mm
1 no groove	1 mm ²	AWG 18	7.5 mm
2 no grooves	1.5 mm ²	AWG 16	7.5 mm
3 no grooves	2.5 mm ²	AWG 14	7.5 mm
wide groove	3 mm ²	AWG 12	7.5 mm
no groove	4 mm ²	AWG 12	7.5 mm

接插芯件
Contact inserts



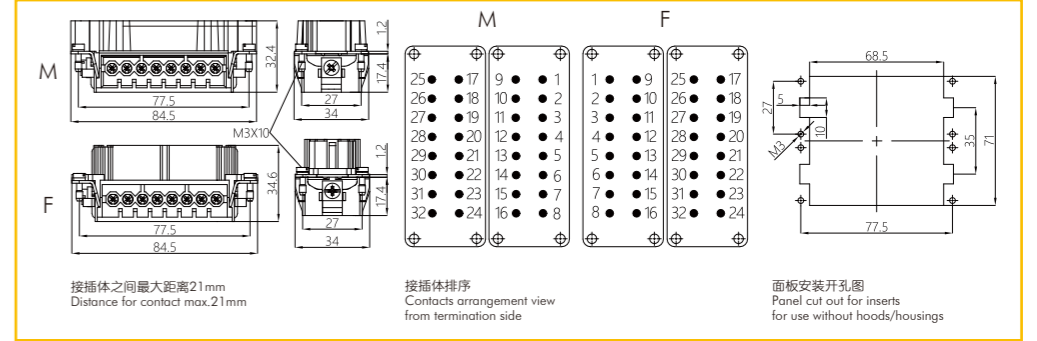
→ HE-32+ ⊕

500V/16A Size 32B 32+ ⊕
匹配 H32B 外壳系列,参见P160-163 For H32B,Hood/Housing Please Refer Page No. P160-163

Identification	Product Model	Order No.	Product Model	Order No.
----------------	---------------	-----------	---------------	-----------

螺钉连接/Screw termination	HE-016-M	1 007 03 0000031	HE-016-F	1 007 03 0000032
	HE-032-M(17-32)	1 007 03 0000043	HE-032-F(17-32)	1 007 03 0000044

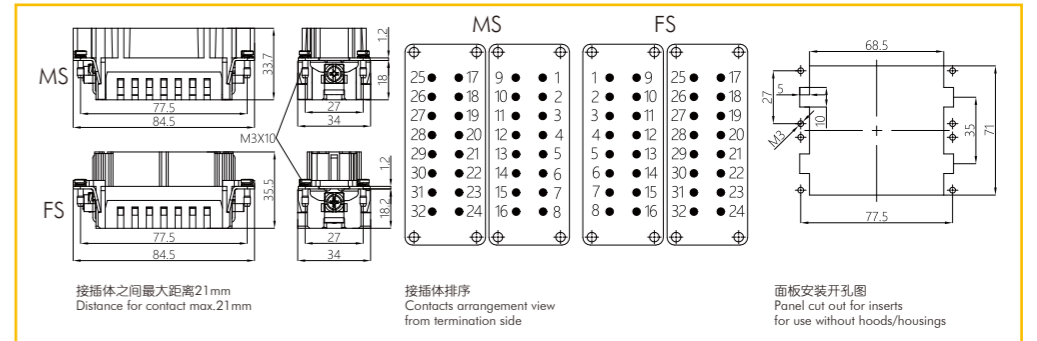
Dimensions mm



弹片连接/Spring termination


HE-016-MS	1 007 03 0000033	HE-016-FS	1 007 03 0000034
HE-032-MS(17-32)	1 007 03 0000045	HE-032-FS(17-32)	1 007 03 0000046

Dimensions mm



接插芯件

Contact inserts

→ HE-48+ 500V/16A Size 48B 48+ 

匹配 H48B 外壳系列,参见P164-165 For H48B,Hood/Housing Please Refer Page No. P164-165

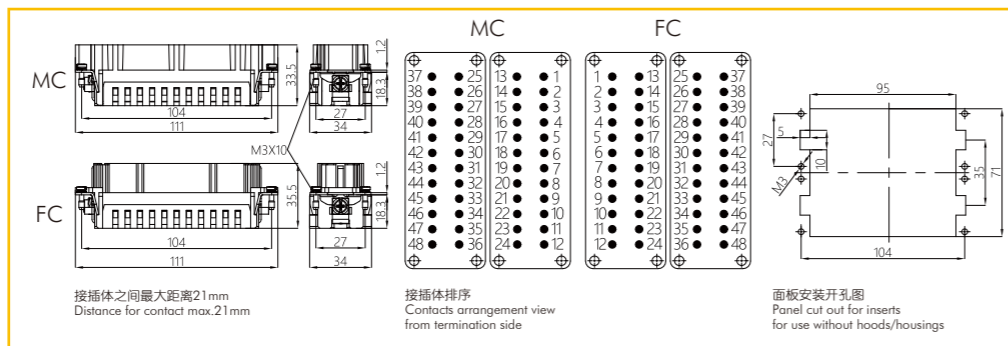
BEISIT

Identification	Product Model	Order No.	Product Model	Order No.
----------------	---------------	-----------	---------------	-----------

冷压连接/Crimp termination

HE-024-MC	1 007 03 0000035	HE-024-FC	1 007 03 0000036
HE-048-MC(25-48)	1 007 03 0000047	HE-048-FC(25-48)	1 007 03 0000048

Dimensions mm



附件 Accessories

接触电阻 $\leq 1 \text{ m}\Omega$ / Contact resistance $\leq 1 \text{ m}\Omega$

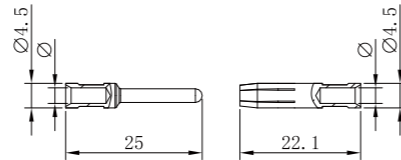
镀银 silver plated

16A冷压针孔

Inserts	Product Model	Order No.	Inserts	Product Model	Order No.
Male	ESM-0.37	1 007 06 0000021	Female	ESF-0.37	1 007 07 0000021
	ESM-0.5	1 007 06 0000022		ESF-0.5	1 007 07 0000022
	ESM-0.75	1 007 06 0000023		ESF-0.75	1 007 07 0000023
	ESM-1.0	1 007 06 0000024		ESF-1.0	1 007 07 0000024
	ESM-1.5	1 007 06 0000025		ESF-1.5	1 007 07 0000025
	ESM-2.5	1 007 06 0000026		ESF-2.5	1 007 07 0000026
ESM-4.0	1 007 06 0000027	ESF-4.0	1 007 07 0000027		

镀金 gold plated

Inserts	Product Model	Order No.	Inserts	Product Model	Order No.
Male	EGM-0.37	1 007 06 0000028	Female	EGF-0.37	1 007 07 0000028
	EGM-0.5	1 007 06 0000029		EGF-0.5	1 007 07 0000029
	EGM-0.75	1 007 06 0000030		EGF-0.75	1 007 07 0000030
	EGM-1.0	1 007 06 0000031		EGF-1.0	1 007 07 0000031
	EGM-1.5	1 007 06 0000032		EGF-1.5	1 007 07 0000032
	EGM-2.5	1 007 06 0000033		EGF-2.5	1 007 07 0000033
EGM-4.0	1 007 06 0000034	EGF-4.0	1 007 07 0000034		




Marking	Wire gauge	Stripping length	
no groove	0.14-0.37 mm ²	AWG 26-22	7.5 mm
no groove	0.5 mm ²	AWG 20	7.5 mm
1 no groove	0.75 mm ²	AWG 18	7.5 mm
1 no groove	1 mm ²	AWG 18	7.5 mm
2 no grooves	1.5 mm ²	AWG 16	7.5 mm
3 no grooves	2.5 mm ²	AWG 14	7.5 mm
wide groove	3 mm ²	AWG 12	7.5 mm
no groove	4 mm ²	AWG 12	7.5 mm



接插芯件

Contact inserts

→ HE-48+ 500V/16A Size 48B 48+ 

匹配 H48B 外壳系列,参见P164-165 For H48B,Hood/Housing Please Refer Page No. P164-165

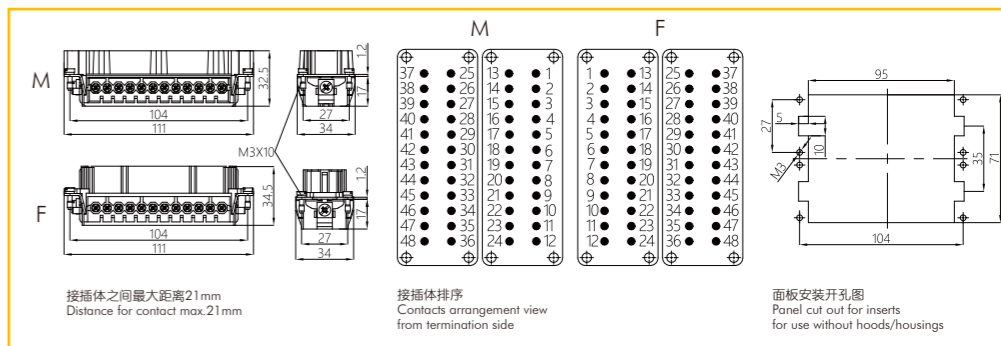
BEISIT

Identification	Product Model	Order No.	Product Model	Order No.
----------------	---------------	-----------	---------------	-----------

螺钉连接/Screw termination

HE-024-M	1 007 03 0000037	HE-024-F	1 007 03 0000038
HE-048-M(25-48)	1 007 03 0000049	HE-048-F(25-48)	1 007 03 0000050

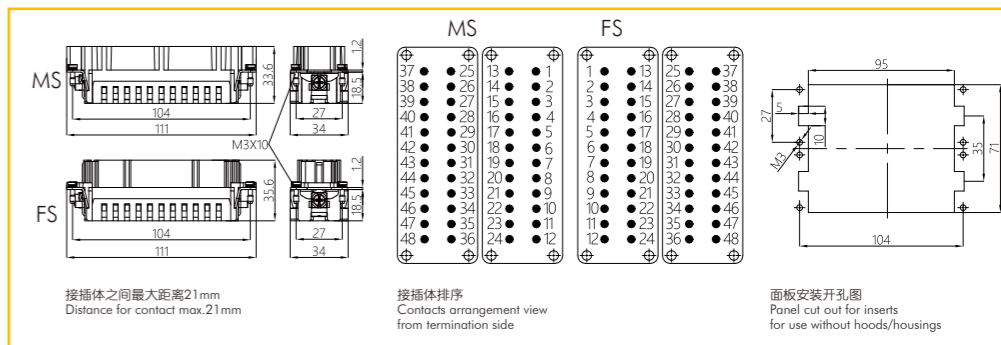
Dimensions mm



弹片连接/Spring termination

HE-024-MS	1 007 03 0000039	HE-024-FS	1 007 03 0000040
HE-048-MS(25-48)	1 007 03 0000051	HE-048-FS(25-48)	1 007 03 0000052

Dimensions mm



→ HEE系列 HEE Series

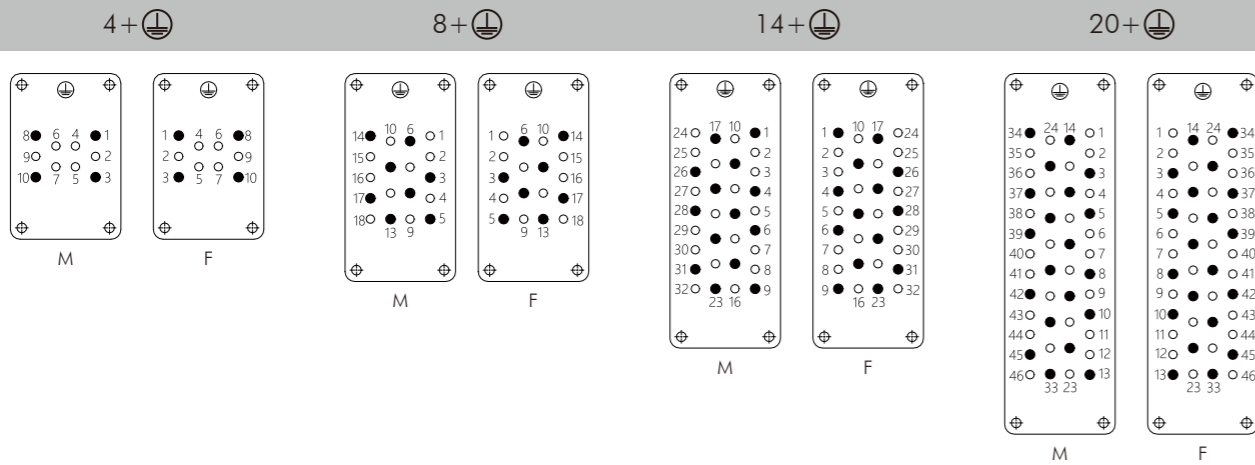
HEE调整插针分布可提高工作电压至1000V
HEE modified contact arrangement up to 1000V

HEE接插体在装满插针时，在绝缘等级3(C)时，其工作电压可达500V。但其插针分布经过调整，同样在绝缘等级3(C)时，其工作电压允许值可达1000V。
The connector series HEE equipped with all contacts maybe used for voltage upto 500V at insulation group C, but modified contact loading arrangement permits use upto 1000V at insulation group C.

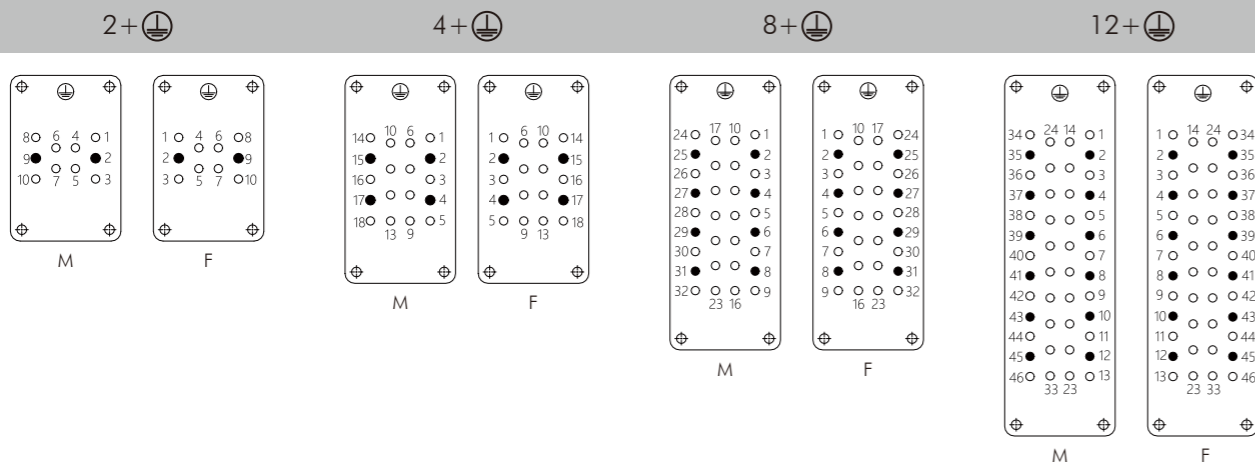
插针分布图 Contact arrangement view from termination side.

● 装有插针的插孔 Working contact ○ 不装插针的插孔 Without contact M-公接插体 Male insert F-母接插体 Female insert

690V-绝缘等级C Insulation group C



1000V-绝缘等级C Insulation group C



插芯 Inserts 可与框架及其他所有模块产品组合使用 Combination with hinged frame and other modules possible.

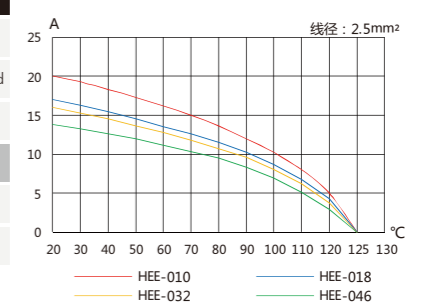
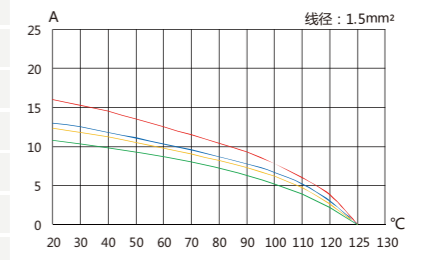
技术参数 Technical Characteristics

规范	Specifications	DIN EN 60 664 / DIN EN 61 984
插芯	Inserts	
接插件针数	Number Of Contacts	10,18,32,46,64(2x32),92(2x46)+PE
额定电流 (见负载图)	Rated current (see current carrying capacity)	16A
额定电压	Rated Voltage	500V
额定脉冲电压	Rated Impulse Voltage	6KV
污染程度	Pollution Degree	3
绝缘电阻	Insulation Resistance	≥10 ¹⁰ Ω
材料	Material	聚碳酸酯 Polycarbonate
工作温度范围	Limiting Temperatures	-40°C...+125°C
依据UL 94的阻燃等级	Flammability Acc. To UL94	V0
据UL/CSA额定电压	Rated voltage acc.to UL/CSA	600V
可拔插次数	Mechanical Working Life-mating Cycles	≥500
插针	Contacts	
材料	Material	铜合金 Copper Alloy
表面处理	Surface	镀银/镀金 Hard silver-plated Hard gold-plated
接触电阻	Contact Resistance	≤1mΩ
螺钉连接	Screw terminal	
导线规格	Wire gauge	0.14-4.0mm ² AWG 26-12
剥线长度	Stripping length	7.5mm

电流负载能力
Current Carrying Capacity

电流负载能力所受的限制主要来自包含接插针的接插体可承受的最大温度。测试和控制过程依据 IEC 60512-3。

The current carrying is limited by maximum temperature of materials for Inserts and contacts including terminals. Measuring and testing techniques according to IEC 60512-3.



接插芯件
Contact inserts



→ HEE-10+

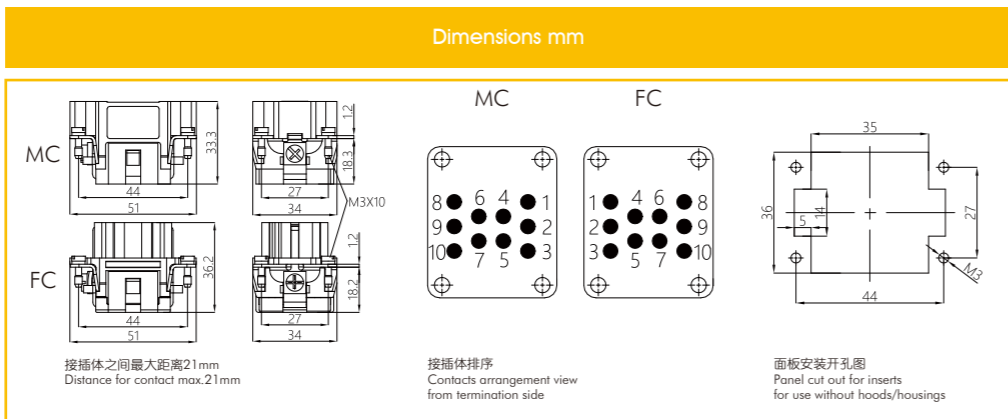
500V/16A Size 6B 10+

匹配 H6B 外壳系列,参见P130-132 For H6B,Hood/Housing Please Refer Page No. P130-132

Identification	Product Model	Order No.	Product Model	Order No.
----------------	---------------	-----------	---------------	-----------

冷压连接/Crimp termination

HEE-010-MC	1 007 03 0000053	HEE-010-FC	1 007 03 0000054
------------	------------------	------------	------------------



附件 Accessories

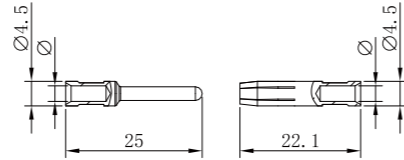
接触电阻 ≤ 1 mΩ / Contact resistance ≤ 1 mΩ

镀银 silver plated

16A冷压针孔



Inserts	Product Model	Order No.	Inserts	Product Model	Order No.
Male	ESM-0.37	1 007 06 0000021	Female	ESF-0.37	1 007 07 0000021
	ESM-0.5	1 007 06 0000022		ESF-0.5	1 007 07 0000022
	ESM-0.75	1 007 06 0000023		ESF-0.75	1 007 07 0000023
	ESM-1.0	1 007 06 0000024		ESF-1.0	1 007 07 0000024
	ESM-1.5	1 007 06 0000025		ESF-1.5	1 007 07 0000025
	ESM-2.5	1 007 06 0000026		ESF-2.5	1 007 07 0000026
	ESM-4.0	1 007 06 0000027		ESF-4.0	1 007 07 0000027



Marking	Wire gauge	Stripping length	
no groove	0.14-0.37 mm ²	AWG 26-22	7.5 mm
no groove	0.5 mm ²	AWG 20	7.5 mm
1 no groove	0.75 mm ²	AWG 18	7.5 mm
1 no groove	1 mm ²	AWG 18	7.5 mm
2 no grooves	1.5 mm ²	AWG 16	7.5 mm
3 no grooves	2.5 mm ²	AWG 14	7.5 mm
wide groove	3 mm ²	AWG 12	7.5 mm
no groove	4 mm ²	AWG 12	7.5 mm

镀金 gold plated



Inserts	Product Model	Order No.	Inserts	Product Model	Order No.
Male	EGM-0.37	1 007 06 0000028	Female	EGF-0.37	1 007 07 0000028
	EGM-0.5	1 007 06 0000029		EGF-0.5	1 007 07 0000029
	EGM-0.75	1 007 06 0000030		EGF-0.75	1 007 07 0000030
	EGM-1.0	1 007 06 0000031		EGF-1.0	1 007 07 0000031
	EGM-1.5	1 007 06 0000032		EGF-1.5	1 007 07 0000032
	EGM-2.5	1 007 06 0000033		EGF-2.5	1 007 07 0000033
	EGM-4.0	1 007 06 0000034		EGF-4.0	1 007 07 0000034



接插芯件
Contact inserts

→ HEE-18+

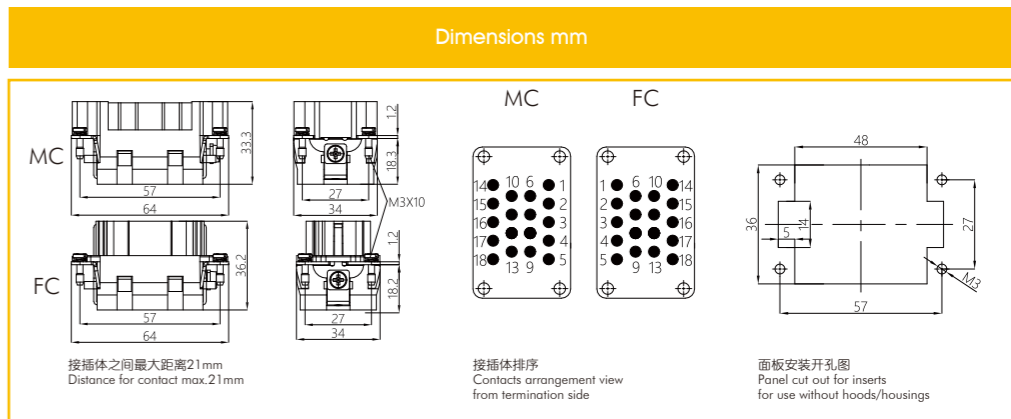
500V/16A Size 10B 18+

匹配 H10B 外壳系列,参见P133-141 For H10B,Hood/Housing Please Refer Page No. P133-141

Identification	Product Model	Order No.	Product Model	Order No.
----------------	---------------	-----------	---------------	-----------

冷压连接/Crimp termination

HEE-018-MC	1 007 03 0000055	HEE-018-FC	1 007 03 0000056
------------	------------------	------------	------------------



附件 Accessories

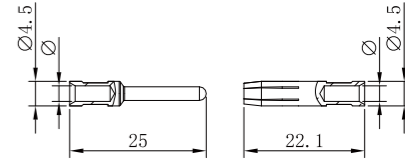
接触电阻 ≤ 1 mΩ / Contact resistance ≤ 1 mΩ

镀银 silver plated

16A冷压针孔



Inserts	Product Model	Order No.	Inserts	Product Model	Order No.
Male	ESM-0.37	1 007 06 0000021	Female	ESF-0.37	1 007 07 0000021
	ESM-0.5	1 007 06 0000022		ESF-0.5	1 007 07 0000022
	ESM-0.75	1 007 06 0000023		ESF-0.75	1 007 07 0000023
	ESM-1.0	1 007 06 0000024		ESF-1.0	1 007 07 0000024
	ESM-1.5	1 007 06 0000025		ESF-1.5	1 007 07 0000025
	ESM-2.5	1 007 06 0000026		ESF-2.5	1 007 07 0000026
	ESM-4.0	1 007 06 0000027		ESF-4.0	1 007 07 0000027



Marking	Wire gauge	Stripping length	
no groove	0.14-0.37 mm ²	AWG 26-22	7.5 mm
no groove	0.5 mm ²	AWG 20	7.5 mm
1 no groove	0.75 mm ²	AWG 18	7.5 mm
1 no groove	1 mm ²	AWG 18	7.5 mm
2 no grooves	1.5 mm ²	AWG 16	7.5 mm
3 no grooves	2.5 mm ²	AWG 14	7.5 mm
wide groove	3 mm ²	AWG 12	7.5 mm
no groove	4 mm ²	AWG 12	7.5 mm

镀金 gold plated



Inserts	Product Model	Order No.	Inserts	Product Model	Order No.
Male	EGM-0.37	1 007 06 0000028	Female	EGF-0.37	1 007 07 0000028
	EGM-0.5	1 007 06 0000029		EGF-0.5	1 007 07 0000029
	EGM-0.75	1 007 06 0000030		EGF-0.75	1 007 07 0000030
	EGM-1.0	1 007 06 0000031		EGF-1.0	1 007 07 0000031
	EGM-1.5	1 007 06 0000032		EGF-1.5	1 007 07 0000032
	EGM-2.5	1 007 06 0000033		EGF-2.5	1 007 07 0000033
	EGM-4.0	1 007 06 0000034		EGF-4.0	1 007 07 0000034

接插芯件

Contact inserts

BEISIT®

→ HEE-32+ ⊕

500V/16A Size 16B 32+ ⊕

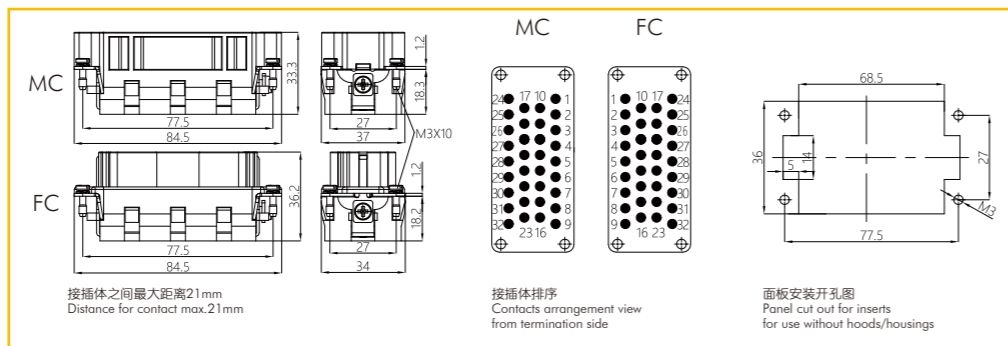
匹配 H16B 外壳系列,参见P142-150 For H16B,Hood/Housing Please Refer Page No. P142-150

Identification	Product Model	Order No.	Product Model	Order No.
----------------	---------------	-----------	---------------	-----------

冷压连接/Crimp termination

HEE-032-MC	1 007 03 0000057	HEE-032-FC	1 007 03 0000058
------------	------------------	------------	------------------

Dimensions mm



附件 Accessories

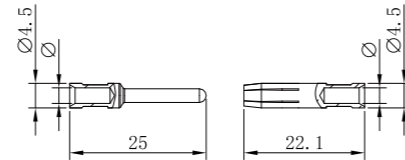
接触电阻 ≤ 1 mΩ / Contact resistance ≤ 1 mΩ

镀银 silver plated

16A冷压针孔



Inserts	Product Model	Order No.	Inserts	Product Model	Order No.
Male	ESM-0.37	1 007 06 0000021	Female	ESF-0.37	1 007 07 0000021
	ESM-0.5	1 007 06 0000022		ESF-0.5	1 007 07 0000022
	ESM-0.75	1 007 06 0000023		ESF-0.75	1 007 07 0000023
	ESM-1.0	1 007 06 0000024		ESF-1.0	1 007 07 0000024
	ESM-1.5	1 007 06 0000025		ESF-1.5	1 007 07 0000025
	ESM-2.5	1 007 06 0000026		ESF-2.5	1 007 07 0000026
	ESM-4.0	1 007 06 0000027		ESF-4.0	1 007 07 0000027



Marking	Wire gauge	Stripping length	
no groove	0.14-0.37 mm ²	AWG 26-22	7.5 mm
no groove	0.5 mm ²	AWG 20	7.5 mm
1 no groove	0.75 mm ²	AWG 18	7.5 mm
1 no groove	1 mm ²	AWG 18	7.5 mm
2 no grooves	1.5 mm ²	AWG 16	7.5 mm
3 no grooves	2.5 mm ²	AWG 14	7.5 mm
wide groove	3 mm ²	AWG 12	7.5 mm
no groove	4 mm ²	AWG 12	7.5 mm

镀金 gold plated



Inserts	Product Model	Order No.	Inserts	Product Model	Order No.
Male	EGM-0.37	1 007 06 0000028	Female	EGF-0.37	1 007 07 0000028
	EGM-0.5	1 007 06 0000029		EGF-0.5	1 007 07 0000029
	EGM-0.75	1 007 06 0000030		EGF-0.75	1 007 07 0000030
	EGM-1.0	1 007 06 0000031		EGF-1.0	1 007 07 0000031
	EGM-1.5	1 007 06 0000032		EGF-1.5	1 007 07 0000032
	EGM-2.5	1 007 06 0000033		EGF-2.5	1 007 07 0000033
	EGM-4.0	1 007 06 0000034		EGF-4.0	1 007 07 0000034

接插芯件

Contact inserts

BEISIT®

→ HEE-46+ ⊕

500V/16A Size 24B 46+ ⊕

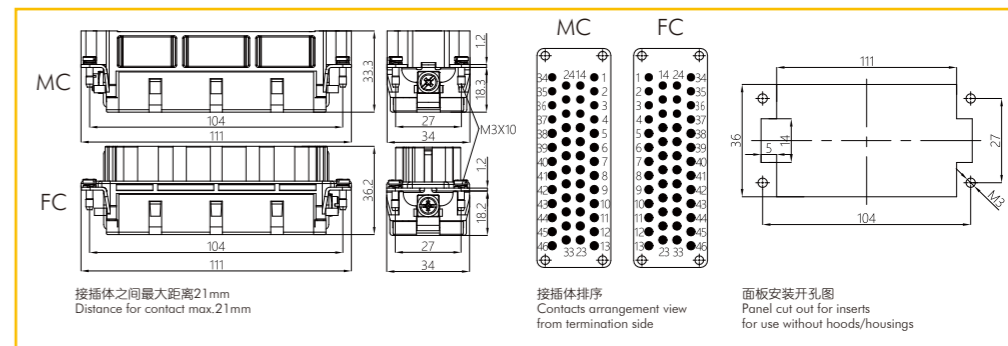
匹配 H24B 外壳系列,参见P151-159 For H24B,Hood/Housing Please Refer Page No. P151-159

Identification	Product Model	Order No.	Product Model	Order No.
----------------	---------------	-----------	---------------	-----------

冷压连接/Crimp termination

HEE-046-MC	1 007 03 0000059	HEE-046-FC	1 007 03 0000060
------------	------------------	------------	------------------

Dimensions mm



附件 Accessories

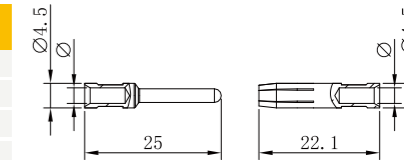
接触电阻 ≤ 1 mΩ / Contact resistance ≤ 1 mΩ

镀银 silver plated

16A冷压针孔



Inserts	Product Model	Order No.	Inserts	Product Model	Order No.
Male	ESM-0.37	1 007 06 0000021	Female	ESF-0.37	1 007 07 0000021
	ESM-0.5	1 007 06 0000022		ESF-0.5	1 007 07 0000022
	ESM-0.75	1 007 06 0000023		ESF-0.75	1 007 07 0000023
	ESM-1.0	1 007 06 0000024		ESF-1.0	1 007 07 0000024
	ESM-1.5	1 007 06 0000025		ESF-1.5	1 007 07 0000025
	ESM-2.5	1 007 06 0000026		ESF-2.5	1 007 07 0000026
	ESM-4.0	1 007 06 0000027		ESF-4.0	1 007 07 0000027



Marking	Wire gauge	Stripping length	
no groove	0.14-0.37 mm ²	AWG 26-22	7.5 mm
no groove	0.5 mm ²	AWG 20	7.5 mm
1 no groove	0.75 mm ²	AWG 18	7.5 mm
1 no groove	1 mm ²	AWG 18	7.5 mm
2 no grooves	1.5 mm ²	AWG 16	7.5 mm
3 no grooves	2.5 mm ²	AWG 14	7.5 mm
wide groove	3 mm ²	AWG 12	7.5 mm
no groove	4 mm ²	AWG 12	7.5 mm

镀金 gold plated



Inserts	Product Model	Order No.	Inserts	Product Model	Order No.
Male	EGM-0.37	1 007 06 0000028	Female	EGF-0.37	1 007 07 0000028
	EGM-0.5	1 007 06 0000029		EGF-0.5	1 007 07 0000029
	EGM-0.75	1 007 06 0000030		EGF-0.75	1 007 07 0000030
	EGM-1.0	1 007 06 0000031		EGF-1.0	1 007 07 0000031
	EGM-1.5	1 007 06 0000032		EGF-1.5	1 007 07 0000032
	EGM-2.5	1 007 06 0000033		EGF-2.5	1 007 07 0000033
	EGM-4.0	1 007 06 0000034		EGF-4.0	1 007 07 0000034

接插芯件

Contact inserts

BEISIT®

→ HEE-64+ ⊕

500V/16A Size 32B 64+ ⊕

匹配 H32B 外壳系列,参见P160-163 For H32B,Hood/Housing Please Refer Page No. P160-163

Identification	Product Model	Order No.	Product Model	Order No.
冷压连接/Crimp termination	HEE-032-MC	1 007 03 000057	HEE-032-FC	1 007 03 000058
	HEE-064-MC(33-64)	1 007 03 000061	HEE-064-FC(33-64)	1 007 03 000062

Dimensions mm		
	MC	FC
接插体之间最大距离21mm Distance for contact max.21mm	接插体排序 Contacts arrangement view from termination side	面板安装开孔图 Panel cut out for inserts for use without hoods/housings

附件 Accessories

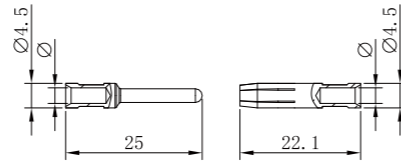
接触电阻 ≤ 1 mΩ / Contact resistance ≤ 1 mΩ

镀银 silver plated

16A冷压针孔



Inserts	Product Model	Order No.	Inserts	Product Model	Order No.
Male	ESM-0.37	1 007 06 000021	Female	ESF-0.37	1 007 07 000021
	ESM-0.5	1 007 06 000022		ESF-0.5	1 007 07 000022
	ESM-0.75	1 007 06 000023		ESF-0.75	1 007 07 000023
	ESM-1.0	1 007 06 000024		ESF-1.0	1 007 07 000024
	ESM-1.5	1 007 06 000025		ESF-1.5	1 007 07 000025
	ESM-2.5	1 007 06 000026		ESF-2.5	1 007 07 000026
	ESM-4.0	1 007 06 000027		ESF-4.0	1 007 07 000027



Marking	Wire gauge	Stripping length	
no groove	0.14-0.37 mm²	AWG 26-22	7.5 mm
no groove	0.5 mm²	AWG 20	7.5 mm
1 no groove	0.75 mm²	AWG 18	7.5 mm
1 no groove	1 mm²	AWG 18	7.5 mm
2 no grooves	1.5 mm²	AWG 16	7.5 mm
3 no grooves	2.5 mm²	AWG 14	7.5 mm
wide groove	3 mm²	AWG 12	7.5 mm
no groove	4 mm²	AWG 12	7.5 mm

镀金 gold plated



Inserts	Product Model	Order No.	Inserts	Product Model	Order No.
Male	EGM-0.37	1 007 06 000028	Female	EGF-0.37	1 007 07 000028
	EGM-0.5	1 007 06 000029		EGF-0.5	1 007 07 000029
	EGM-0.75	1 007 06 000030		EGF-0.75	1 007 07 000030
	EGM-1.0	1 007 06 000031		EGF-1.0	1 007 07 000031
	EGM-1.5	1 007 06 000032		EGF-1.5	1 007 07 000032
	EGM-2.5	1 007 06 000033		EGF-2.5	1 007 07 000033
	EGM-4.0	1 007 06 000034		EGF-4.0	1 007 07 000034

接插芯件

Contact inserts

BEISIT®

→ HEE-92+ ⊕

500V/16A Size 48B 92+ ⊕

匹配 H48B 外壳系列,参见P164-165 For H48B,Hood/Housing Please Refer Page No. P164-165

Identification	Product Model	Order No.	Product Model	Order No.
冷压连接/Crimp termination	HEE-046-MC	1 007 03 000059	HEE-046-FC	1 007 03 000060
	HEE-092-MC(47-92)	1 007 03 000063	HEE-092-FC(47-92)	1 007 03 000064

Dimensions mm		
	MC	FC
接插体之间最大距离21mm Distance for contact max.21mm	接插体排序 Contacts arrangement view from termination side	面板安装开孔图 Panel cut out for inserts for use without hoods/housings

附件 Accessories

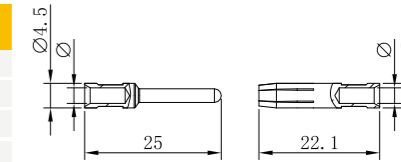
接触电阻 ≤ 1 mΩ / Contact resistance ≤ 1 mΩ

镀银 silver plated

16A冷压针孔



Inserts	Product Model	Order No.	Inserts	Product Model	Order No.
Male	ESM-0.37	1 007 06 000021	Female	ESF-0.37	1 007 07 000021
	ESM-0.5	1 007 06 000022		ESF-0.5	1 007 07 000022
	ESM-0.75	1 007 06 000023		ESF-0.75	1 007 07 000023
	ESM-1.0	1 007 06 000024		ESF-1.0	1 007 07 000024
	ESM-1.5	1 007 06 000025		ESF-1.5	1 007 07 000025
	ESM-2.5	1 007 06 000026		ESF-2.5	1 007 07 000026
	ESM-4.0	1 007 06 000027		ESF-4.0	1 007 07 000027



Marking	Wire gauge	Stripping length	
no groove	0.14-0.37 mm²	AWG 26-22	7.5 mm
no groove	0.5 mm²	AWG 20	7.5 mm
1 no groove	0.75 mm²	AWG 18	7.5 mm
1 no groove	1 mm²	AWG 18	7.5 mm
2 no grooves	1.5 mm²	AWG 16	7.5 mm
3 no grooves	2.5 mm²	AWG 14	7.5 mm
wide groove	3 mm²	AWG 12	7.5 mm
no groove	4 mm²	AWG 12	7.5 mm

镀金 gold plated



Inserts	Product Model	Order No.	Inserts	Product Model	Order No.
Male	EGM-0.37	1 007 06 000028	Female	EGF-0.37	1 007 07 000028
	EGM-0.5	1 007 06 000029		EGF-0.5	1 007 07 000029
	EGM-0.75	1 007 06 000030		EGF-0.75	1 007 07 000030
	EGM-1.0	1 007 06 000031		EGF-1.0	1 007 07 000031
	EGM-1.5	1 007 06 000032		EGF-1.5	1 007 07 000032
	EGM-2.5	1 007 06 000033		EGF-2.5	1 007 07 000033
	EGM-4.0	1 007 06 000034		EGF-4.0	1 007 07 000034

插芯 Inserts 可与框架及其他所有模块产品组合使用 Combination with hinged frame and other modules possible.

技术参数 Technical Characteristics

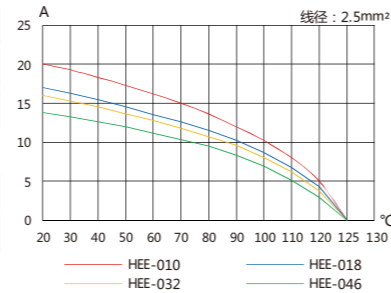
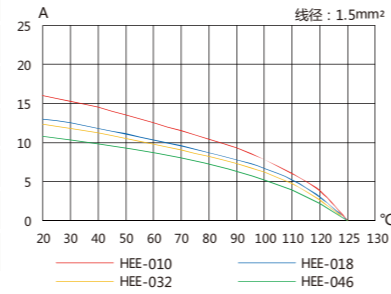
规范	Specifications	DIN EN 60 664 / DIN EN 61 984
插芯	Inserts	
接插件针数	Number Of Contacts	40,64,80(2x40),(2x46)+PE
额定电流 (见负载图)	Rated current (see current carrying capacity)	16A
额定电压	Rated Voltage	500V
额定脉冲电压	Rated Impulse Voltage	6KV
污染程度	Pollution Degree	3
绝缘电阻	Insulation Resistance	$\geq 10^{10}\Omega$
材料	Material	聚碳酸酯 Polycarbonate
工作温度范围	Limiting Temperatures	-40°C...+125°C
依据UL 94的阻燃等级	Flammability Acc. To UI94	V0
据UL/CSA额定电压	Rated voltage acc.to UL/CSA	600V
可拔插次数	Mechanical Working Life-mating Cycles	≥ 500
插针	Contacts	
材料	Material	铜合金 Copper Alloy
表面处理	Surface	镀银/镀金 Hard silver-plated Hard gold-plated
接触电阻	Contact Resistance	$\leq 1\text{m}\Omega$
螺钉连接	Screw terminal	
导线规格	Wire gauge	0.14-4.0mm ² AWG 26-12
剥线长度	Stripping length	7.5mm

电流负载能力
Current Carrying Capacity

电流负载能力所受的限制主要来自包含接插针的接插体可承受的最大温度。

测试和控制过程依据 IEC 60512-3。

The current carrying is limited by maximum temperature of materials for Inserts and contacts including terminals. Measuring and testing techniques according to IEC 60512-3.



→ HEEE-40+ ⊕

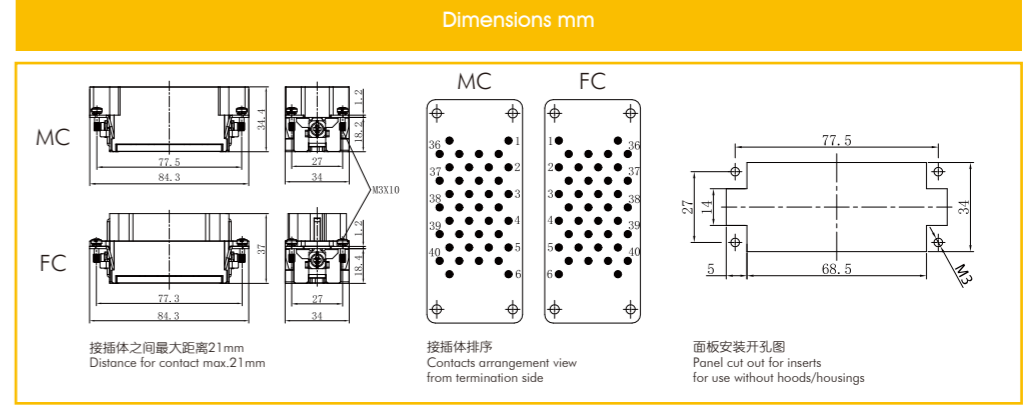
500V/16A Size 16B 40+ ⊕

匹配 H16B 外壳系列,参见P142-150 For H16B,Hood/Housing Please Refer Page No. P142-150

Identification	Product Model	Order No.	Product Model	Order No.
----------------	---------------	-----------	---------------	-----------

冷压连接/Crimp termination

HEEE-040-MC	1 007 03 0000141	HEEE-040-FC	1 007 03 0000142
-------------	------------------	-------------	------------------



附件 Accessories

接触电阻 $\leq 1\text{m}\Omega$ / Contact resistance $\leq 1\text{m}\Omega$

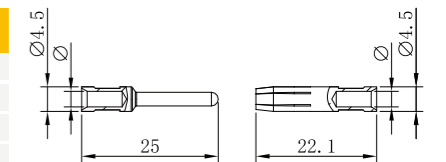
16A冷压针孔



镀银 silver plated		
Inserts	Product Model	Order No.
Male	ESM-0.37	1 007 06 0000021
	ESM-0.5	1 007 06 0000022
	ESM-0.75	1 007 06 0000023
	ESM-1.0	1 007 06 0000024
	ESM-1.5	1 007 06 0000025
	ESM-2.5	1 007 06 0000026
Female	ESF-0.37	1 007 07 0000021
	ESF-0.5	1 007 07 0000022
	ESF-0.75	1 007 07 0000023
	ESF-1.0	1 007 07 0000024
	ESF-1.5	1 007 07 0000025
	ESF-2.5	1 007 07 0000026



镀金 gold plated		
Inserts	Product Model	Order No.
Male	EGM-0.37	1 007 06 0000028
	EGM-0.5	1 007 06 0000029
	EGM-0.75	1 007 06 0000030
	EGM-1.0	1 007 06 0000031
	EGM-1.5	1 007 06 0000032
	EGM-2.5	1 007 06 0000033
Female	EGF-0.37	1 007 07 0000028
	EGF-0.5	1 007 07 0000029
	EGF-0.75	1 007 07 0000030
	EGF-1.0	1 007 07 0000031
	EGF-1.5	1 007 07 0000032
	EGF-2.5	1 007 07 0000033



Marking	Wire gauge	Stripping length
no groove	0.14-0.37 mm ²	AWG 26-22
no groove	0.5 mm ²	AWG 20
1 no groove	0.75 mm ²	AWG 18
1 no groove	1 mm ²	AWG 18
2 no grooves	1.5 mm ²	AWG 16
3 no grooves	2.5 mm ²	AWG 14
wide groove	3 mm ²	AWG 12
no groove	4 mm ²	AWG 12

接插芯件

Contact inserts

BEISIT®

→ HEEE-64+ ⊕

500V/16A Size 24B 64+ ⊕

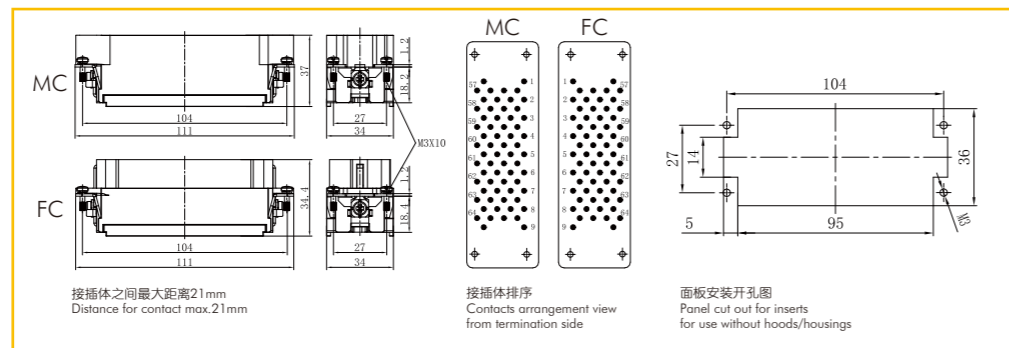
匹配 H24B 外壳系列,参见P151-159 For H24B,Hood/Housing Please Refer Page No. P151-159

Identification	Product Model	Order No.	Product Model	Order No.
----------------	---------------	-----------	---------------	-----------

冷压连接/Crimp termination

HEEE-064-MC	1 007 03 0000143	HEEE-064-FC	1 007 03 0000144
-------------	------------------	-------------	------------------

Dimensions mm



接插芯件

Contact inserts

BEISIT®

→ HEEE-80+ ⊕

500V/16A Size 32B 80+ ⊕

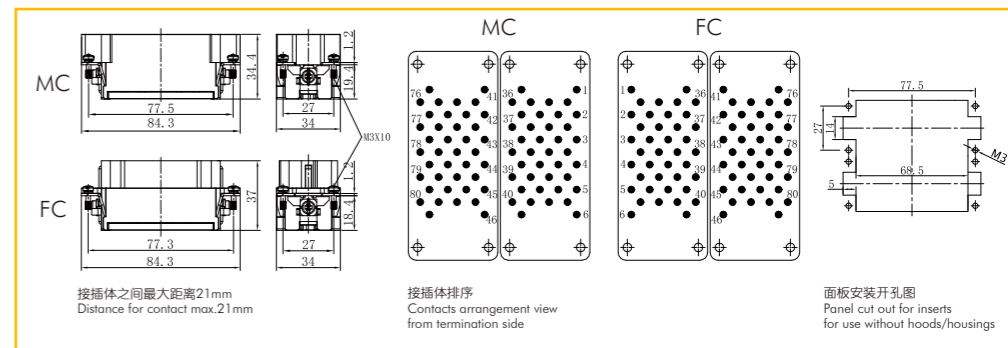
匹配 H32B 外壳系列,参见P160-163 For H32B,Hood/Housing Please Refer Page No. P160-163

Identification	Product Model	Order No.	Product Model	Order No.
----------------	---------------	-----------	---------------	-----------

冷压连接/Crimp termination

HEEE-080-MC (41-80)	1 007 03 0000145	HEEE-080-FC (41-80)	1 007 03 0000146
---------------------	------------------	---------------------	------------------

Dimensions mm



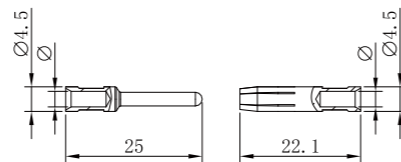
附件 Accessories

接触电阻 ≤ 1 mΩ / Contact resistance ≤ 1 mΩ

镀银 silver plated

16A冷压针孔

Inserts	Product Model	Order No.	Inserts	Product Model	Order No.
Male	ESM-0.37	1 007 06 0000021	Female	ESF-0.37	1 007 07 0000021
	ESM-0.5	1 007 06 0000022		ESF-0.5	1 007 07 0000022
	ESM-0.75	1 007 06 0000023		ESF-0.75	1 007 07 0000023
	ESM-1.0	1 007 06 0000024		ESF-1.0	1 007 07 0000024
	ESM-1.5	1 007 06 0000025		ESF-1.5	1 007 07 0000025
	ESM-2.5	1 007 06 0000026		ESF-2.5	1 007 07 0000026
	ESM-4.0	1 007 06 0000027		ESF-4.0	1 007 07 0000027



Marking	Wire gauge	Stripping length	
no groove	0.14-0.37 mm ²	AWG 26-22	7.5 mm
no groove	0.5 mm ²	AWG 20	7.5 mm
1 no groove	0.75 mm ²	AWG 18	7.5 mm
1 no groove	1 mm ²	AWG 18	7.5 mm
2 no grooves	1.5 mm ²	AWG 16	7.5 mm
3 no grooves	2.5 mm ²	AWG 14	7.5 mm
wide groove	3 mm ²	AWG 12	7.5 mm
no groove	4 mm ²	AWG 12	7.5 mm

镀金 gold plated

Inserts	Product Model	Order No.	Inserts	Product Model	Order No.
Male	EGM-0.37	1 007 06 0000028	Female	EGF-0.37	1 007 07 0000028
	EGM-0.5	1 007 06 0000029		EGF-0.5	1 007 07 0000029
	EGM-0.75	1 007 06 0000030		EGF-0.75	1 007 07 0000030
	EGM-1.0	1 007 06 0000031		EGF-1.0	1 007 07 0000031
	EGM-1.5	1 007 06 0000032		EGF-1.5	1 007 07 0000032
	EGM-2.5	1 007 06 0000033		EGF-2.5	1 007 07 0000033
	EGM-4.0	1 007 06 0000034		EGF-4.0	1 007 07 0000034

附件 Accessories

接触电阻 ≤ 1 mΩ / Contact resistance ≤ 1 mΩ

镀银 silver plated

16A冷压针孔

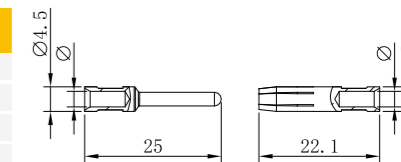
Inserts	Product Model	Order No.	Inserts	Product Model	Order No.
Male	ESM-0.37	1 007 06 0000021	Female	ESF-0.37	1 007 07 0000021
	ESM-0.5	1 007 06 0000022		ESF-0.5	1 007 07 0000022
	ESM-0.75	1 007 06 0000023		ESF-0.75	1 007 07 0000023
	ESM-1.0	1 007 06 0000024		ESF-1.0	1 007 07 0000024
	ESM-1.5	1 007 06 0000025		ESF-1.5	1 007 07 0000025
	ESM-2.5	1 007 06 0000026		ESF-2.5	1 007 07 0000026
	ESM-4.0	1 007 06 0000027		ESF-4.0	1 007 07 0000027



Marking	Wire gauge	Stripping length	
no groove	0.14-0.37 mm ²	AWG 26-22	7.5 mm
no groove	0.5 mm ²	AWG 20	7.5 mm
1 no groove	0.75 mm ²	AWG 18	7.5 mm
1 no groove	1 mm ²	AWG 18	7.5 mm
2 no grooves	1.5 mm ²	AWG 16	7.5 mm
3 no grooves	2.5 mm ²	AWG 14	7.5 mm
wide groove	3 mm ²	AWG 12	7.5 mm
no groove	4 mm ²	AWG 12	7.5 mm

镀金 gold plated

Inserts	Product Model	Order No.	Inserts	Product Model	Order No.
Male	EGM-0.37	1 007 06 0000028	Female	EGF-0.37	1 007 07 0000028
	EGM-0.5	1 007 06 0000029		EGF-0.5	1 007 07 0000029
	EGM-0.75	1 007 06 0000030		EGF-0.75	1 007 07 0000030
	EGM-1.0	1 007 06 0000031		EGF-1.0	1 007 07 0000031
	EGM-1.5	1 007 06 0000032		EGF-1.5	1 007 07 0000032
	EGM-2.5	1 007 06 0000033		EGF-2.5	1 007 07 0000033
	EGM-4.0	1 007 06 0000034		EGF-4.0	1 007 07 0000034



Marking	Wire gauge	Stripping length	
no groove	0.14-0.37 mm ²	AWG 26-22	7.5 mm
no groove	0.5 mm ²	AWG 20	7.5 mm
1 no groove	0.75 mm ²	AWG 18	7.5 mm
1 no groove	1 mm ²	AWG 18	7.5 mm
2 no grooves	1.5 mm ²	AWG 16	7.5 mm
3 no grooves	2.5 mm ²	AWG 14	7.5 mm
wide groove	3 mm ²	AWG 12	7.5 mm
no groove	4 mm ²	AWG 12	7.5 mm

接插芯件

Contact inserts

BEISIT®

→ HEEE-128+

500V/16A Size 48B 128+

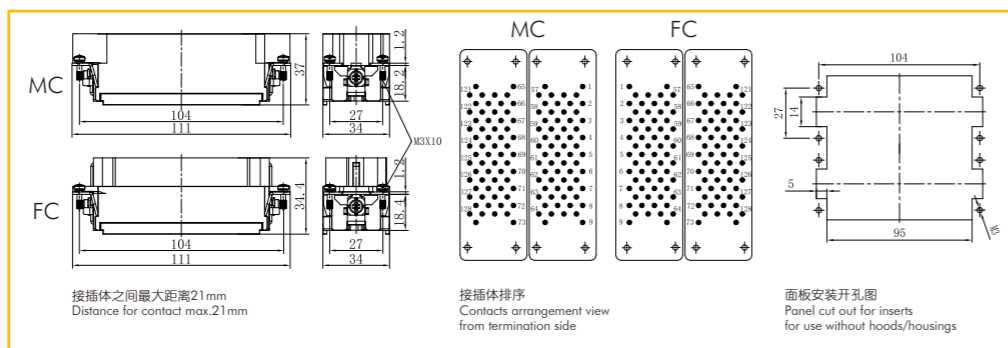
匹配 H48B 外壳系列,参见P164-165 For H48B,Hood/Housing Please Refer Page No. P164-165

Identification	Product Model	Order No.	Product Model	Order No.
----------------	---------------	-----------	---------------	-----------

冷压连接/Crimp termination

HEEE-128-MC (65-128)	1 007 03 0000147	HEEE-128-FC (65-128)	1 007 03 0000148
----------------------	------------------	----------------------	------------------

Dimensions mm



附件 Accessories

接触电阻 $\leq 1 \text{ m}\Omega$ / Contact resistance $\leq 1 \text{ m}\Omega$

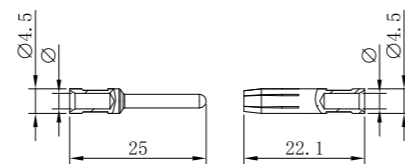
镀银 silver plated

16A冷压针孔

Inserts	Product Model	Order No.	Inserts	Product Model	Order No.
Male	ESM-0.37	1 007 06 0000021	Female	ESF-0.37	1 007 07 0000021
	ESM-0.5	1 007 06 0000022		ESF-0.5	1 007 07 0000022
	ESM-0.75	1 007 06 0000023		ESF-0.75	1 007 07 0000023
	ESM-1.0	1 007 06 0000024		ESF-1.0	1 007 07 0000024
	ESM-1.5	1 007 06 0000025		ESF-1.5	1 007 07 0000025
	ESM-2.5	1 007 06 0000026		ESF-2.5	1 007 07 0000026
	ESM-4.0	1 007 06 0000027		ESF-4.0	1 007 07 0000027

镀金 gold plated

Inserts	Product Model	Order No.	Inserts	Product Model	Order No.
Male	EGM-0.37	1 007 06 0000028	Female	EGF-0.37	1 007 07 0000028
	EGM-0.5	1 007 06 0000029		EGF-0.5	1 007 07 0000029
	EGM-0.75	1 007 06 0000030		EGF-0.75	1 007 07 0000030
	EGM-1.0	1 007 06 0000031		EGF-1.0	1 007 07 0000031
	EGM-1.5	1 007 06 0000032		EGF-1.5	1 007 07 0000032
	EGM-2.5	1 007 06 0000033		EGF-2.5	1 007 07 0000033
	EGM-4.0	1 007 06 0000034		EGF-4.0	1 007 07 0000034



Marking	Wire gauge	Stripping length	
no groove	0.14-0.37 mm ²	AWG 26-22	7.5 mm
no groove	0.5 mm ²	AWG 20	7.5 mm
1 no groove	0.75 mm ²	AWG 18	7.5 mm
1 no groove	1 mm ²	AWG 18	7.5 mm
2 no grooves	1.5 mm ²	AWG 16	7.5 mm
3 no grooves	2.5 mm ²	AWG 14	7.5 mm
wide groove	3 mm ²	AWG 12	7.5 mm
no groove	4 mm ²	AWG 12	7.5 mm

接插芯件

Contact inserts

BEISIT®

→ HD系列 HD Series

HD调整插针分布可提高工作电压至500V

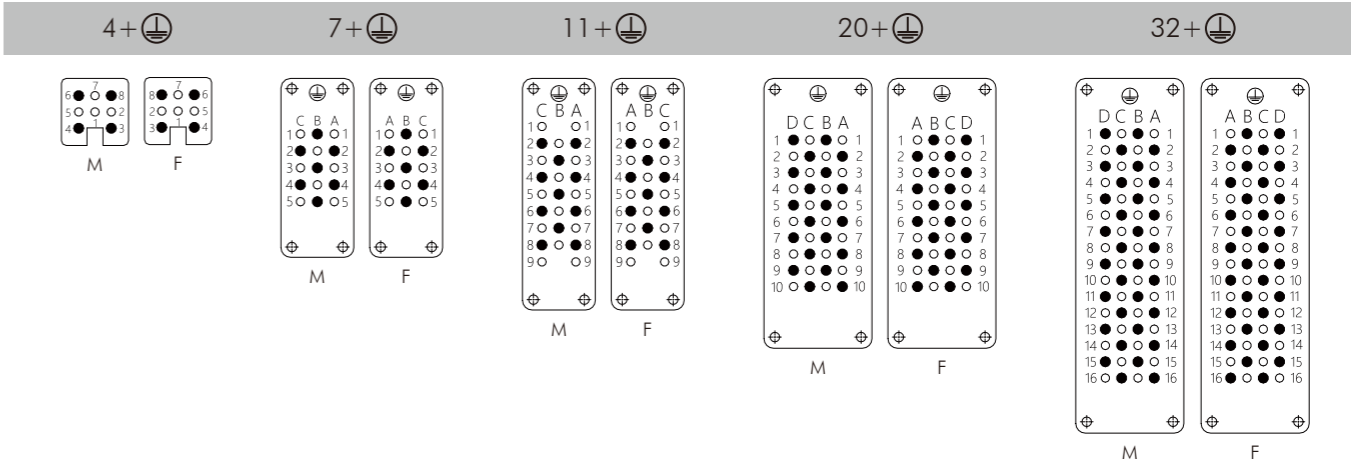
HD modified contact arrangement up to 500V

HD接插体在装满插针时, 在绝缘等级3(C)时, 其工作电压可达250V。但其插针分布经过调整, 同样在绝缘等级3(C)时, 其工作电压允许值可达500V。
The connector series HD equipped with all contacts maybe used for voltage upto 250V at insulation group C, but modified contact loading arrangement permits use upto 500V at insulation group C.

插针分布图 Contact arrangement view from termination side.

● 装有插针的插孔 Working contact ○ 不装插针的插孔 Without contact M-公接插体 Male insert F-母接插体 Female insert

10A 500V 6KV 3



HD系列技术特性

HD technical Characteristics



插芯 Inserts 可与框架及其他所有模块产品组合使用 Combination with hinged frame and other modules possible.

技术参数 Technical Characteristics

规范	Specifications	DIN EN 60 664 / DIN EN 61 984
插芯	Inserts	
接插件针数	Number Of Contacts	7,8,15,25,40,50(2x25),64,80(2x40),128(2x64)+PE
额定电流 (见负载图)	Rated current (see current carrying capacity)	10A
额定电压	Rated Voltage	250V
额定脉冲电压	Rated Impulse Voltage	4KV
污染程度2时	Pollution Degree 2	10A 230/400V 4KV
污染程度	Pollution Degree	3
绝缘电阻	Insulation Resistance	$\geq 10^{10}\Omega$
材料	Material	聚碳酸酯 Polycarbonate
工作温度范围	Limiting Temperatures	-40°C...+125°C
依据UL 94的阻燃等级	Flammability Acc. To UL94	V0
据UL/CSA额定电压	Rated voltage acc.to UL/CSA	600V
可拔插次数	Mechanical Working Life-mating Cycles	≥ 500
插针	Contacts	
材料	Material	铜合金 Copper Alloy
表面处理	Surface	镀银/镀金 Hard silver-plated Hard gold-plated
接触电阻	Contact Resistance	$\leq 3m\Omega$
冷压压接	Crimp Terminal	
导线规格	Wire gauge	0.14-2.5mm ² AWG 26-14

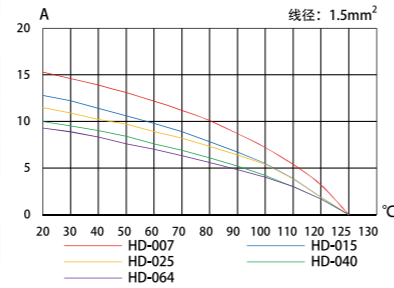
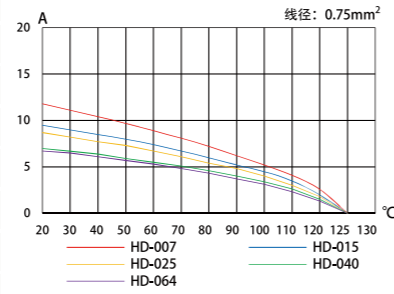
电流负载能力

Current Carrying Capacity

电流负载能力所受的限制主要来自包含接插针的接插体可承受的最大温度。

测试和控制过程依据 IEC 60512-3。

The current carrying is limited by maximum temperature of materials for Inserts and contacts including terminals. Measuring and testing techniques according to IEC 60512-3.



接插芯件

Contact inserts



→ HD-7+ ⊕

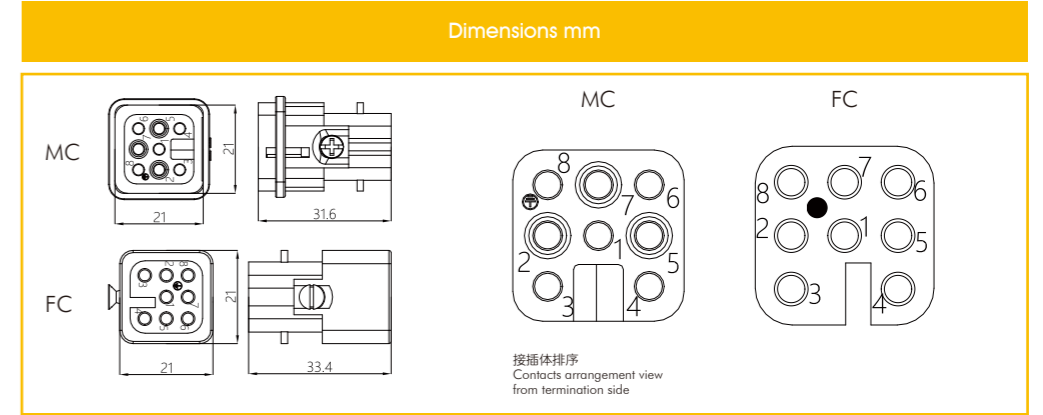
250V/10A Size 3A 7+ ⊕

匹配 H3A 外壳系列,参见P121-123 For H3A,Hood/Housing Please Refer Page No. P121-123

Identification	Product Model	Order No.	Product Model	Order No.
----------------	---------------	-----------	---------------	-----------

冷压连接/Crimp termination

HD-007-MC	1 007 03 0000065	HD-007-FC	1 007 03 0000066
-----------	------------------	-----------	------------------



附件 Accessories

接触电阻 $\leq 3 m\Omega$ / Contact resistance $\leq 3 m\Omega$

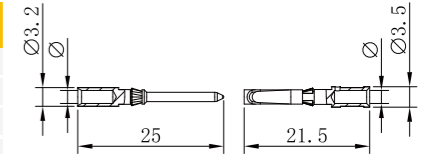
10A冷压针孔



Inserts	Product Model	Order No.
Male	DSM-0.37	1 007 06 0000009
	DSM-0.5	1 007 06 0000010
	DSM-0.75	1 007 06 0000011
	DSM-1.0	1 007 06 0000012
	DSM-1.5	1 007 06 0000013
	DSM-2.5	1 007 06 0000014

镀银 silver plated

Inserts	Product Model	Order No.
Female	DSF-0.37	1 007 07 0000009
	DSF-0.5	1 007 07 0000010
	DSF-0.75	1 007 07 0000011
	DSF-1.0	1 007 07 0000012
	DSF-1.5	1 007 07 0000013
	DSF-2.5	1 007 07 0000014



Wire gauge	φ	Stripping length
0.09-0.25 mm ²	AWG 28-24	0.65 mm 5 mm
0.14-0.37 mm ²	AWG 26-22	0.9 mm 8 mm
0.5 mm ²	AWG 20	1.1 mm 8 mm
0.75 mm ²	AWG 18	1.3 mm 8 mm
1 mm ²	AWG 18	1.45 mm 8 mm
1.5 mm ²	AWG 16	1.75 mm 8 mm
2.5 mm ²	AWG 14	2.25 mm 6 mm

镀金 gold plated

Inserts	Product Model	Order No.
Male	DGM-0.37	1 007 06 0000015
	DGM-0.5	1 007 06 0000016
	DGM-0.75	1 007 06 0000017
	DGM-1.0	1 007 06 0000018
	DGM-1.5	1 007 06 0000019
	DGM-2.5	1 007 06 0000020

Inserts	Product Model	Order No.
Female	DGF-0.37	1 007 07 0000015
	DGF-0.5	1 007 07 0000016
	DGF-0.75	1 007 07 0000017
	DGF-1.0	1 007 07 0000018
	DGF-1.5	1 007 07 0000019
	DGF-2.5	1 007 07 0000020



接插芯件
Contact inserts



→ HD-8

-120V~50V/10A Size 3A 8

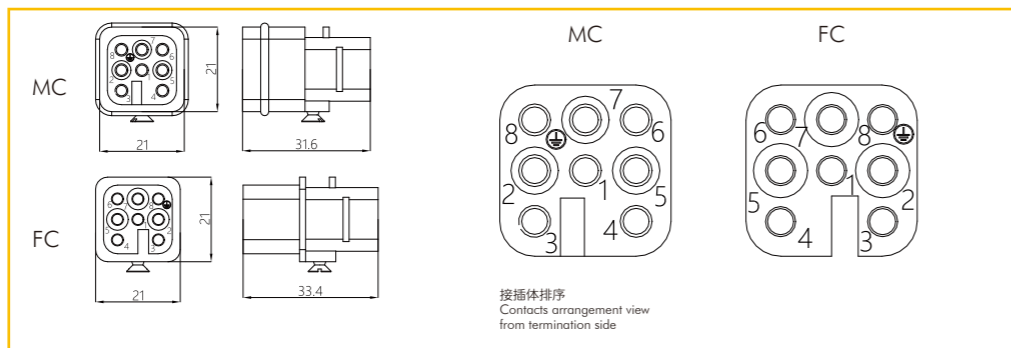
匹配 H3A 外壳系列,参见P121-123 For H3A,Hood/Housing Please Refer Page No. P121-123

Identification	Product Model	Order No.	Product Model	Order No.
----------------	---------------	-----------	---------------	-----------

冷压连接/Crimp termination

HD-008-MC	1 007 03 0000067	HD-008-FC	1 007 03 0000068
-----------	------------------	-----------	------------------

Dimensions mm



附件 Accessories

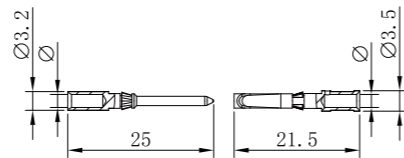
接触电阻 ≤ 3 mΩ / Contact resistance ≤ 3mΩ

镀银 silver plated

10A冷压针孔



Inserts	Product Model	Order No.	Inserts	Product Model	Order No.
Male	DSM-0.37	1 007 06 0000009	Female	DSF-0.37	1 007 07 0000009
	DSM-0.5	1 007 06 0000010		DSF-0.5	1 007 07 0000010
	DSM-0.75	1 007 06 0000011		DSF-0.75	1 007 07 0000011
	DSM-1.0	1 007 06 0000012		DSF-1.0	1 007 07 0000012
	DSM-1.5	1 007 06 0000013		DSF-1.5	1 007 07 0000013
	DSM-2.5	1 007 06 0000014		DSF-2.5	1 007 07 0000014



Wire gauge		φ	Stripping length
0.09-0.25 mm ²	AWG 28-24	0.65 mm	5 mm
0.14-0.37 mm ²	AWG 26-22	0.9 mm	8 mm
0.5 mm ²	AWG 20	1.1 mm	8 mm
0.75 mm ²	AWG 18	1.3 mm	8 mm
1 mm ²	AWG 18	1.45 mm	8 mm
1.5 mm ²	AWG 16	1.75 mm	8 mm
2.5 mm ²	AWG 14	2.25 mm	6 mm

镀金 gold plated



Inserts	Product Model	Order No.	Inserts	Product Model	Order No.
Male	DGM-0.37	1 007 06 0000015	Female	DGF-0.37	1 007 07 0000015
	DGM-0.5	1 007 06 0000016		DGF-0.5	1 007 07 0000016
	DGM-0.75	1 007 06 0000017		DGF-0.75	1 007 07 0000017
	DGM-1.0	1 007 06 0000018		DGF-1.0	1 007 07 0000018
	DGM-1.5	1 007 06 0000019		DGF-1.5	1 007 07 0000019
	DGM-2.5	1 007 06 0000020		DGF-2.5	1 007 07 0000020

接插芯件
Contact inserts



→ HD-15+ ⊕

250V/10A Size 10A 15+ ⊕

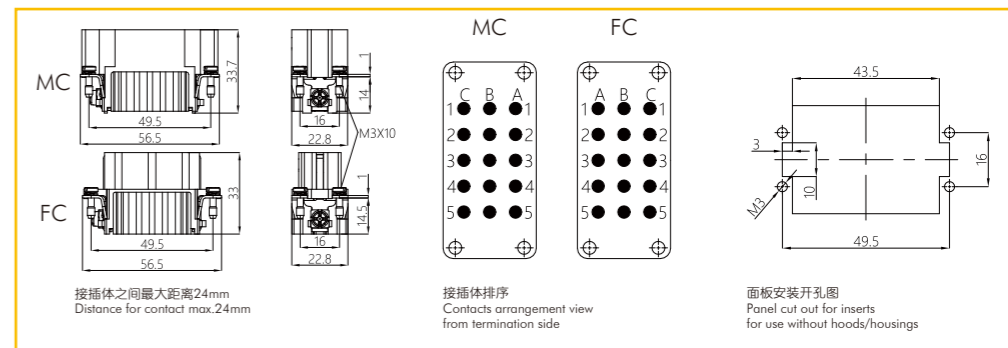
匹配 H10A 外壳系列,参见P124-125 For H10A,Hood/Housing Please Refer Page No. P124-125

Identification	Product Model	Order No.	Product Model	Order No.
----------------	---------------	-----------	---------------	-----------

冷压连接/Crimp termination

HD-015-MC	1 007 03 0000069	HD-015-FC	1 007 03 0000070
-----------	------------------	-----------	------------------

Dimensions mm



附件 Accessories

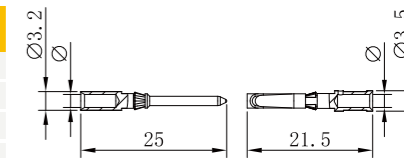
接触电阻 ≤ 3 mΩ / Contact resistance ≤ 3mΩ

镀银 silver plated

10A冷压针孔



Inserts	Product Model	Order No.	Inserts	Product Model	Order No.
Male	DSM-0.37	1 007 06 0000009	Female	DSF-0.37	1 007 07 0000009
	DSM-0.5	1 007 06 0000010		DSF-0.5	1 007 07 0000010
	DSM-0.75	1 007 06 0000011		DSF-0.75	1 007 07 0000011
	DSM-1.0	1 007 06 0000012		DSF-1.0	1 007 07 0000012
	DSM-1.5	1 007 06 0000013		DSF-1.5	1 007 07 0000013
	DSM-2.5	1 007 06 0000014		DSF-2.5	1 007 07 0000014



Wire gauge		φ	Stripping length
0.09-0.25 mm ²	AWG 28-24	0.65 mm	5 mm
0.14-0.37 mm ²	AWG 26-22	0.9 mm	8 mm
0.5 mm ²	AWG 20	1.1 mm	8 mm
0.75 mm ²	AWG 18	1.3 mm	8 mm
1 mm ²	AWG 18	1.45 mm	8 mm
1.5 mm ²	AWG 16	1.75 mm	8 mm
2.5 mm ²	AWG 14	2.25 mm	6 mm

镀金 gold plated



Inserts	Product Model	Order No.	Inserts	Product Model	Order No.
Male	DGM-0.37	1 007 06 0000015	Female	DGF-0.37	1 007 07 0000015
	DGM-0.5	1 007 06 0000016		DGF-0.5	1 007 07 0000016
	DGM-0.75	1 007 06 0000017		DGF-0.75	1 007 07 0000017
	DGM-1.0	1 007 06 0000018		DGF-1.0	1 007 07 0000018
	DGM-1.5	1 007 06 0000019		DGF-1.5	1 007 07 0000019
	DGM-2.5	1 007 06 0000020		DGF-2.5	1 007 07 0000020

接插芯件

Contact inserts

→ HD-25+ ⊕

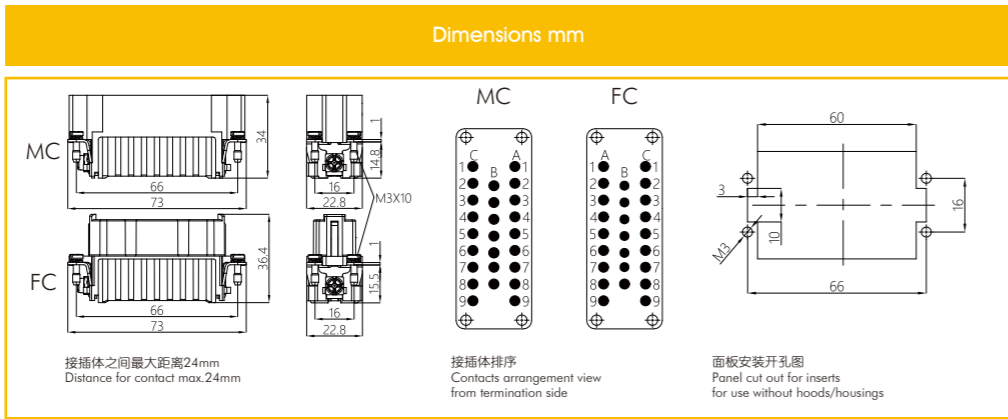
250V/10A Size 16A 25+ ⊕

匹配 H16A 外壳系列, 参见P126-127 For H16A,Hood/Housing Please Refer Page No. P126-127

Identification	Product Model	Order No.	Product Model	Order No.
----------------	---------------	-----------	---------------	-----------

冷压连接/Crimp termination

HD-025-MC	1 007 03 0000071	HD-025-FC	1 007 03 0000072
-----------	------------------	-----------	------------------



附件 Accessories

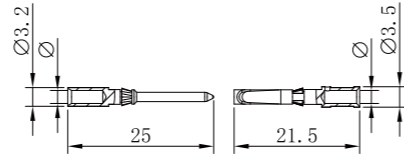
接触电阻 ≤ 3 mΩ / Contact resistance ≤ 3mΩ

镀银 silver plated

10A冷压针孔



Inserts	Product Model	Order No.	Inserts	Product Model	Order No.
Male	DSM-0.37	1 007 06 0000009	Female	DSF-0.37	1 007 07 0000009
	DSM-0.5	1 007 06 0000010		DSF-0.5	1 007 07 0000010
	DSM-0.75	1 007 06 0000011		DSF-0.75	1 007 07 0000011
	DSM-1.0	1 007 06 0000012		DSF-1.0	1 007 07 0000012
	DSM-1.5	1 007 06 0000013		DSF-1.5	1 007 07 0000013
	DSM-2.5	1 007 06 0000014		DSF-2.5	1 007 07 0000014



Wire gauge		φ	Stripping length
0.09-0.25 mm ²	AWG 28-24	0.65 mm	5 mm
0.14-0.37 mm ²	AWG 26-22	0.9 mm	8 mm
0.5 mm ²	AWG 20	1.1 mm	8 mm
0.75 mm ²	AWG 18	1.3 mm	8 mm
1 mm ²	AWG 18	1.45 mm	8 mm
1.5 mm ²	AWG 16	1.75 mm	8 mm
2.5 mm ²	AWG 14	2.25 mm	6 mm

镀金 gold plated



Inserts	Product Model	Order No.	Inserts	Product Model	Order No.
Male	DGM-0.37	1 007 06 0000015	Female	DGF-0.37	1 007 07 0000015
	DGM-0.5	1 007 06 0000016		DGF-0.5	1 007 07 0000016
	DGM-0.75	1 007 06 0000017		DGF-0.75	1 007 07 0000017
	DGM-1.0	1 007 06 0000018		DGF-1.0	1 007 07 0000018
	DGM-1.5	1 007 06 0000019		DGF-1.5	1 007 07 0000019
	DGM-2.5	1 007 06 0000020		DGF-2.5	1 007 07 0000020

接插芯件

Contact inserts

→ HD-40+ ⊕

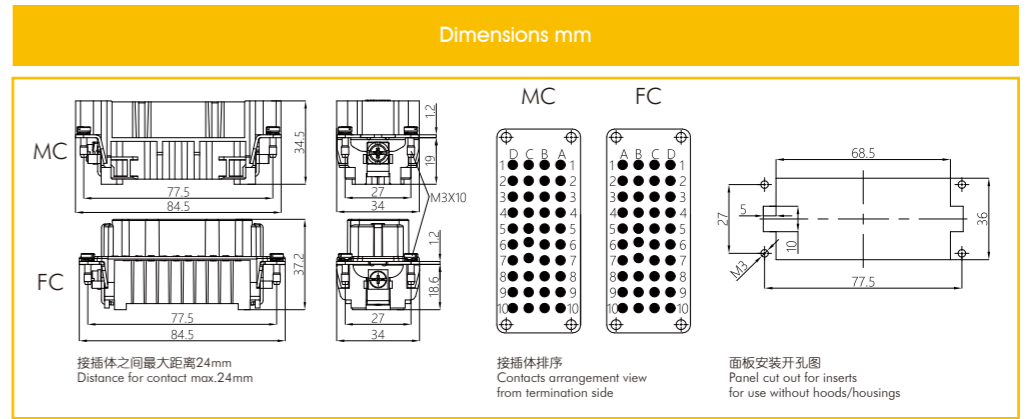
250V/10A Size 16B 40+ ⊕

匹配 H16B 外壳系列, 参见P142-150 For H16B,Hood/Housing Please Refer Page No. P142-150

Identification	Product Model	Order No.	Product Model	Order No.
----------------	---------------	-----------	---------------	-----------

冷压连接/Crimp termination

HD-040-MC	1 007 03 0000073	HD-040-FC	1 007 03 0000074
-----------	------------------	-----------	------------------



附件 Accessories

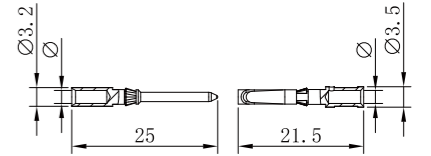
接触电阻 ≤ 3 mΩ / Contact resistance ≤ 3mΩ

镀银 silver plated

10A冷压针孔



Inserts	Product Model	Order No.	Inserts	Product Model	Order No.
Male	DSM-0.37	1 007 06 0000009	Female	DSF-0.37	1 007 07 0000009
	DSM-0.5	1 007 06 0000010		DSF-0.5	1 007 07 0000010
	DSM-0.75	1 007 06 0000011		DSF-0.75	1 007 07 0000011
	DSM-1.0	1 007 06 0000012		DSF-1.0	1 007 07 0000012
	DSM-1.5	1 007 06 0000013		DSF-1.5	1 007 07 0000013
	DSM-2.5	1 007 06 0000014		DSF-2.5	1 007 07 0000014



Wire gauge		φ	Stripping length
0.09-0.25 mm ²	AWG 28-24	0.65 mm	5 mm
0.14-0.37 mm ²	AWG 26-22	0.9 mm	8 mm
0.5 mm ²	AWG 20	1.1 mm	8 mm
0.75 mm ²	AWG 18	1.3 mm	8 mm
1 mm ²	AWG 18	1.45 mm	8 mm
1.5 mm ²	AWG 16	1.75 mm	8 mm
2.5 mm ²	AWG 14	2.25 mm	6 mm

镀金 gold plated



Inserts	Product Model	Order No.	Inserts	Product Model	Order No.
Male	DGM-0.37	1 007 06 0000015	Female	DGF-0.37	1 007 07 0000015
	DGM-0.5	1 007 06 0000016		DGF-0.5	1 007 07 0000016
	DGM-0.75	1 007 06 0000017		DGF-0.75	1 007 07 0000017
	DGM-1.0	1 007 06 0000018		DGF-1.0	1 007 07 0000018
	DGM-1.5	1 007 06 0000019		DGF-1.5	1 007 07 0000019
	DGM-2.5	1 007 06 0000020		DGF-2.5	1 007 07 0000020

接插芯件
Contact inserts



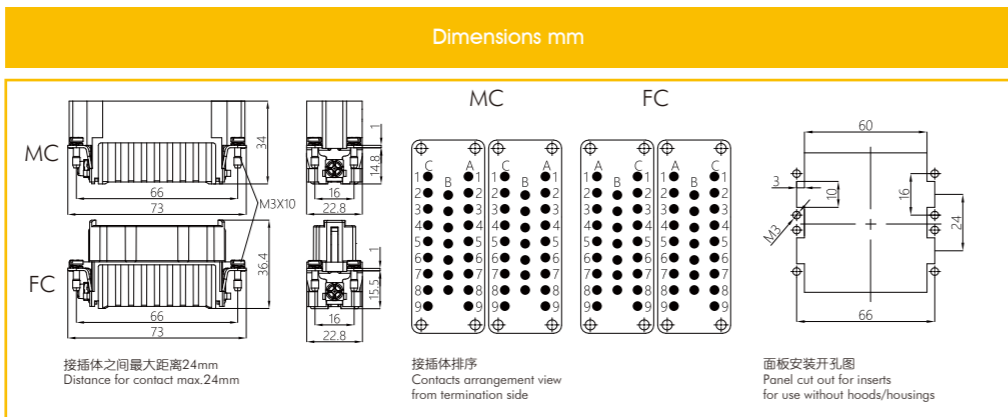
→ HD-50+ ⊕

250V/10A Size 32A 50+ ⊕

匹配 H32A 外壳系列, 参见P128-129 For H32A,Hood/Housing Please Refer Page No. P128-129

Identification	Product Model	Order No.	Product Model	Order No.
----------------	---------------	-----------	---------------	-----------

冷压连接/Crimp termination
 HD-025-MC 1 007 03 0000071 HD-025-FC 1 007 03 0000072
 HD-050-MC(26-50) 1 007 03 0000075 HD-050-FC(26-50) 1 007 03 0000076



附件 Accessories

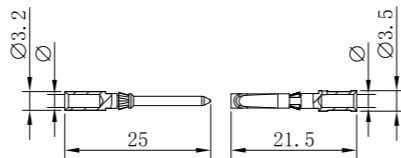
接触电阻 ≤ 3 mΩ / Contact resistance ≤ 3mΩ

镀银 silver plated

10A冷压针孔



Inserts	Product Model	Order No.	Inserts	Product Model	Order No.
Male	DSM-0.37	1 007 06 0000009	Female	DSF-0.37	1 007 07 0000009
	DSM-0.5	1 007 06 0000010		DSF-0.5	1 007 07 0000010
	DSM-0.75	1 007 06 0000011		DSF-0.75	1 007 07 0000011
	DSM-1.0	1 007 06 0000012		DSF-1.0	1 007 07 0000012
	DSM-1.5	1 007 06 0000013		DSF-1.5	1 007 07 0000013
	DSM-2.5	1 007 06 0000014		DSF-2.5	1 007 07 0000014



Wire gauge		φ	Stripping length
0.09-0.25 mm ²	AWG 28-24	0.65 mm	5 mm
0.14-0.37 mm ²	AWG 26-22	0.9 mm	8 mm
0.5 mm ²	AWG 20	1.1 mm	8 mm
0.75 mm ²	AWG 18	1.3 mm	8 mm
1 mm ²	AWG 18	1.45 mm	8 mm
1.5 mm ²	AWG 16	1.75 mm	8 mm
2.5 mm ²	AWG 14	2.25 mm	6 mm

镀金 gold plated



Inserts	Product Model	Order No.	Inserts	Product Model	Order No.
Male	DGM-0.37	1 007 06 0000015	Female	DGF-0.37	1 007 07 0000015
	DGM-0.5	1 007 06 0000016		DGF-0.5	1 007 07 0000016
	DGM-0.75	1 007 06 0000017		DGF-0.75	1 007 07 0000017
	DGM-1.0	1 007 06 0000018		DGF-1.0	1 007 07 0000018
	DGM-1.5	1 007 06 0000019		DGF-1.5	1 007 07 0000019
	DGM-2.5	1 007 06 0000020		DGF-2.5	1 007 07 0000020

接插芯件
Contact inserts



→ HD-64+ ⊕

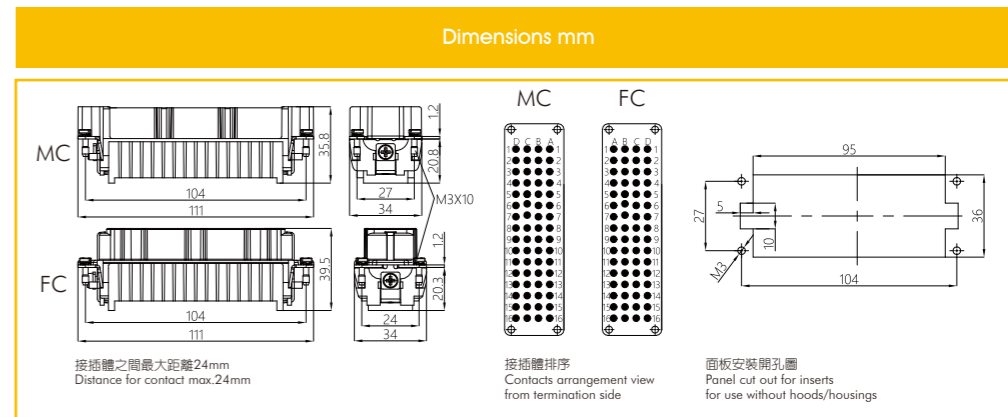
250V/10A Size 24B 64+ ⊕

匹配 H24B 外壳系列, 参见P151-159 For H24B,Hood/Housing Please Refer Page No. P151-159

Identification	Product Model	Order No.	Product Model	Order No.
----------------	---------------	-----------	---------------	-----------

冷压连接/Crimp termination

HD-064-MC 1 007 03 0000077 HD-064-FC 1 007 03 0000078



附件 Accessories

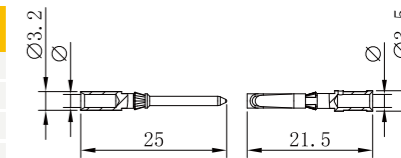
接触电阻 ≤ 3 mΩ / Contact resistance ≤ 3mΩ

镀银 silver plated

10A冷压针孔



Inserts	Product Model	Order No.	Inserts	Product Model	Order No.
Male	DSM-0.37	1 007 06 0000009	Female	DSF-0.37	1 007 07 0000009
	DSM-0.5	1 007 06 0000010		DSF-0.5	1 007 07 0000010
	DSM-0.75	1 007 06 0000011		DSF-0.75	1 007 07 0000011
	DSM-1.0	1 007 06 0000012		DSF-1.0	1 007 07 0000012
	DSM-1.5	1 007 06 0000013		DSF-1.5	1 007 07 0000013
	DSM-2.5	1 007 06 0000014		DSF-2.5	1 007 07 0000014



Wire gauge		φ	Stripping length
0.09-0.25 mm ²	AWG 28-24	0.65 mm	5 mm
0.14-0.37 mm ²	AWG 26-22	0.9 mm	8 mm
0.5 mm ²	AWG 20	1.1 mm	8 mm
0.75 mm ²	AWG 18	1.3 mm	8 mm
1 mm ²	AWG 18	1.45 mm	8 mm
1.5 mm ²	AWG 16	1.75 mm	8 mm
2.5 mm ²	AWG 14	2.25 mm	6 mm

镀金 gold plated



Inserts	Product Model	Order No.	Inserts	Product Model	Order No.
Male	DGM-0.37	1 007 06 0000015	Female	DGF-0.37	1 007 07 0000015
	DGM-0.5	1 007 06 0000016		DGF-0.5	1 007 07 0000016
	DGM-0.75	1 007 06 0000017		DGF-0.75	1 007 07 0000017
	DGM-1.0	1 007 06 0000018		DGF-1.0	1 007 07 0000018
	DGM-1.5	1 007 06 0000019		DGF-1.5	1 007 07 0000019
	DGM-2.5	1 007 06 0000020		DGF-2.5	1 007 07 0000020

接插芯件

Contact inserts

BEISIT®

→ HD-80+ ⊕

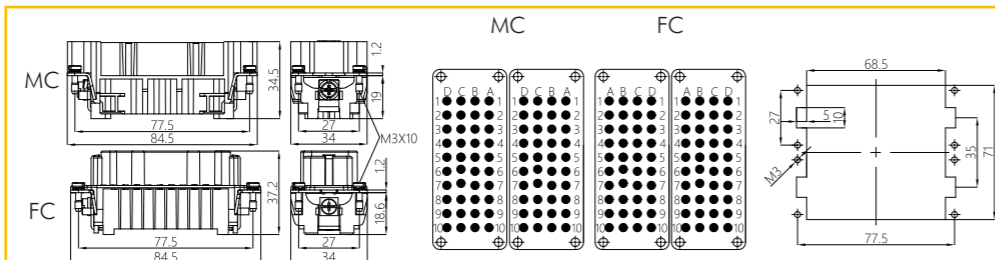
250V/10A Size 32B 80+ ⊕

匹配 H32B 外壳系列,参见P160-163 For H32B,Hood/Housing Please Refer Page No. P160-163

Identification	Product Model	Order No.	Product Model	Order No.
----------------	---------------	-----------	---------------	-----------

冷压连接/Crimp termination	HD-040-MC	1 007 03 0000073	HD-040-FC	1 007 03 0000074
	HD-080-MC(41-80)	1 007 03 0000079	HD-080-FC(41-80)	1 007 03 0000080

Dimensions mm



附件 Accessories

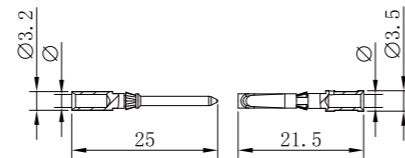
接触电阻 ≤ 3 mΩ / Contact resistance ≤ 3mΩ

镀银 silver plated

10A冷压针孔



Inserts	Product Model	Order No.	Inserts	Product Model	Order No.
Male	DSM-0.37	1 007 06 0000009	Female	DSF-0.37	1 007 07 0000009
	DSM-0.5	1 007 06 0000010		DSF-0.5	1 007 07 0000010
	DSM-0.75	1 007 06 0000011		DSF-0.75	1 007 07 0000011
	DSM-1.0	1 007 06 0000012		DSF-1.0	1 007 07 0000012
	DSM-1.5	1 007 06 0000013		DSF-1.5	1 007 07 0000013
	DSM-2.5	1 007 06 0000014		DSF-2.5	1 007 07 0000014



Wire gauge		φ	Stripping length
0.09-0.25 mm ²	AWG 28-24	0.65 mm	5 mm
0.14-0.37 mm ²	AWG 26-22	0.9 mm	8 mm
0.5 mm ²	AWG 20	1.1 mm	8 mm
0.75 mm ²	AWG 18	1.3 mm	8 mm
1 mm ²	AWG 18	1.45 mm	8 mm
1.5 mm ²	AWG 16	1.75 mm	8 mm
2.5 mm ²	AWG 14	2.25 mm	6 mm

镀金 gold plated



Inserts	Product Model	Order No.	Inserts	Product Model	Order No.
Male	DGM-0.37	1 007 06 0000015	Female	DGF-0.37	1 007 07 0000015
	DGM-0.5	1 007 06 0000016		DGF-0.5	1 007 07 0000016
	DGM-0.75	1 007 06 0000017		DGF-0.75	1 007 07 0000017
	DGM-1.0	1 007 06 0000018		DGF-1.0	1 007 07 0000018
	DGM-1.5	1 007 06 0000019		DGF-1.5	1 007 07 0000019
	DGM-2.5	1 007 06 0000020		DGF-2.5	1 007 07 0000020

接插芯件

Contact inserts

BEISIT®

→ HD-128+ ⊕

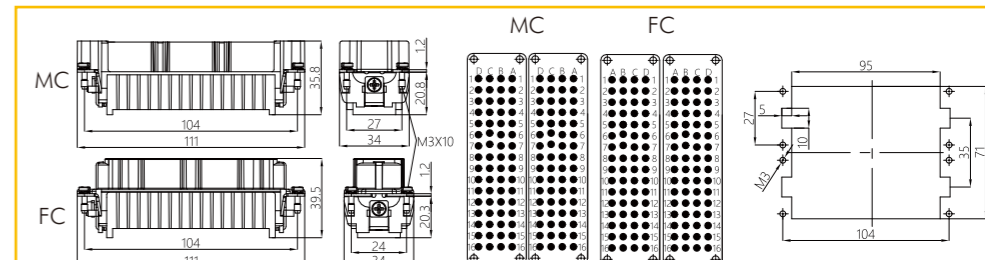
250V/10A Size 48B 128+ ⊕

匹配 H48B 外壳系列,参见P164-165 For H48B,Hood/Housing Please Refer Page No. P164-165

Identification	Product Model	Order No.	Product Model	Order No.
----------------	---------------	-----------	---------------	-----------

冷压连接/Crimp termination	HD-064-MC	1 007 03 0000077	HD-064-FC	1 007 03 0000078
	HD-128-MC(65-128)	1 007 03 0000081	HD-128-FC(65-128)	1 007 03 0000082

Dimensions mm



附件 Accessories

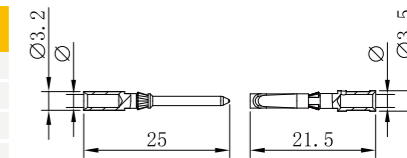
接触电阻 ≤ 3 mΩ / Contact resistance ≤ 3mΩ

镀银 silver plated

10A冷压针孔



Inserts	Product Model	Order No.	Inserts	Product Model	Order No.
Male	DSM-0.37	1 007 06 0000009	Female	DSF-0.37	1 007 07 0000009
	DSM-0.5	1 007 06 0000010		DSF-0.5	1 007 07 0000010
	DSM-0.75	1 007 06 0000011		DSF-0.75	1 007 07 0000011
	DSM-1.0	1 007 06 0000012		DSF-1.0	1 007 07 0000012
	DSM-1.5	1 007 06 0000013		DSF-1.5	1 007 07 0000013
	DSM-2.5	1 007 06 0000014		DSF-2.5	1 007 07 0000014



Wire gauge		φ	Stripping length
0.09-0.25 mm ²	AWG 28-24	0.65 mm	5 mm
0.14-0.37 mm ²	AWG 26-22	0.9 mm	8 mm
0.5 mm ²	AWG 20	1.1 mm	8 mm
0.75 mm ²	AWG 18	1.3 mm	8 mm
1 mm ²	AWG 18	1.45 mm	8 mm
1.5 mm ²	AWG 16	1.75 mm	8 mm
2.5 mm ²	AWG 14	2.25 mm	6 mm

镀金 gold plated



Inserts	Product Model	Order No.	Inserts	Product Model	Order No.
Male	DGM-0.37	1 007 06 0000015	Female	DGF-0.37	1 007 07 0000015
	DGM-0.5	1 007 06 0000016		DGF-0.5	1 007 07 0000016
	DGM-0.75	1 007 06 0000017		DGF-0.75	1 007 07 0000017
	DGM-1.0	1 007 06 0000018		DGF-1.0	1 007 07 0000018
	DGM-1.5	1 007 06 0000019		DGF-1.5	1 007 07 0000019
	DGM-2.5	1 007 06 0000020		DGF-2.5	1 007 07 0000020

接插芯件

Contact inserts

BEISIT®

→ HDD 系列 HDD Series

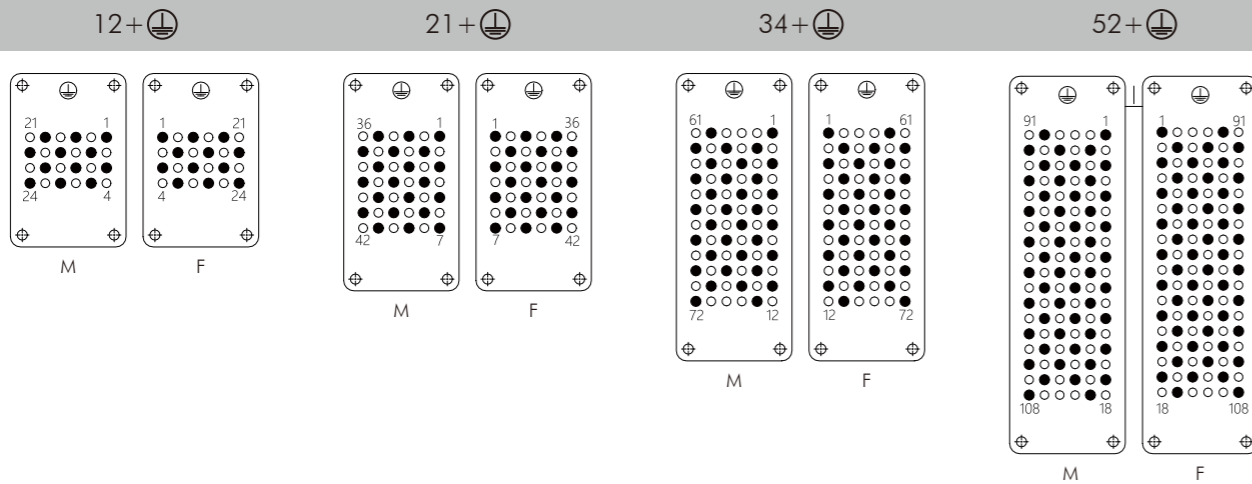
HDD调整插针分布可提高工作电压至500V
HDD modified contact arrangement up to 500V

HDD接插体在装满插针时，在绝缘等级3(C)时，其工作电压可达250V。但其插针分布经过调整，同样在绝缘等级3(C)时，其工作电压允许值可达500V。
The connector series HDD equipped with all contacts maybe used for voltage upto 250V at insulation group C, but modified contact loading arrangement permits use upto 500V at insulation group C.

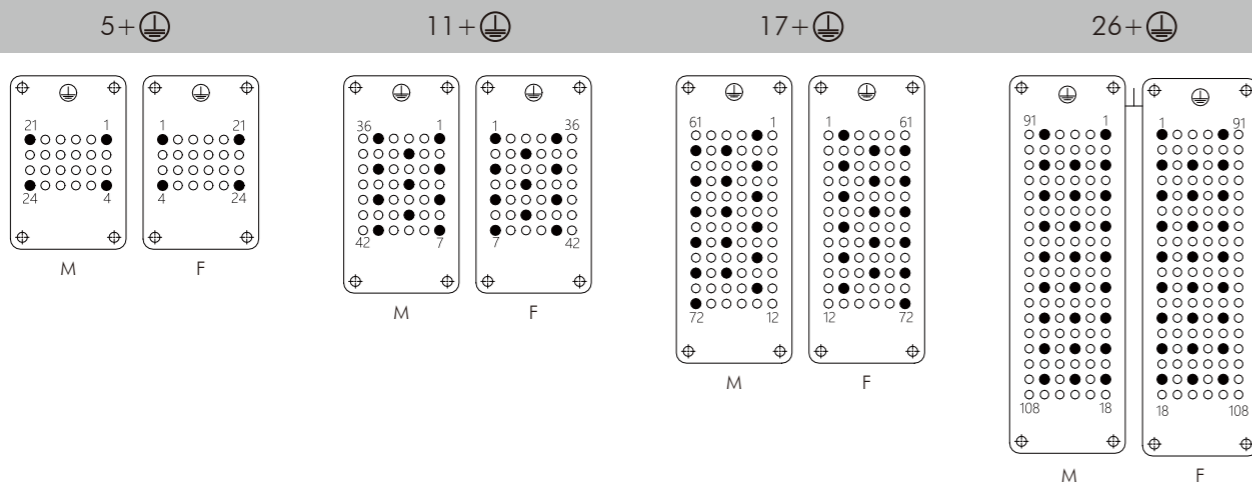
插针分布图 Contact arrangement view from termination side.

● 装有插针的插孔 Working contact ○ 不装插针的插孔 Without contact M-公接插体 Male insert F-母接插体 Female insert

10A 400V 6KV 3



10A 500V 6KV 3



HDD系列技术特性

HDD technical Characteristics

BEISIT®

插芯 Inserts 可与框架及其他所有模块产品组合使用 Combination with hinged frame and other modules possible.

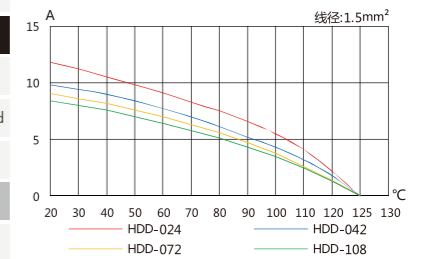
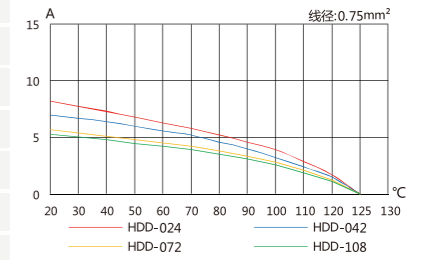
技术参数 Technical Characteristics

规范	Specifications	DIN EN 60 664 / DIN EN 61 984
插芯	Inserts	
接插件针数	Number Of Contacts	24,42,72,108,144(2x72),216(2x108)+PE
额定电流 (见负载图)	Rated current (see current carrying capacity)	10A
额定电压	Rated Voltage	250V
额定脉冲电压	Rated Impulse Voltage	4KV
污染程度2时	Pollution Degree 2	10A 230/400V 4KV
污染程度	Pollution Degree	3
绝缘电阻	Insulation Resistance	$\geq 10^9 \Omega$
材料	Material	聚碳酸酯 Polycarbonate
工作温度范围	Limiting Temperatures	-40°C...+125°C
依据UL 94的阻燃等级	Flammability Acc. To UL94	V0
据UL/CSA额定电压	Rated voltage acc.to UL/CSA	600V
可拔插次数	Mechanical Working Life-mating Cycles	≥ 500
插针	Contacts	
材料	Material	铜合金 Copper Alloy
表面处理	Surface	镀银/镀金 Hard silver-plated Hard gold-plated
接触电阻	Contact Resistance	$\leq 3m\Omega$
冷压压接	Crimp Terminal	
导线规格	Wire gauge	0.14-2.5mm ² AWG 26-14

电流负载能力
Current Carrying Capacity

电流负载能力所受的限制主要来自包含接插针的接插体可承受的最大温度。
测试和控制过程依据 IEC 60512-3。

The current carrying is limited by maximum temperature of materials for Inserts and contacts including terminals. Measuring and testing techniques according to IEC 60512-3.



接插芯件
Contact inserts



→ HDD-24+ ⊕

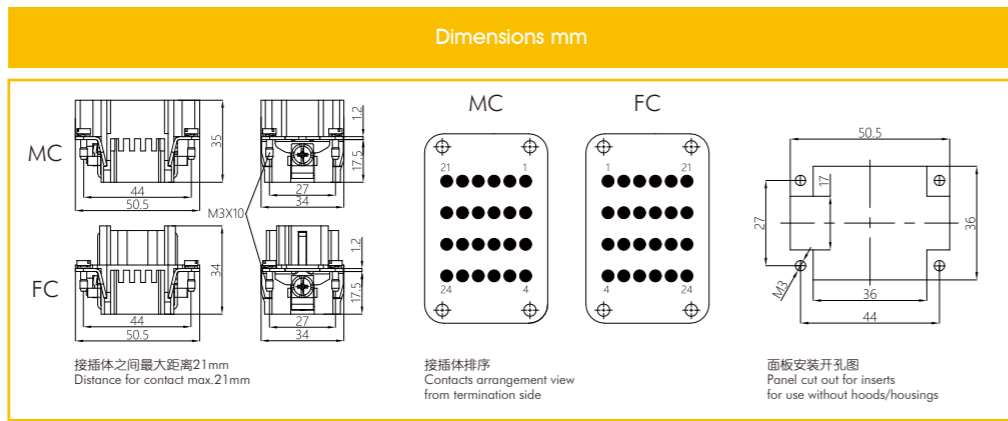
250V/10A Size 6B 24+ ⊕

匹配 H6B 外壳系列,参见P130-132 For H6B,Hood/Housing Please Refer Page No. P130-132

Identification	Product Model	Order No.	Product Model	Order No.
----------------	---------------	-----------	---------------	-----------

冷压连接/Crimp termination

HDD-024-MC	1 007 03 0000083	HDD-024-FC	1 007 03 0000084
------------	------------------	------------	------------------



附件 Accessories

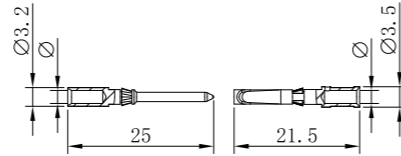
接触电阻 ≤ 3 mΩ / Contact resistance ≤ 3mΩ

镀银 silver plated

10A冷压针孔



Inserts	Product Model	Order No.	Inserts	Product Model	Order No.
Male	DSM-0.37	1 007 06 0000009	Female	DSF-0.37	1 007 07 0000009
	DSM-0.5	1 007 06 0000010		DSF-0.5	1 007 07 0000010
	DSM-0.75	1 007 06 0000011		DSF-0.75	1 007 07 0000011
	DSM-1.0	1 007 06 0000012		DSF-1.0	1 007 07 0000012
	DSM-1.5	1 007 06 0000013		DSF-1.5	1 007 07 0000013
	DSM-2.5	1 007 06 0000014		DSF-2.5	1 007 07 0000014



Wire gauge		φ	Stripping length
0.09-0.25 mm ²	AWG 28-24	0.65 mm	5 mm
0.14-0.37 mm ²	AWG 26-22	0.9 mm	8 mm
0.5 mm ²	AWG 20	1.1 mm	8 mm
0.75 mm ²	AWG 18	1.3 mm	8 mm
1 mm ²	AWG 18	1.45 mm	8 mm
1.5 mm ²	AWG 16	1.75 mm	8 mm
2.5 mm ²	AWG 14	2.25 mm	6 mm

镀金 gold plated



Inserts	Product Model	Order No.	Inserts	Product Model	Order No.
Male	DGM-0.37	1 007 06 0000015	Female	DGF-0.37	1 007 07 0000015
	DGM-0.5	1 007 06 0000016		DGF-0.5	1 007 07 0000016
	DGM-0.75	1 007 06 0000017		DGF-0.75	1 007 07 0000017
	DGM-1.0	1 007 06 0000018		DGF-1.0	1 007 07 0000018
	DGM-1.5	1 007 06 0000019		DGF-1.5	1 007 07 0000019
	DGM-2.5	1 007 06 0000020		DGF-2.5	1 007 07 0000020

接插芯件
Contact inserts



→ HDD-42+ ⊕

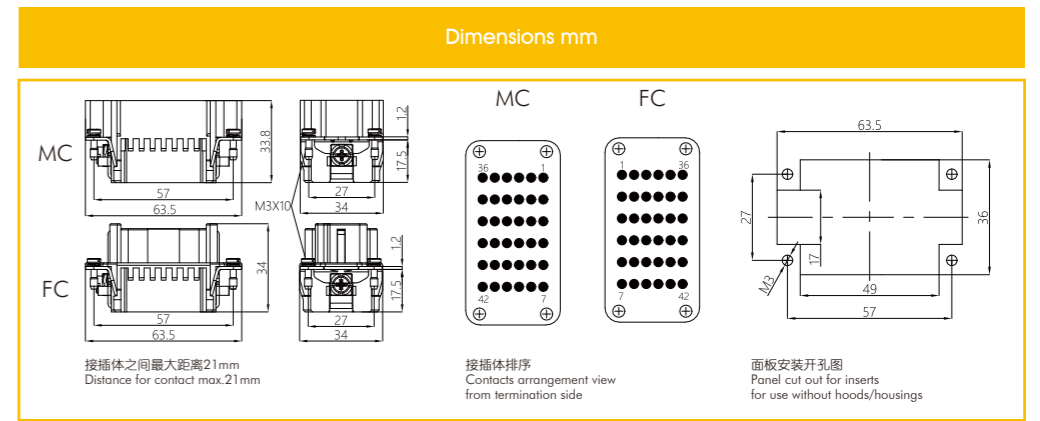
250V/10A Size 10B 42+ ⊕

匹配 H10B 外壳系列,参见P133-141 For H10B,Hood/Housing Please Refer Page No. P133-141

Identification	Product Model	Order No.	Product Model	Order No.
----------------	---------------	-----------	---------------	-----------

冷压连接/Crimp termination

HDD-042-MC	1 007 03 0000085	HDD-042-FC	1 007 03 0000086
------------	------------------	------------	------------------



附件 Accessories

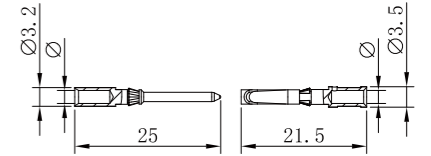
接触电阻 ≤ 3 mΩ / Contact resistance ≤ 3mΩ

镀银 silver plated

10A冷压针孔



Inserts	Product Model	Order No.	Inserts	Product Model	Order No.
Male	DSM-0.37	1 007 06 0000009	Female	DSF-0.37	1 007 07 0000009
	DSM-0.5	1 007 06 0000010		DSF-0.5	1 007 07 0000010
	DSM-0.75	1 007 06 0000011		DSF-0.75	1 007 07 0000011
	DSM-1.0	1 007 06 0000012		DSF-1.0	1 007 07 0000012
	DSM-1.5	1 007 06 0000013		DSF-1.5	1 007 07 0000013
	DSM-2.5	1 007 06 0000014		DSF-2.5	1 007 07 0000014



Wire gauge		φ	Stripping length
0.09-0.25 mm ²	AWG 28-24	0.65 mm	5 mm
0.14-0.37 mm ²	AWG 26-22	0.9 mm	8 mm
0.5 mm ²	AWG 20	1.1 mm	8 mm
0.75 mm ²	AWG 18	1.3 mm	8 mm
1 mm ²	AWG 18	1.45 mm	8 mm
1.5 mm ²	AWG 16	1.75 mm	8 mm
2.5 mm ²	AWG 14	2.25 mm	6 mm

镀金 gold plated



Inserts	Product Model	Order No.	Inserts	Product Model	Order No.
Male	DGM-0.37	1 007 06 0000015	Female	DGF-0.37	1 007 07 0000015
	DGM-0.5	1 007 06 0000016		DGF-0.5	1 007 07 0000016
	DGM-0.75	1 007 06 0000017		DGF-0.75	1 007 07 0000017
	DGM-1.0	1 007 06 0000018		DGF-1.0	1 007 07 0000018
	DGM-1.5	1 007 06 0000019		DGF-1.5	1 007 07 0000019
	DGM-2.5	1 007 06 0000020		DGF-2.5	1 007 07 0000020

接插芯件

Contact inserts

BEISIT®

→ HDD-72+ ⊕

250V/10A Size 16B 72+ ⊕

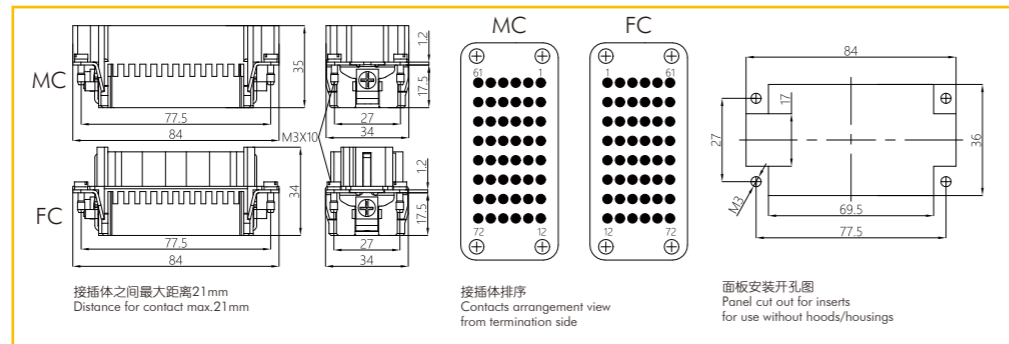
匹配 H16B 外壳系列,参见P142-150 For H16B,Hood/Housing Please Refer Page No. P142-150

Identification	Product Model	Order No.	Product Model	Order No.
----------------	---------------	-----------	---------------	-----------

冷压连接/Crimp termination

HDD-072-MC	1 007 03 0000087	HDD-072-FC	1 007 03 0000088
------------	------------------	------------	------------------

Dimensions mm



附件 Accessories

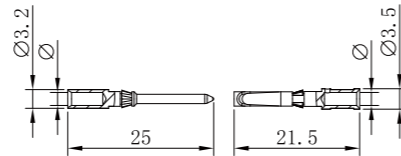
接触电阻 ≤ 3 mΩ / Contact resistance ≤ 3 mΩ

镀银 silver plated

10A冷压针孔



Inserts	Product Model	Order No.	Inserts	Product Model	Order No.
Male	DSM-0.37	1 007 06 0000009	Female	DSF-0.37	1 007 07 0000009
	DSM-0.5	1 007 06 0000010		DSF-0.5	1 007 07 0000010
	DSM-0.75	1 007 06 0000011		DSF-0.75	1 007 07 0000011
	DSM-1.0	1 007 06 0000012		DSF-1.0	1 007 07 0000012
	DSM-1.5	1 007 06 0000013		DSF-1.5	1 007 07 0000013
	DSM-2.5	1 007 06 0000014		DSF-2.5	1 007 07 0000014



Wire gauge	φ	Stripping length
0.09-0.25 mm ²	AWG 28-24	0.65 mm
0.14-0.37 mm ²	AWG 26-22	0.9 mm
0.5 mm ²	AWG 20	1.1 mm
0.75 mm ²	AWG 18	1.3 mm
1 mm ²	AWG 18	1.45 mm
1.5 mm ²	AWG 16	1.75 mm
2.5 mm ²	AWG 14	2.25 mm

镀金 gold plated



Inserts	Product Model	Order No.	Inserts	Product Model	Order No.
Male	DGM-0.37	1 007 06 0000015	Female	DGF-0.37	1 007 07 0000015
	DGM-0.5	1 007 06 0000016		DGF-0.5	1 007 07 0000016
	DGM-0.75	1 007 06 0000017		DGF-0.75	1 007 07 0000017
	DGM-1.0	1 007 06 0000018		DGF-1.0	1 007 07 0000018
	DGM-1.5	1 007 06 0000019		DGF-1.5	1 007 07 0000019
	DGM-2.5	1 007 06 0000020		DGF-2.5	1 007 07 0000020

接插芯件

Contact inserts

BEISIT®

→ HDD-108+ ⊕

250V/10A Size 24B 108+ ⊕

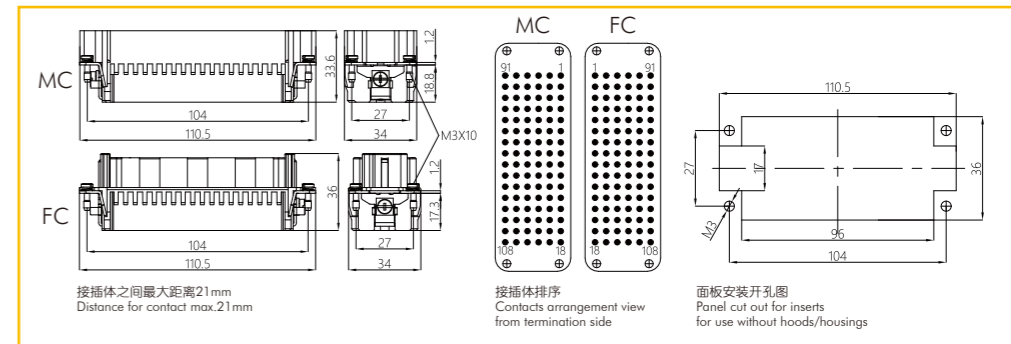
匹配 H24B 外壳系列,参见P151-159 For H24B,Hood/Housing Please Refer Page No. P151-159

Identification	Product Model	Order No.	Product Model	Order No.
----------------	---------------	-----------	---------------	-----------

冷压连接/Crimp termination

HDD-108-MC	1 007 03 0000089	HDD-108-FC	1 007 03 0000090
------------	------------------	------------	------------------

Dimensions mm



附件 Accessories

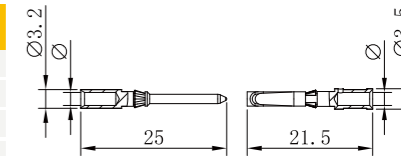
接触电阻 ≤ 3 mΩ / Contact resistance ≤ 3 mΩ

镀银 silver plated

10A冷压针孔



Inserts	Product Model	Order No.	Inserts	Product Model	Order No.
Male	DSM-0.37	1 007 06 0000009	Female	DSF-0.37	1 007 07 0000009
	DSM-0.5	1 007 06 0000010		DSF-0.5	1 007 07 0000010
	DSM-0.75	1 007 06 0000011		DSF-0.75	1 007 07 0000011
	DSM-1.0	1 007 06 0000012		DSF-1.0	1 007 07 0000012
	DSM-1.5	1 007 06 0000013		DSF-1.5	1 007 07 0000013
	DSM-2.5	1 007 06 0000014		DSF-2.5	1 007 07 0000014



Wire gauge	φ	Stripping length
0.09-0.25 mm ²	AWG 28-24	0.65 mm
0.14-0.37 mm ²	AWG 26-22	0.9 mm
0.5 mm ²	AWG 20	1.1 mm
0.75 mm ²	AWG 18	1.3 mm
1 mm ²	AWG 18	1.45 mm
1.5 mm ²	AWG 16	1.75 mm
2.5 mm ²	AWG 14	2.25 mm

镀金 gold plated



Inserts	Product Model	Order No.	Inserts	Product Model	Order No.
Male	DGM-0.37	1 007 06 0000015	Female	DGF-0.37	1 007 07 0000015
	DGM-0.5	1 007 06 0000016		DGF-0.5	1 007 07 0000016
	DGM-0.75	1 007 06 0000017		DGF-0.75	1 007 07 0000017
	DGM-1.0	1 007 06 0000018		DGF-1.0	1 007 07 0000018
	DGM-1.5	1 007 06 0000019		DGF-1.5	1 007 07 0000019
	DGM-2.5	1 007 06 0000020		DGF-2.5	1 007 07 0000020

接插芯件

Contact inserts

→ HDD-144+

250V/10A Size 32B 144+

匹配 H32B 外壳系列,参见P160-163 For H32B,Hood/Housing Please Refer Page No. P160-163

Identification	Product Model	Order No.	Product Model	Order No.
冷压连接/Crimp termination	HDD-072-MC	1 007 03 0000087	HDD-072-FC	1 007 03 0000088
	HDD-144-MC(73-144)	1 007 03 0000091	HDD-144-FC(73-144)	1 007 03 0000092

Dimensions mm	
<p>接插体之间最大距离21mm Distance for contact max.21mm</p>	<p>接插体排序 Contacts arrangement view from termination side</p>
<p>面板安装开孔图 Panel cut out for inserts for use without hoods/housings</p>	

附件 Accessories

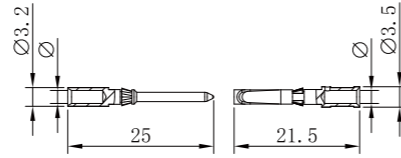
接触电阻 ≤ 3 mΩ / Contact resistance ≤ 3 mΩ

镀银 silver plated

10A冷压针孔



Inserts	Product Model	Order No.	Inserts	Product Model	Order No.
Male	DSM-0.37	1 007 06 0000009	Female	DSF-0.37	1 007 07 0000009
	DSM-0.5	1 007 06 0000010		DSF-0.5	1 007 07 0000010
	DSM-0.75	1 007 06 0000011		DSF-0.75	1 007 07 0000011
	DSM-1.0	1 007 06 0000012		DSF-1.0	1 007 07 0000012
	DSM-1.5	1 007 06 0000013		DSF-1.5	1 007 07 0000013
	DSM-2.5	1 007 06 0000014		DSF-2.5	1 007 07 0000014



Wire gauge		φ	Stripping length
0.09-0.25 mm ²	AWG 28-24	0.65 mm	5 mm
0.14-0.37 mm ²	AWG 26-22	0.9 mm	8 mm
0.5 mm ²	AWG 20	1.1 mm	8 mm
0.75 mm ²	AWG 18	1.3 mm	8 mm
1 mm ²	AWG 18	1.45 mm	8 mm
1.5 mm ²	AWG 16	1.75 mm	8 mm
2.5 mm ²	AWG 14	2.25 mm	6 mm

镀金 gold plated



Inserts	Product Model	Order No.	Inserts	Product Model	Order No.
Male	DGM-0.37	1 007 06 0000015	Female	DGF-0.37	1 007 07 0000015
	DGM-0.5	1 007 06 0000016		DGF-0.5	1 007 07 0000016
	DGM-0.75	1 007 06 0000017		DGF-0.75	1 007 07 0000017
	DGM-1.0	1 007 06 0000018		DGF-1.0	1 007 07 0000018
	DGM-1.5	1 007 06 0000019		DGF-1.5	1 007 07 0000019
	DGM-2.5	1 007 06 0000020		DGF-2.5	1 007 07 0000020

接插芯件

Contact inserts

→ HDD-216+

250V/10A Size 48B 216+

匹配 H48B 外壳系列,参见P164-165 For H48B,Hood/Housing Please Refer Page No. P164-165

Identification	Product Model	Order No.	Product Model	Order No.
冷压连接/Crimp termination	HDD-108-MC	1 007 03 0000089	HDD-108-FC	1 007 03 0000090
	HDD-216-MC(109-216)	1 007 03 0000093	HDD-216-FC(109-216)	1 007 03 0000094

Dimensions mm	
<p>接插体之间最大距离21mm Distance for contact max.21mm</p>	<p>接插体排序 Contacts arrangement view from termination side</p>
<p>面板安装开孔图 Panel cut out for inserts for use without hoods/housings</p>	

附件 Accessories

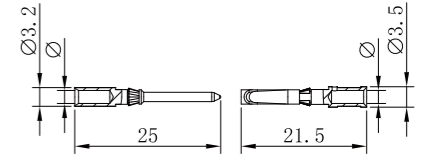
接触电阻 ≤ 3 mΩ / Contact resistance ≤ 3 mΩ

镀银 silver plated

10A冷压针孔



Inserts	Product Model	Order No.	Inserts	Product Model	Order No.
Male	DSM-0.37	1 007 06 0000009	Female	DSF-0.37	1 007 07 0000009
	DSM-0.5	1 007 06 0000010		DSF-0.5	1 007 07 0000010
	DSM-0.75	1 007 06 0000011		DSF-0.75	1 007 07 0000011
	DSM-1.0	1 007 06 0000012		DSF-1.0	1 007 07 0000012
	DSM-1.5	1 007 06 0000013		DSF-1.5	1 007 07 0000013
	DSM-2.5	1 007 06 0000014		DSF-2.5	1 007 07 0000014



Wire gauge		φ	Stripping length
0.09-0.25 mm ²	AWG 28-24	0.65 mm	5 mm
0.14-0.37 mm ²	AWG 26-22	0.9 mm	8 mm
0.5 mm ²	AWG 20	1.1 mm	8 mm
0.75 mm ²	AWG 18	1.3 mm	8 mm
1 mm ²	AWG 18	1.45 mm	8 mm
1.5 mm ²	AWG 16	1.75 mm	8 mm
2.5 mm ²	AWG 14	2.25 mm	6 mm

镀金 gold plated



Inserts	Product Model	Order No.	Inserts	Product Model	Order No.
Male	DGM-0.37	1 007 06 0000015	Female	DGF-0.37	1 007 07 0000015
	DGM-0.5	1 007 06 0000016		DGF-0.5	1 007 07 0000016
	DGM-0.75	1 007 06 0000017		DGF-0.75	1 007 07 0000017
	DGM-1.0	1 007 06 0000018		DGF-1.0	1 007 07 0000018
	DGM-1.5	1 007 06 0000019		DGF-1.5	1 007 07 0000019
	DGM-2.5	1 007 06 0000020		DGF-2.5	1 007 07 0000020

插芯 Inserts 可与框架及其他所有模块产品组合使用 Combination with hinged frame and other modules possible.

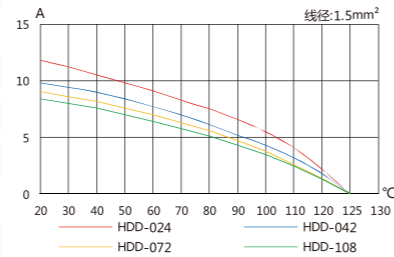
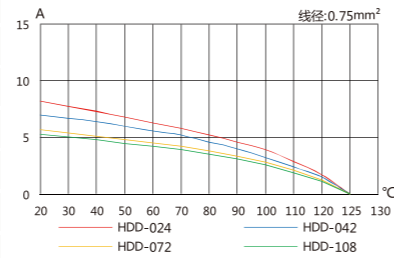
技术参数 Technical Characteristics

规范	Specifications	DIN EN 60 664 / DIN EN 61 984
插芯	Inserts	
接插件针数	Number Of Contacts	55,75,107+PE
额定电流 (见负载图)	Rated current (see current carrying capacity)	10A
额定电压	Rated Voltage	250V
额定脉冲电压	Rated Impulse Voltage	4KV
污染程度2时	Pollution Degree 2	10A 230/400V 4KV
污染程度	Pollution Degree	3
绝缘电阻	Insulation Resistance	$\geq 10^{10}\Omega$
材料	Material	聚碳酸酯 Polycarbonate
工作温度范围	Limiting Temperatures	-40°C...+125°C
依据UL 94的阻燃等级	Flammability Acc. To UI94	V0
据UL/CSA额定电压	Rated voltage acc.to UL/CSA	600V
可拔插次数	Mechanical Working Life-mating Cycles	≥ 500
插针	Contacts	
材料	Material	铜合金 Copper Alloy
表面处理	Surface	镀银/镀金 Hard silver-plated Hard gold-plated
接触电阻	Contact Resistance	$\leq 3m\Omega$
冷压压接	Crimp Terminal	
导线规格	Wire gauge	0.14-2.5mm ² AWG 26-14

电流负载能力
Current Carrying Capacity

电流负载能力所受的限制主要来自包含接插针的接插体可承受的最大温度。测试和控制过程依据 IEC 60512-3。

The current carrying is limited by maximum temperature of materials for Inserts and contacts including terminals. Measuring and testing techniques according to IEC 60512-3.



→ HDDD-55+ ⊕

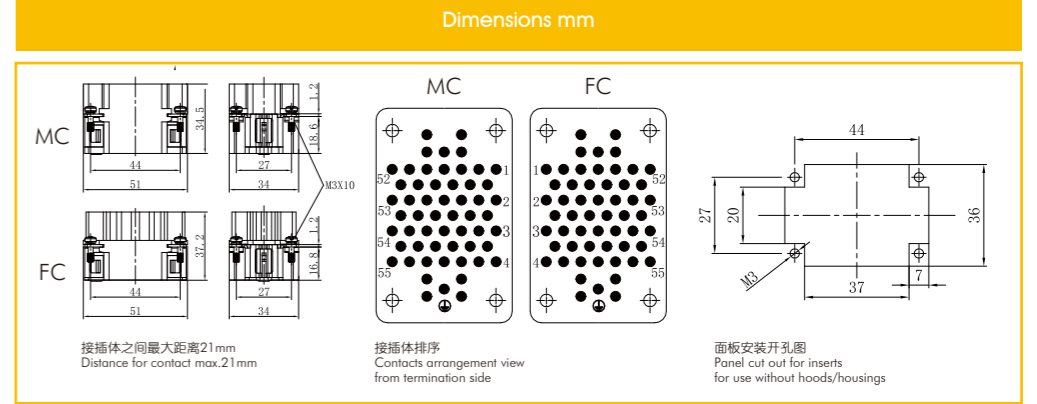
250V/10A Size 6B 55+ ⊕

匹配 H6B 外壳系列,参见P130-132 For H6B,Hood/Housing Please Refer Page No. P130-132

Identification	Product Model	Order No.	Product Model	Order No.
----------------	---------------	-----------	---------------	-----------

冷压连接/Crimp termination

HDDD-055-MC	1 007 03 0000149	HDDD-055-FC	1 007 03 0000150
-------------	------------------	-------------	------------------



附件 Accessories

接触电阻 $\leq 3 m\Omega$ / Contact resistance $\leq 3m\Omega$

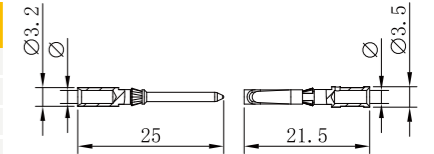
10A冷压针孔



Inserts	Product Model	Order No.
Male	DSM-0.37	1 007 06 0000009
	DSM-0.5	1 007 06 0000010
	DSM-0.75	1 007 06 0000011
	DSM-1.0	1 007 06 0000012
	DSM-1.5	1 007 06 0000013
	DSM-2.5	1 007 06 0000014

镀银 silver plated

Inserts	Product Model	Order No.
Female	DSF-0.37	1 007 07 0000009
	DSF-0.5	1 007 07 0000010
	DSF-0.75	1 007 07 0000011
	DSF-1.0	1 007 07 0000012
	DSF-1.5	1 007 07 0000013
	DSF-2.5	1 007 07 0000014



镀金 gold plated



Inserts	Product Model	Order No.
Male	DGM-0.37	1 007 06 0000015
	DGM-0.5	1 007 06 0000016
	DGM-0.75	1 007 06 0000017
	DGM-1.0	1 007 06 0000018
	DGM-1.5	1 007 06 0000019
	DGM-2.5	1 007 06 0000020

Inserts	Product Model	Order No.
Female	DGF-0.37	1 007 07 0000015
	DGF-0.5	1 007 07 0000016
	DGF-0.75	1 007 07 0000017
	DGF-1.0	1 007 07 0000018
	DGF-1.5	1 007 07 0000019
	DGF-2.5	1 007 07 0000020

Wire gauge		φ	Stripping length
0.09-0.25 mm ²	AWG 28-24	0.65 mm	5 mm
0.14-0.37 mm ²	AWG 26-22	0.9 mm	8 mm
0.5 mm ²	AWG 20	1.1 mm	8 mm
0.75 mm ²	AWG 18	1.3 mm	8 mm
1 mm ²	AWG 18	1.45 mm	8 mm
1.5 mm ²	AWG 16	1.75 mm	8 mm
2.5 mm ²	AWG 14	2.25 mm	6 mm

接插芯件
Contact inserts



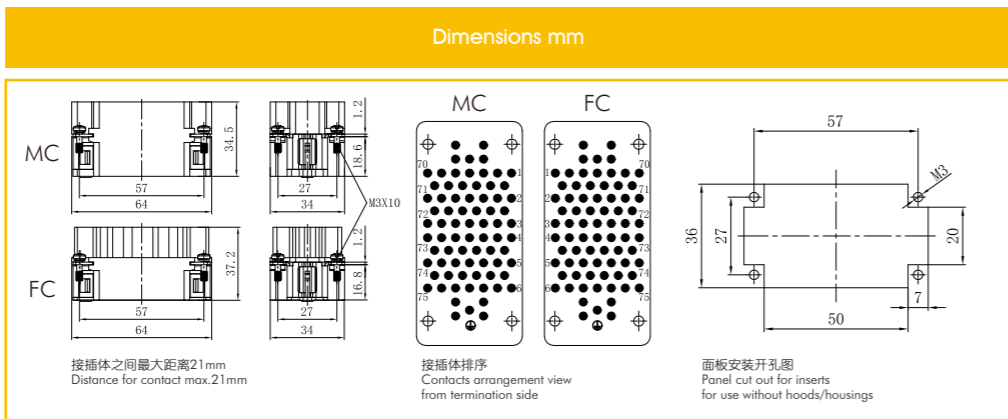
→ HDDD-75+ ⊕

250V/10A Size 10B 75+ ⊕
匹配 H10B 外壳系列, 参见P133-141 For H10B,Hood/Housing Please Refer Page No. P133-141

Identification	Product Model	Order No.	Product Model	Order No.
----------------	---------------	-----------	---------------	-----------

冷压连接/Crimp termination

HDDD-075-MC	1 007 03 0000151	HDDD-075-FC	1 007 03 0000152
-------------	------------------	-------------	------------------



附件 Accessories

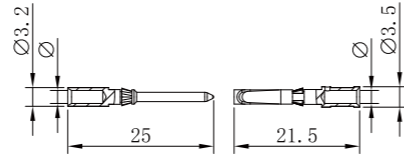
接触电阻 ≤ 3 mΩ / Contact resistance ≤ 3mΩ

镀银 silver plated

10A冷压针孔



Inserts	Product Model	Order No.	Inserts	Product Model	Order No.
Male	DSM-0.37	1 007 06 000009	Female	DSF-0.37	1 007 07 000009
	DSM-0.5	1 007 06 000010		DSF-0.5	1 007 07 000010
	DSM-0.75	1 007 06 000011		DSF-0.75	1 007 07 000011
	DSM-1.0	1 007 06 000012		DSF-1.0	1 007 07 000012
	DSM-1.5	1 007 06 000013		DSF-1.5	1 007 07 000013
	DSM-2.5	1 007 06 000014		DSF-2.5	1 007 07 000014



Wire gauge	φ	Stripping length
0.09-0.25 mm ²	AWG 28-24	0.65 mm
0.14-0.37 mm ²	AWG 26-22	0.9 mm
0.5 mm ²	AWG 20	1.1 mm
0.75 mm ²	AWG 18	1.3 mm
1 mm ²	AWG 18	1.45 mm
1.5 mm ²	AWG 16	1.75 mm
2.5 mm ²	AWG 14	2.25 mm

镀金 gold plated



Inserts	Product Model	Order No.	Inserts	Product Model	Order No.
Male	DGM-0.37	1 007 06 000015	Female	DGF-0.37	1 007 07 000015
	DGM-0.5	1 007 06 000016		DGF-0.5	1 007 07 000016
	DGM-0.75	1 007 06 000017		DGF-0.75	1 007 07 000017
	DGM-1.0	1 007 06 000018		DGF-1.0	1 007 07 000018
	DGM-1.5	1 007 06 000019		DGF-1.5	1 007 07 000019
	DGM-2.5	1 007 06 000020		DGF-2.5	1 007 07 000020

接插芯件
Contact inserts



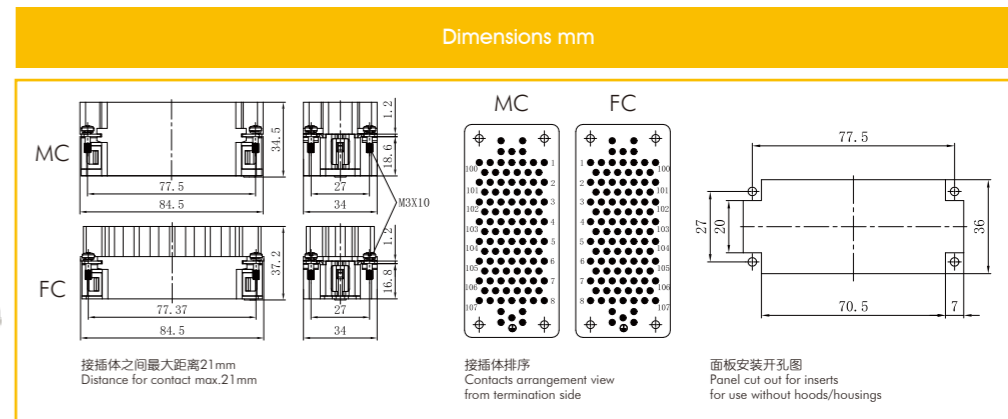
→ HDDD-107+ ⊕

250V/10A Size 16B 107+ ⊕
匹配 H16B 外壳系列, 参见P142-150 For H16B,Hood/Housing Please Refer Page No. P142-150

Identification	Product Model	Order No.	Product Model	Order No.
----------------	---------------	-----------	---------------	-----------

冷压连接/Crimp termination

HDDD-107-MC	1 007 03 0000153	HDDD-107-FC	1 007 03 0000154
-------------	------------------	-------------	------------------



附件 Accessories

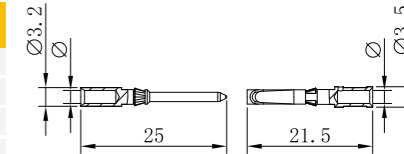
接触电阻 ≤ 3 mΩ / Contact resistance ≤ 3mΩ

镀银 silver plated

10A冷压针孔



Inserts	Product Model	Order No.	Inserts	Product Model	Order No.
Male	DSM-0.37	1 007 06 000009	Female	DSF-0.37	1 007 07 000009
	DSM-0.5	1 007 06 000010		DSF-0.5	1 007 07 000010
	DSM-0.75	1 007 06 000011		DSF-0.75	1 007 07 000011
	DSM-1.0	1 007 06 000012		DSF-1.0	1 007 07 000012
	DSM-1.5	1 007 06 000013		DSF-1.5	1 007 07 000013
	DSM-2.5	1 007 06 000014		DSF-2.5	1 007 07 000014



Wire gauge	φ	Stripping length
0.09-0.25 mm ²	AWG 28-24	0.65 mm
0.14-0.37 mm ²	AWG 26-22	0.9 mm
0.5 mm ²	AWG 20	1.1 mm
0.75 mm ²	AWG 18	1.3 mm
1 mm ²	AWG 18	1.45 mm
1.5 mm ²	AWG 16	1.75 mm
2.5 mm ²	AWG 14	2.25 mm

镀金 gold plated



Inserts	Product Model	Order No.	Inserts	Product Model	Order No.
Male	DGM-0.37	1 007 06 000015	Female	DGF-0.37	1 007 07 000015
	DGM-0.5	1 007 06 000016		DGF-0.5	1 007 07 000016
	DGM-0.75	1 007 06 000017		DGF-0.75	1 007 07 000017
	DGM-1.0	1 007 06 000018		DGF-1.0	1 007 07 000018
	DGM-1.5	1 007 06 000019		DGF-1.5	1 007 07 000019
	DGM-2.5	1 007 06 000020		DGF-2.5	1 007 07 000020

插芯 Inserts 可与框架及其他所有模块产品组合使用 Combination with hinged frame and other modules possible.

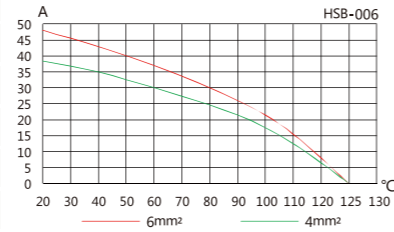
技术参数 Technical Characteristics

规范	Specifications	DIN EN 60 664 / DIN EN 61 984
插芯	Inserts	
接插件针数	Number Of Contacts	6,12(2x6)+PE
额定电流 (见负载图)	Rated current (see current carrying capacity)	35A
额定脉冲电压	Rated Impulse Voltage	6KV
污染程度2时	Pollution Degree 2	400/690V
污染程度	Pollution Degree	3
绝缘电阻	Insulation Resistance	$\geq 10^{10}\Omega$
材料	Material	聚碳酸酯 Polycarbonate
工作温度范围	Limiting Temperatures	-40°C...+125°C
依据UL 94的阻燃等级	Flammability Acc. To UI94	V0
据UL/CSA额定电压	Rated voltage acc.to UL/CSA	600V
可拔插次数	Mechanical Working Life-mating Cycles	≥ 500
插针	Contacts	
材料	Material	铜合金 Copper Alloy
表面处理	Surface	镀银/镀金 Hard silver-plated Hard gold-plated
接触电阻	Contact Resistance	$\leq 1m\Omega$
螺钉连接	Screw Terminal	
导线规格	Wire gauge	1.5-6mm ² AWG 10
螺钉拧紧力矩	Tightening Torque	1.2N.m

电流负载能力
 Current Carrying Capacity

电流负载能力所受的限制主要来自包含接插针的接插体可承受的最大温度。
 测试和控制过程依据 IEC 60512-3。

The current carrying is limited by maximum temperature of materials for Inserts and contacts including terminals.
 Measuring and testing techniques according to IEC 60512-3.



Product introduction
接插芯件

Contact inserts

→ HSB-6+

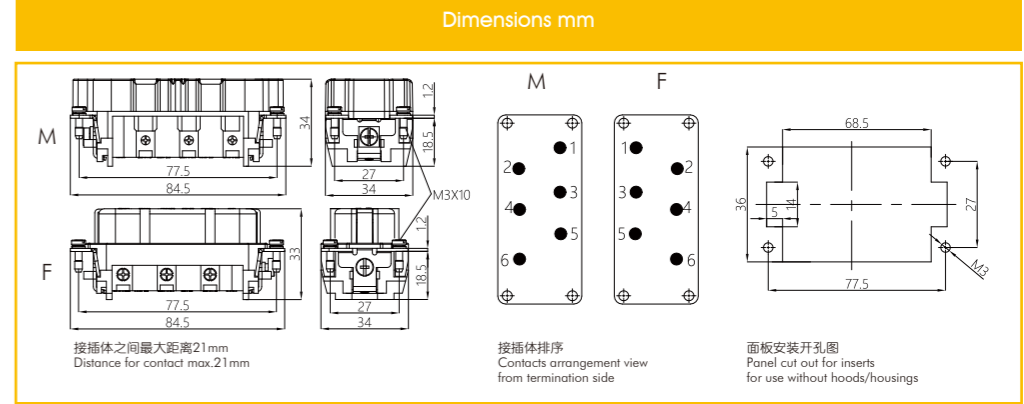
400V/690V 35A Size 16B 6+

匹配 H16B 外壳系列,参见P142-150 For H16B,Hood/Housing Please Refer Page No. P142-150

Identification	Product Model	Order No.	Product Model	Order No.
----------------	---------------	-----------	---------------	-----------

螺钉连接/Screw termination

HSB-006-M	1 007 03 0000095	HSB-006-F	1 007 03 0000096
-----------	------------------	-----------	------------------



→ HSB-12+

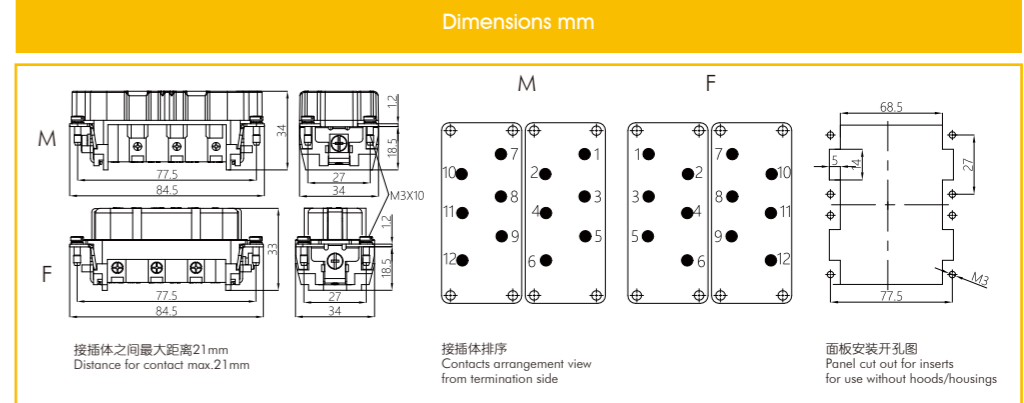
400V/690V 35A Size 32B 12+

匹配 H32B 外壳系列,参见P110-P113 For H32B,Hood/Housing Please Refer Page No. P110-P113

Identification	Product Model	Order No.	Product Model	Order No.
----------------	---------------	-----------	---------------	-----------

螺钉连接/Screw termination

HSB-006-M	1 007 03 0000095	HSB-006-F	1 007 03 0000096
HSB-012-M(7-12)	1 007 03 0000097	HSB-012-F(7-12)	1 007 03 0000098



HK-004/0,004/2系列技术特性

HK-004/0,004/2 technical Characteristics



插芯 Inserts 可与框架及其他所有模块产品组合使用 Combination with hinged frame and other modules possible.

技术参数 Technical Characteristics

规范	Specifications	DIN EN 60 664 / DIN EN 61 984														
插芯	Inserts															
接插件针数	Number Of Contacts	4/0+PE, 4/2+PE														
额定电流 (见负载图)	Rated Current (see current carrying capacity)															
电力区	Power Area	80A														
信号区	Signal Area	16A														
额定电压	Rated Voltage															
电力区	Power Area	830V														
信号区	Signal Area	400V														
污染等级	Pollution Degree	3														
污染等级2时	Pollution degree 2															
电力区	Power Area	1000V														
信号区	Signal Area	400/690V														
额定脉冲电压	Rated Impulse Voltage															
电力区	Power Area	8KV														
信号区	Signal Area	6KV														
绝缘电阻	Insulation Resistance	$\geq 10^{10}\Omega$														
材料	Material	聚碳酸酯 Polycarbonate														
工作温度范围	Limiting Temperatures	-40°C...+125°C														
依据UL 94的阻燃等级	Flammability Acc. To UI94	V0														
据UL/CSA额定电压	Rated voltage acc.to UL/CSA	600V/300V														
可拔插次数	Mechanical Working Life-mating Cycles	≥ 500														
插针	Contacts															
材料	Material	铜合金 Copper Alloy														
表面处理	Surface	镀银/镀金 Hard silver-plated Hard gold-plated														
接触电阻	Contact Resistance															
电力区	Power Area	$\leq 0.3m\Omega$														
信号区	Signal Area	$\leq 1m\Omega$														
接线形式	Terminal	螺钉压接 Screw terminal														
导线规格	Wire gauge															
电力区	Power Area	1.5-16mm ² AWG 16-6														
信号区	Signal Area	0.5-2.5mm ² AWG 20-14														
螺钉拧紧力矩	Tightening Torque															
电力区	Power Area	<table border="1"> <tr> <td>mm²</td> <td>1.5</td> <td>2.5</td> <td>4</td> <td>6</td> <td>10</td> <td>16</td> </tr> <tr> <td>N.m</td> <td>1.2</td> <td>2</td> <td>3</td> <td>3</td> <td>3</td> <td>3</td> </tr> </table>	mm ²	1.5	2.5	4	6	10	16	N.m	1.2	2	3	3	3	3
mm ²	1.5	2.5	4	6	10	16										
N.m	1.2	2	3	3	3	3										
信号区	Signal Area	0.5 N.m														

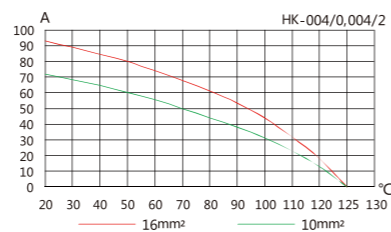
电流负载能力

Current Carrying Capacity

电流负载能力所受的限制主要来自包含接插针的接插体可承受的最大温度。

测试和控制过程依据 IEC 60512-3。

The current carrying is limited by maximum temperature of materials for Inserts and contacts including terminals. Measuring and testing techniques according to IEC 60512-3.



接插芯件

Contact inserts

→ HK-004/0,004/2

830V/400V 80/16A Size 16B 4/0,4/2+⊕

匹配 H16B 外壳系列,参见P142-150 For H16B,Hood/Housing Please Refer Page No. P142-150

Identification	Product Model	Order No.	Product Model	Order No.
----------------	---------------	-----------	---------------	-----------

螺钉连接/Screw termination

HK-004/0-M	1 007 03 0000099	HK-004/0-F	1 007 03 0000100
------------	------------------	------------	------------------

Dimensions mm

接插体之间最大距离21mm
Distance for contact max.21mm

接插体排序
Contacts arrangement view from termination side

面板安装开孔图
Panel cut out for inserts for use without hoods/housings

HK-004/2-M	1 007 03 0000101	HK-004/2-F	1 007 03 0000102
------------	------------------	------------	------------------

Dimensions mm

接插体之间最大距离21mm
Distance for contact max.21mm

接插体排序
Contacts arrangement view from termination side

面板安装开孔图
Panel cut out for inserts for use without hoods/housings

HK-004/8系列技术特性

HK-004/8 technical Characteristics



插芯 Inserts 可与框架及其他所有模块产品组合使用 Combination with hinged frame and other modules possible.

技术参数 Technical Characteristics

规范	Specifications	DIN EN 60 664 / DIN EN 61 984														
插芯	Inserts															
接插件针数	Number Of Contacts	4/8+PE														
额定电流 (见负载图)	Rated Current (see current carrying capacity)															
电力区	Power Area	80A														
信号区	Signal Area	16A														
额定电压	Rated Voltage															
电力区	Power Area	830V														
信号区	Signal Area	400V														
污染等级	Pollution Degree	3														
污染等级2时	Pollution degree 2															
电力区	Power Area	400V/690V/6KV														
额定脉冲电压	Rated Impulse Voltage															
电力区	Power Area	8KV														
信号区	Signal Area	6KV														
绝缘电阻	Insulation Resistance	$\geq 10^{10}\Omega$														
材料	Material	聚碳酸酯 Polycarbonate														
工作温度范围	Limiting Temperatures	-40°C...+125°C														
依据UL 94的阻燃等级	Flammability Acc. To UL94	V0														
据UL/CSA额定电压	Rated voltage acc.to UL/CSA	600V/300V														
可拔插次数	Mechanical Working Life-mating Cycles	≥ 500														
插针	Contacts															
材料	Material	铜合金 Copper Alloy														
表面处理	Surface	镀银/镀金 Hard silver-plated Hard gold-plated														
接触电阻	Contact Resistance															
电力区	Power Area	$\leq 0.3m\Omega$														
信号区	Signal Area	$\leq 1m\Omega$														
接线形式	Terminal	螺钉压接 Screw terminal														
导线规格	Wire gauge															
电力区	Power Area	1.5-16mm ² AWG 16-6														
信号区	Signal Area	0.5-2.5mm ² AWG 20-14														
螺钉拧紧力矩	Tightening Torque															
电力区	Power Area	<table border="1"> <tr> <td>mm</td> <td>1.5</td> <td>2.5</td> <td>4</td> <td>6</td> <td>10</td> <td>16</td> </tr> <tr> <td>N.m</td> <td>1.2</td> <td>2</td> <td>3</td> <td>3</td> <td>3</td> <td>3</td> </tr> </table>	mm	1.5	2.5	4	6	10	16	N.m	1.2	2	3	3	3	3
mm	1.5	2.5	4	6	10	16										
N.m	1.2	2	3	3	3	3										
信号区	Signal Area	0.5 N.m														

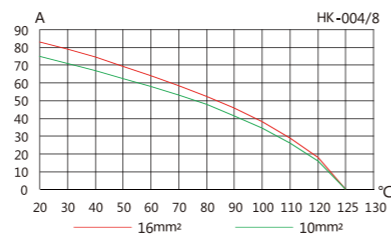
电流负载能力

Current Carrying Capacity

电流负载能力所受的限制主要来自包含接插针的接插体可承受的最大温度。

测试和控制过程依据 IEC 60512-3。

The current carrying is limited by maximum temperature of materials for Inserts and contacts including terminals. Measuring and testing techniques according to IEC 60512-3.



接插芯件

Contact inserts



→ HK-004/8

830V/400V 80/16A Size 24B 4/8+⊕

匹配 H24B 外壳系列,参见P151-159 For H24B,Hood/Housing Please Refer Page No. P151-159

Identification	Product Model	Order No.	Product Model	Order No.
	HK-004/8-M	1 007 03 0000103	HK-004/8-F	1 007 03 0000104

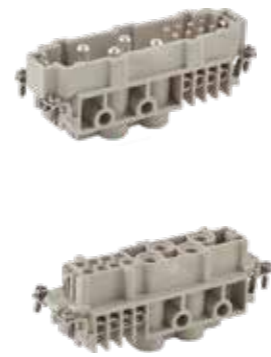
螺钉连接/Screw termination

Dimensions mm

接插体之间最大距离21mm
Distance for contact max.21mm

接插体排序
Contacts arrangement view from termination side

面板安装开孔图
Panel cut out for inserts for use without hoods/housings



Product introduction

Contact inserts

Housing

Tools

Technical guidance

Index

Product introduction

Contact inserts

Housing

Tools

Technical guidance

Index

金属模块框架

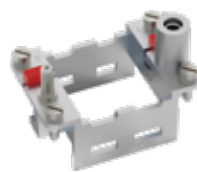
Metal module frame

→ 6B/10B/16B/24B

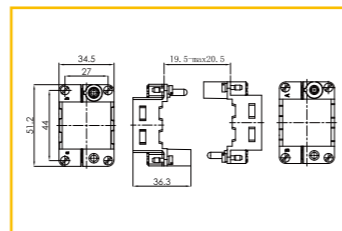
技术参数	Technical Parameter
模块数量	Number of Modules 2, 3, 4, 6
接地线	Ground Wire
功率线	Power Line 4-10mm ² 选配 choosing PE-E16, 可扩展到 extended to 16mm ² 选配 choosing PE-E25, 可扩展到 extended to 25mm ² (详见 page P10-20页), 仅适配高结构外壳或OM only for high structure housings or OM] AWG 12-8
信号线	The Signal Line 1-2.5mm ² 18-14
材料	Material 压铸锌合金 Die Cast Zinc Alloy
工作温度范围	Temperature range -40 C...+125 C
可拔插次数	Mechanical working life(mating cycles) ≥ 500

Identification	Product Model	Order No.	Dimensions mm
----------------	---------------	-----------	---------------

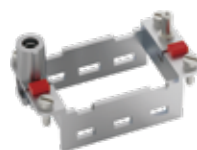
6B 活动框架/6B Activity Framework



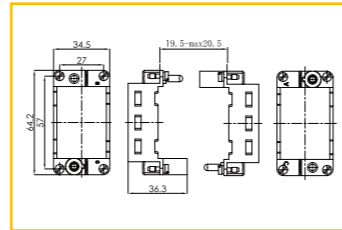
H06B-02-M-1	1 007 05 0000001
H06B-02-F-1	1 007 05 0000002



10B 活动框架/10B Activity Framework



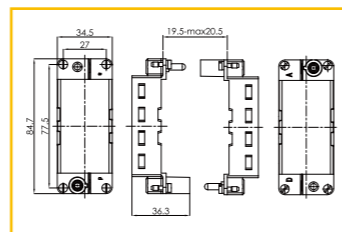
H10B-03-M-1	1 007 05 0000003
H10B-03-F-1	1 007 05 0000004



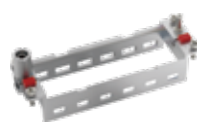
16B 活动框架/16B Activity Framework



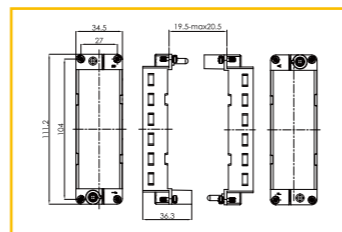
H16B-04-M-1	1 007 05 0000005
H16B-04-F-1	1 007 05 0000006



24B 活动框架/24B Activity Framework



H24B-06-M-1	1 007 05 0000007
H24B-06-F-1	1 007 05 0000008



金属模块框架

Metal module frame

→ 6B/10B/16B/24B

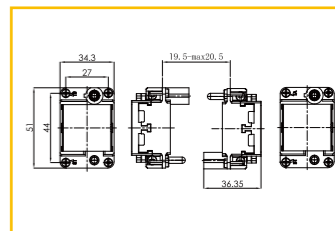
技术参数	Technical Parameter
模块数量	Number of Modules 2, 3, 4, 6
接地线	Ground Wire
功率线	Power Line 4-10mm ² 选配 choosing PE-E16, 可扩展到 extended to 16mm ² 选配 choosing PE-E25, 可扩展到 extended to 25mm ² (详见 page P10-20页), 仅适配高结构外壳或OM only for high structure housings or OM] AWG 12-8
信号线	The Signal Line 1-2.5mm ² 18-14
材料	Material 压铸锌合金 Die Cast Zinc Alloy
工作温度范围	Temperature range -40 C...+125 C
可拔插次数	Mechanical working life(mating cycles) ≥ 500

Identification	Product Model	Order No.	Dimensions mm
----------------	---------------	-----------	---------------

6B 活动框架/6B Activity Framework



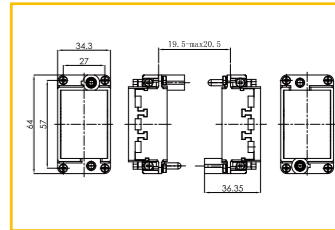
H06B-02-M-2	1 007 05 0000009
H06B-02-F-2	1 007 05 0000035



10B 活动框架/10B Activity Framework



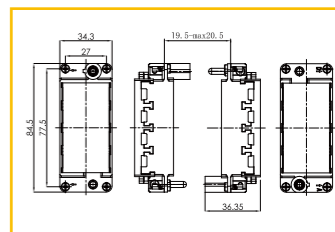
H10B-03-M-2	1 007 05 0000010
H10B-03-F-2	1 007 05 0000036



16B 活动框架/16B Activity Framework



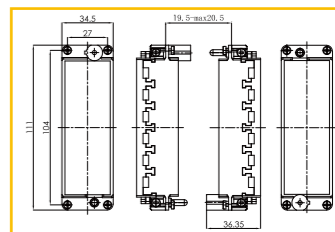
H16B-04-M-2	1 007 05 0000011
H16B-04-F-2	1 007 05 0000037



24B 活动框架/24B Activity Framework



H24B-06-M-2	1 007 05 0000012
H24B-06-F-2	1 007 05 0000038



金属模块框架

Metal module frame

→ 10A

技术参数	Technical Parameter
模块数量	Number of Modules
接地线	Ground Wire
功率线	Power Line
信号线	The Signal Line
材料	Material
工作温度范围	Temperature range
可拔插次数	Mechanical working life(mating cycles)

适用单个模块 Frame for 1 module

4-10mm²
选配 choosing PE-E16, 可扩展到 extended to 16mm²
选配 choosing PE-E25, 可扩展到 extended to 25mm²
(详见 page P10-20页), 仅适配高结构外壳或OM only for high structure housings or OM]

AWG 12-8

1-2.5mm²
18-14

压铸锌合金 Die Cast Zinc Alloy

-40 C...+125 C

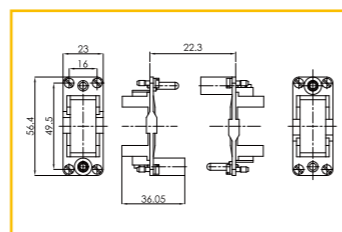
≥ 500

Identification	Product Model	Order No.	Dimensions mm
----------------	---------------	-----------	---------------

10A 活动框架/10A Activity Framework



H10A-01-M-1	1 007 05 000013
H10A-01-F-1	1 007 05 000014



空置模块

Filling module

材料 Material: 聚碳酸酯 Polycarbonate

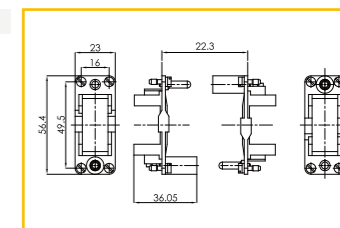
Identification	Product Model	Order No.	Dimensions mm
----------------	---------------	-----------	---------------

空置模块/Filling module



HM-000-2	1 007 04 000019
----------	-----------------

用于填充固定框架内剩余的模块空间

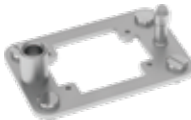
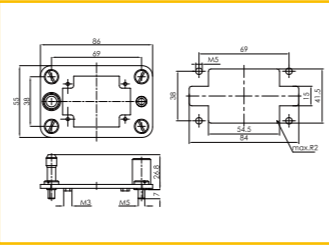

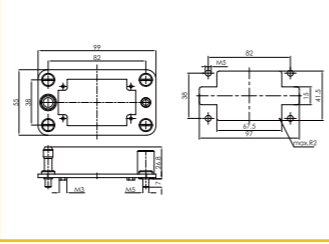

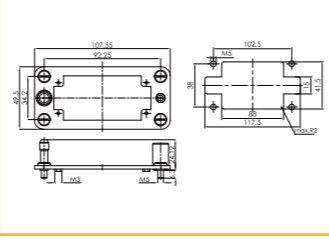

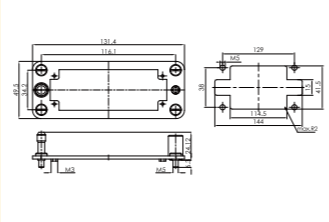


金属对接框架

Metal docking frame

→ 6B/10B/16B/24B

材料 Material: 金属 Metal


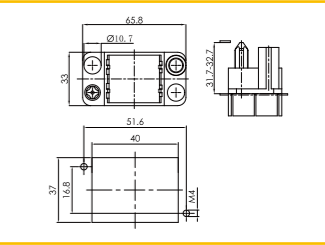

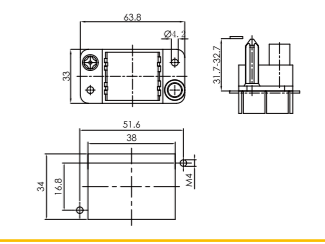

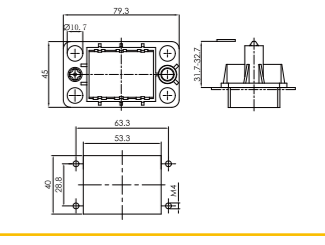

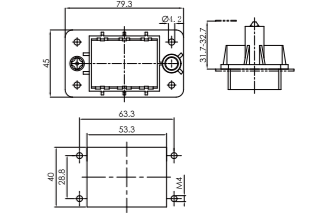
Identification	Product Model	Order No.	Dimensions mm
<p>6B 金属对接框架/6B Metal docking frame</p> 	H06B-01-ADK-1	1 007 05 000015	
<p>10B 金属对接框架/10B Metal docking frame</p> 	H10B-01-ADK-1	1 007 05 000016	
<p>16B 金属对接框架/16B Metal docking frame</p> 	H16B-01-ADK-1	1 007 05 000017	
<p>24B 金属对接框架/24B Metal docking frame</p> 	H24B-01-ADK-1	1 007 05 000018	

塑料浮动框架

Plastic floating frame

→ 2/3

材料 Material: 聚碳酸酯 Polycarbonate


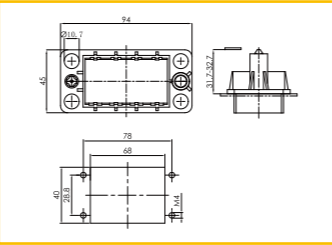

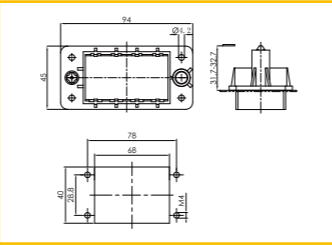

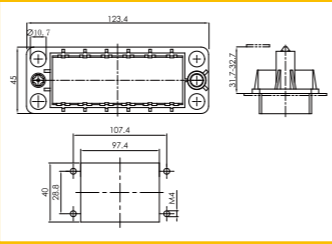

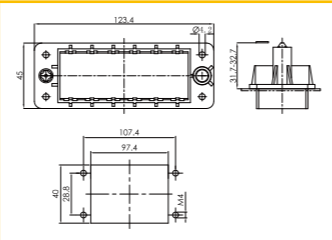
Identification	Product Model	Order No.	Dimensions mm
<p>2个模块用对接架/Docking rack for 2 modules</p> 	HPDF-02-M-1	1 007 05 000027	
<p>2个模块用对接架/Docking rack for 2 modules</p> 	HPDF-02-F-1	1 007 05 000028	
<p>3个模块用对接架/Docking rack for 3 modules</p> 	HPDF-03-M-1	1 007 05 000029	
<p>3个模块用对接架/Docking rack for 3 modules</p> 	HPDF-03-F-1	1 007 05 000030	

塑料浮动框架
Plastic floating frame



→ 4/6

材料 Material: 聚碳酸酯 Polycarbonate

Identification	Product Model	Order No.	Dimensions mm
4个模块用对接架/Docking rack for 4 modules 	HPDF-04-M-1	1 007 05 000031	
4个模块用对接架/Docking rack for 4 modules 	HPDF-04-F-1	1 007 05 000032	
6个模块用对接架/Docking rack for 6 modules 	HPDF-06-M-1	1 007 05 000033	
6个模块用对接架/Docking rack for 6 modules 	HPDF-06-F-1	1 007 05 000034	

HMPE300-001 冷压型模块
Crimp Module 1000V 300A + ⊕



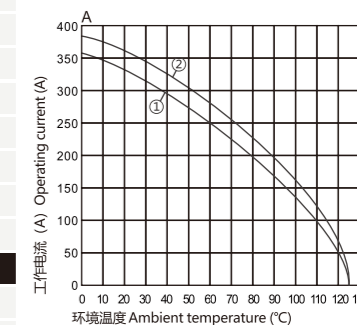
插芯 Inserts 可与框架及其他所有模块产品组合使用 Combination with hinged frame and other modules possible.

技术参数 Technical Characteristics

规范	Specifications	DIN EN 60 664 / DIN EN 61 984
插芯	Inserts	
接插件针数	Number Of Contacts	1
依据 EN 61 984 的电气数据	Electrical Data Acc. To EN 61 984	
额定电流	Rated Current	300A
额定电压	Rated Voltage	1000V
额定脉冲电压	Rated Impulse Voltage	8KV
污染程度	Pollution Degree	3
依据UL额定电压	Rated Voltage Acc.to UL	1000V
绝缘电阻	Insulation Resistance	≥10 ¹⁰ Ω
材料	Material	聚碳酸酯 Polycarbonate
工作温度范围	Limiting Temperatures	-40℃...+125℃
依据UL 94的阻燃等级	Flammability Acc. To UI94	V0
可拔插次数	Mechanical Working Life-mating Cycles	≥500
插针	Contacts	
材料	Material	铜合金 Copper Alloy
表面处理	Surface	镀银 Hard-silver Plated
接触电阻	Contact Resistance	≤0.3mΩ
冷压连接	Crimp Terminal	
mm ²	mm ²	95-120mm ²

电流负载能力
Current Carrying Capacity

电流负载能力所受的限制主要来自包含接插针的接插体可承受的最大温度。
测试和控制过程依据 DIN EN 60512-5。
The current carrying is limited by maximum temperature of materials for Inserts and contacts including terminals.
Measuring and testing techniques according to DIN EN 60512-5.

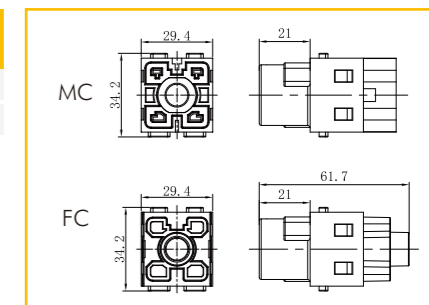


- ① 24 B hoods/housings with 3 modules, wire gauge: 95mm²
- ② 24 B hoods/housings with 3 modules, wire gauge: 120mm²

冷压连接 / Crimp Terminal



Inserts	Product Model	Order No.
Male	HM300-001-MC-1	1 007 040000001
Female	HM300-001-FC-1	1 007 040000002



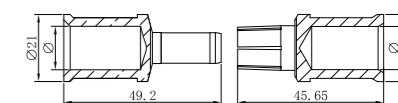
附件 Accessories

接触电阻 ≤ 0.3 mΩ / Contact resistance ≤ 0.3 mΩ

镀银 silver plated

300A冷压针孔

Inserts	Product Model	Order No.	Inserts	Product Model	Order No.
Male	CSM300-95	1 007 06 0000057	Female	CSF300-95	1 007 07 0000057
	CSM300-120	1 007 06 0000058		CSF300-120	1 007 07 0000058



Wire gauge	φ	Stripping length
95 mm ²	13.55 mm	22.5 mm
120 mm ²	15.55 mm	22.5 mm

HM200-001 轴向压接型模块

Axial Module 1000V 200A

插芯 Inserts 可与框架及其他所有模块产品组合使用 Combination with hinged frame and other modules possible.

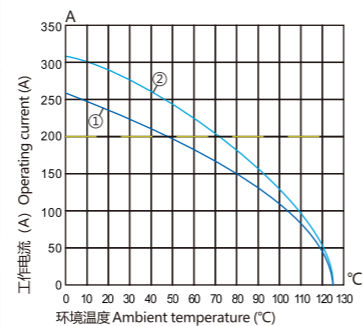
技术参数 Technical Characteristics

规范	Specifications	DIN EN 60 664 / DIN EN 61 984
插芯	Inserts	
接插件针数	Number Of Contacts	1
依据 EN 61 984 的电气数据	Electrical Data Acc. To EN 61 984	
额定电流	Rated Current	200A
额定电压	Rated Voltage	1000V
额定脉冲电压	Rated Impulse Voltage	8KV
污染程度	Pollution Degree	3
依据UL额定电压	Rated Voltage Acc.to UL	600V
绝缘电阻	Insulation Resistance	$\geq 10^{10}\Omega$
材料	Material	聚碳酸酯 Polycarbonate
工作温度范围	Limiting Temperatures	-40°C...+125°C
依据UL 94的阻燃等级	Flammability Acc. To UI94	V0
可拔插次数	Mechanical Working Life-mating Cycles	≥ 500
插针	Contacts	
材料	Material	铜合金 Copper Alloy
表面处理	Surface	镀银 Hard-silver Plated
接触电阻	Contact Resistance	$\leq 0.2m\Omega$
电缆绞线依据IEC 60 228-5	To IEC 60 228 Class 5	
轴向螺栓连接	Axial Screw Terminal	
mm ²	mm ²	25-70mm ²
AWG	AWG	2-0
内六角扳手	Hexagonal Driver	SW 5
剥线长度	Stripping length	16mm
拧紧力矩	Tightening Torque	
mm ²	mm ²	25 35 50 70
Nm	Nm	8 8 9 10

电流负载能力 Current Carrying Capacity

电流负载能力所受的限制主要来自包含接插针的接插体可承受的最大温度。
测试和控制过程依据 DIN EN 60512-5。

The current carrying is limited by maximum temperature of materials for Inserts and contacts including terminals.
Measuring and testing techniques according to DIN EN 60512-5.



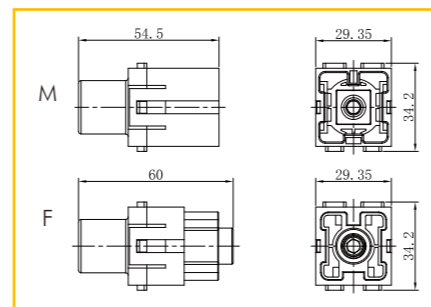
- ① 24B外壳带3个模块，导线截面：50mm²
② 24B外壳带3个模块，导线截面：70mm²

- ① 24 B hoods/housings with 3 modules, wire gauge: 50mm²
② 24 B hoods/housings with 3 modules, wire gauge: 70mm²

轴向螺栓连接 / Axial Screw Terminal



Inserts	Product Model	Order No.	Wire gauge
Male	HM200-001-M-1	1 007 04 0000009	25-40mm ²
	HM200-001-M-2	1 007 04 0000011	40-70mm ²
Female	HM200-001-F-1	1 007 04 0000010	25-40mm ²
	HM200-001-F-2	1 007 04 0000012	40-70mm ²



HMPE200-001 轴向压接型模块

Axial Module 1000V 200A+

插芯 Inserts 可与框架及其他所有模块产品组合使用 Combination with hinged frame and other modules possible.

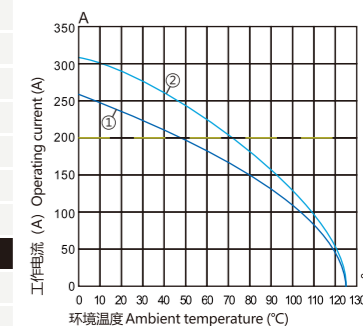
技术参数 Technical Characteristics

规范	Specifications	DIN EN 60 664 / DIN EN 61 984
插芯	Inserts	
接插件针数	Number Of Contacts	1
依据 EN 61 984 的电气数据	Electrical Data Acc. To EN 61 984	
额定电流	Rated Current	200A
额定电压	Rated Voltage	1000V
额定脉冲电压	Rated Impulse Voltage	8KV
污染程度	Pollution Degree	3
依据UL额定电压	Rated Voltage Acc.to UL	600V
绝缘电阻	Insulation Resistance	$\geq 10^{10}\Omega$
材料	Material	聚碳酸酯 Polycarbonate
工作温度范围	Limiting Temperatures	-40°C...+125°C
依据UL 94的阻燃等级	Flammability Acc. To UI94	V0
可拔插次数	Mechanical Working Life-mating Cycles	≥ 500
插针	Contacts	
材料	Material	铜合金 Copper Alloy
表面处理	Surface	镀银 Hard-silver Plated
接触电阻	Contact Resistance	$\leq 0.2m\Omega$
电缆绞线依据IEC 60 228-5	To IEC 60 228 Class 5	
轴向螺栓连接	Axial Screw Terminal	
mm ²	mm ²	25-70mm ²
AWG	AWG	2-0
内六角扳手	Hexagonal Driver	SW 5
剥线长度	Stripping length	16mm
拧紧力矩	Tightening Torque	
mm ²	mm ²	25 35 50 70
Nm	Nm	8 8 9 10

电流负载能力 Current Carrying Capacity

电流负载能力所受的限制主要来自包含接插针的接插体可承受的最大温度。
测试和控制过程依据 DIN EN 60512-5。

The current carrying is limited by maximum temperature of materials for Inserts and contacts including terminals.
Measuring and testing techniques according to DIN EN 60512-5.



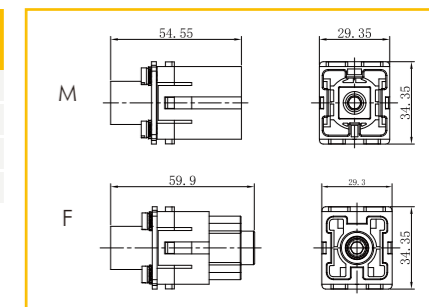
- ① 24B外壳带3个模块，导线截面：50mm²
② 24B外壳带3个模块，导线截面：70mm²

- ① 24 B hoods/housings with 3 modules, wire gauge: 50mm²
② 24 B hoods/housings with 3 modules, wire gauge: 70mm²

轴向螺栓连接 / Axial Screw Terminal



Inserts	Product Model	Order No.	Wire gauge
Male	HMPE200-001-M-1	1 007 040000025	25-40mm ²
	HMPE200-001-M-2	1 007 040000027	40-70mm ²
Female	HMPE200-001-F-1	1 007 040000026	25-40mm ²
	HMPE200-001-F-2	1 007 040000028	40-70mm ²



HM200-001 冷压型模块

Crimp Module 1000V 200A

插芯 Inserts 可与框架及其他所有模块产品组合使用 Combination with hinged frame and other modules possible.

技术参数 Technical Characteristics

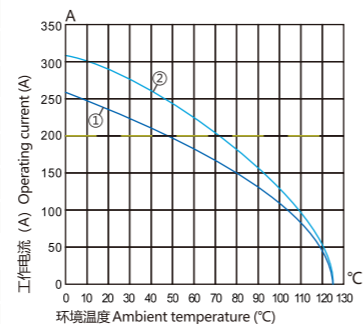
规范	Specifications	DIN EN 60 664 / DIN EN 61 984
插芯	Inserts	
接插件针数	Number Of Contacts	1
依据 EN 61 984 的电气数据	Electrical Data Acc. To EN 61 984	
额定电流	Rated Current	200A
额定电压	Rated Voltage	1000V
额定脉冲电压	Rated Impulse Voltage	8KV
污染程度	Pollution Degree	3
依据UL额定电压	Rated Voltage Acc.to UL	1000V
绝缘电阻	Insulation Resistance	$\geq 10^{10}\Omega$
材料	Material	聚碳酸酯 Polycarbonate
工作温度范围	Limiting Temperatures	-40°C...+125°C
依据UL 94的阻燃等级	Flammability Acc. To UI94	V0
可拔插次数	Mechanical Working Life-mating Cycles	≥ 500
插针	Contacts	
材料	Material	铜合金 Copper Alloy
表面处理	Surface	镀银 Hard-silver Plated
接触电阻	Contact Resistance	$\leq 0.3m\Omega$
冷压连接	Crimp Terminal	
mm ²	mm ²	25-70mm ²
剥线长度	Stripping length	22.5mm
最大电缆直径	Max. insulation diameter	18mm

电流负载能力 Current Carrying Capacity

电流负载能力所受的限制主要来自包含接插针的接插体可承受的最大温度。

测试和控制过程依据 DIN EN 60512-5。

The current carrying is limited by maximum temperature of materials for Inserts and contacts including terminals. Measuring and testing techniques according to DIN EN 60512-5.



① 24B外壳带3个模块，导线截面：50mm²

② 24B外壳带3个模块，导线截面：70mm²

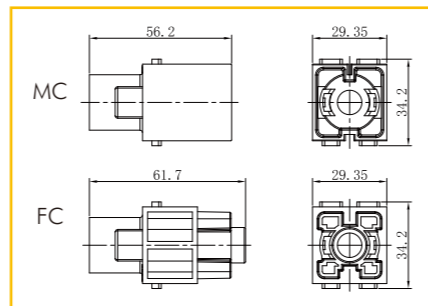
① 24 B hoods/housings with 3 modules, wire gauge: 50mm²

② 24 B hoods/housings with 3 modules, wire gauge: 70mm²

冷压连接 / Crimp Terminal



Inserts	Product Model	Order No.
Male	HM200-001-MC-1	1 007 04 0000008
Female	HM200-001-FC-1	1 007 04 0000007



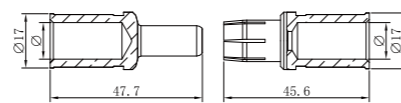
附件 Accessories

接触电阻 $\leq 0.3 m\Omega$ / Contact resistance $\leq 0.3 m\Omega$

镀银 silver plated

200A冷压针孔

Inserts	Product Model	Order No.	Inserts	Product Model	Order No.
Male	CSM200-25	1 007 06 0000053	Female	CSF200-25	1 007 07 0000053
	CSM200-35	1 007 06 0000054		CSF200-35	1 007 07 0000054
	CSM200-50	1 007 06 0000055		CSF200-50	1 007 07 0000055
	CSM200-70	1 007 06 0000056		CSF200-70	1 007 07 0000056



Wire gauge	ϕ	Stripping length
25 mm ²	7 mm	22.5 mm
35 mm ²	8.2 mm	22.5 mm
50 mm ²	10 mm	22.5 mm
70 mm ²	11.5 mm	22.5 mm

电缆绞线依据 IEC 60 228-5
For stranded wire according to IEC 60 288 Class 5

HMK-001 冷压型模块

Crimp Module 830V 100A

插芯 Inserts 可与框架及其他所有模块产品组合使用 Combination with hinged frame and other modules possible.

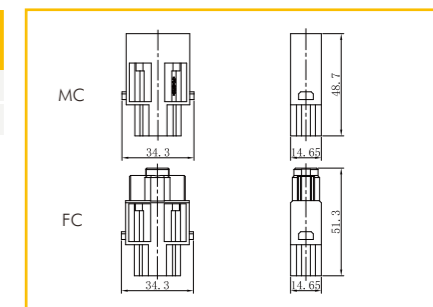
技术参数 Technical Characteristics

规范	Specifications	DIN EN 60 664 / DIN EN 61 984
插芯	Inserts	
接插件针数	Number Of Contacts	1
依据 EN 61 984 的电气数据	Electrical Data Acc. To EN 61 984	
额定电流	Rated Current	100A
额定电压	Rated Voltage	830V
额定脉冲电压	Rated Impulse Voltage	8KV
污染程度	Pollution Degree	3
绝缘电阻	Insulation Resistance	$\geq 10^{10}\Omega$
材料	Material	聚碳酸酯 Polycarbonate
工作温度范围	Limiting Temperatures	-40°C...+125°C
依据UL 94的阻燃等级	Flammability Acc. To UI94	V0
可拔插次数	Mechanical Working Life-mating Cycles	≥ 500
插针	Contacts	
材料	Material	铜合金 Copper Alloy
表面处理	Surface	镀银 Hard-silver Plated
接触电阻	Contact Resistance	$\leq 0.3m\Omega$
冷压连接	Crimp Terminal	
mm ²	mm ²	10-35mm ²
最大电缆直径	Max. insulation diameter	13mm

冷压连接 / Crimp Terminal



Inserts	Product Model	Order No.
Male	HM100-001-MC-1	1 007 04 0000017
Female	HM100-001-FC-1	1 007 04 0000018



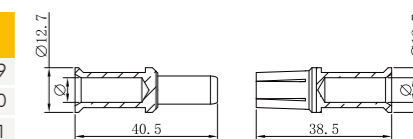
附件 Accessories

接触电阻 $\leq 0.3 m\Omega$ / Contact resistance $\leq 0.3 m\Omega$

镀银 silver plated

100A冷压针孔

Inserts	Product Model	Order No.	Inserts	Product Model	Order No.
Male	CSM100-10	1 007 06 0000049	Female	CSF100-10	1 007 07 0000049
	CSM100-16	1 007 06 0000050		CSF100-16	1 007 07 0000050
	CSM100-25	1 007 06 0000051		CSF100-25	1 007 07 0000051
	CSM100-35	1 007 06 0000052		CSF100-35	1 007 07 0000052



Wire gauge	ϕ	Stripping length
10 mm ²	4.3 mm	19 mm
16 mm ²	5.5 mm	19 mm
25 mm ²	7 mm	19 mm
35 mm ²	8.2 mm	16 mm

电缆绞线依据 IEC 60 228-5
For stranded wire according to IEC 60 288 Class 5

HMPE100 轴向螺栓模块

830V 100A+

插芯 Inserts 可与框架及其他所有模块产品组合使用 Combination with hinged frame and other modules possible.

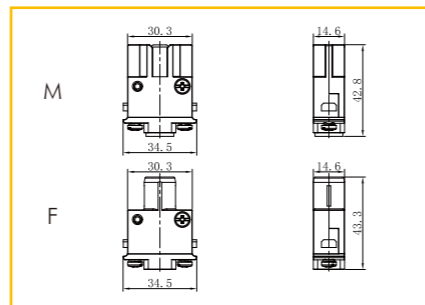
技术参数 Technical Characteristics

规范	Specifications	DIN EN 60 664 / DIN EN 61 984
插芯 Inserts		
接插件针数	Number Of Contacts	1
绝缘电阻	Insulation Resistance	$\geq 10^{10}\Omega$
材料	Material	锌压铸, 镀镍 Zinc die-cast, nickel-plated
工作温度范围	Limiting Temperatures	-40°C...+125°C
依据UL 94的阻燃等级	Flammability Acc. To UI94	V0
可拔插次数	Mechanical Working Life-mating Cycles	≥ 500
插针 Contacts		
材料	Material	铜合金 Copper Alloy
表面处理	Surface	镀银 Hard-silver Plated
接触电阻	Contact Resistance	$\leq 0.3m\Omega$
轴向螺栓连接 Axial Screw Terminal		
mm ²	mm ²	10-38mm ²
内六角扳手	Hexagonal Driver	SW 4
剥线长度	Stripping length	10 16 25 35 19 19 19 16
拧紧力矩 Tightening Torque		
mm ²	mm ²	10 16 25 35
Nm	Nm	6 6 7 8

轴向螺栓连接 / Axial Screw Terminal



Inserts	Product Model	Order No.	Wire gauge
Male	HMPE100-001-M-1	1 007 04 0000015	10-25mm ²
	HMPE100-001-M-2	1 007 04 0000015	16-35mm ²
	HMPE100-001-M-3	1 007 04 0000015	22-38mm ²
Female	HMPE100-001-F-1	1 007 04 0000016	10-25mm ²
	HMPE100-001-F-2	1 007 04 0000016	16-35mm ²
	HMPE100-001-F-3	1 007 04 0000016	22-38mm ²



HM100-002 轴向螺栓模块

Axial Screw Terminal 1000V 100A

插芯 Inserts 可与框架及其他所有模块产品组合使用 Combination with hinged frame and other modules possible.

技术参数 Technical Characteristics

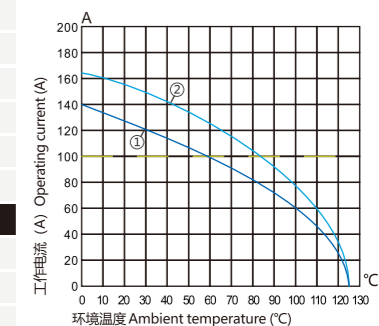
规范	Specifications	DIN EN 60 664 / DIN EN 61 984
插芯 Inserts		
接插件针数	Number Of Contacts	2
依据 EN 61 984 的电气数据	Electrical Data Acc. To EN 61 984	
额定电流	Rated Current	100A
额定电压	Rated Voltage	1000V
额定脉冲电压	Rated Impulse Voltage	8KV
污染程度	Pollution Degree	3
绝缘电阻	Insulation Resistance	$\geq 10^{10}\Omega$
材料	Material	聚碳酸酯 Polycarbonate
工作温度范围	Limiting Temperatures	-40°C...+125°C
依据UL 94的阻燃等级	Flammability Acc. To UI94	V0
可拔插次数	Mechanical Working Life-mating Cycles	≥ 500
插针 Contacts		
材料	Material	铜合金 Copper Alloy
表面处理	Surface	镀银 Hard-silver Plated
接触电阻	Contact Resistance	$\leq 0.3m\Omega$
电缆绞线依据IEC 60 228-5	To IEC 60 228 Class 5	
轴向螺栓连接 Axial Screw Terminal		
mm ²	mm ²	10-35mm ²
AWG	AWG	6-2
内六角扳手	Hexagonal Driver	SW 4
剥线长度	Stripping length	13mm
拧紧力矩 Tightening Torque		
mm ²	mm ²	10 16 25 35
Nm	Nm	6 6 7 8

电流负载能力 Current Carrying Capacity

电流负载能力所受的限制主要来自包含接插针的接插体可承受的最大温度。

测试和控制过程依据 DIN EN 60512-5。

The current carrying is limited by maximum temperature of materials for Inserts and contacts including terminals. Measuring and testing techniques according to DIN EN 60512-5.



① 24B外壳带3个模块, 导线截面: 25mm²

② 24B外壳带3个模块, 导线截面: 35mm²

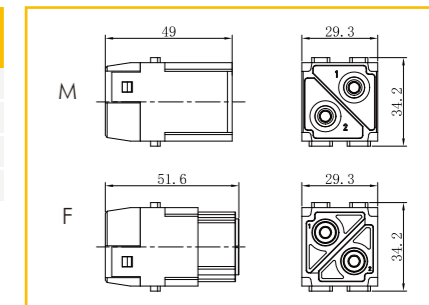
① 24 B hoods/housings with 3 modules, wire gauge: 25mm²

② 24 B hoods/housings with 3 modules, wire gauge: 35mm²

轴向螺栓连接 / Axial Screw Terminal



Inserts	Product Model	Order No.	Wire gauge
Male	HM100-002-M-1	1 007 04 0000019	10-25mm ²
	HM100-002-M-2	1 007 04 0000021	16-35mm ²
Female	HM100-002-F-1	1 007 04 0000020	10-25mm ²
	HM100-002-F-2	1 007 04 0000022	16-35mm ²



HMK-002 冷压型模块

Crimp Module 1000V 100A



插芯 Inserts 可与框架及其他所有模块产品组合使用 Combination with hinged frame and other modules possible.

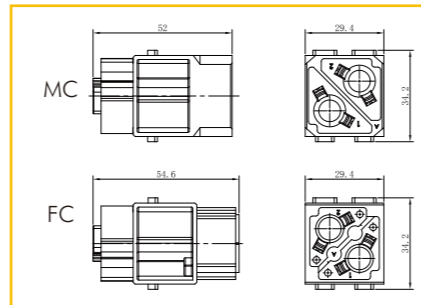
技术参数 Technical Characteristics

规范	Specifications	DIN EN 60 664 / DIN EN 61 984
插芯	Inserts	
接插件针数	Number Of Contacts	2
依据 EN 61 984 的电气数据	Electrical Data Acc. To EN 61 984	
额定电流	Rated Current	100A
额定电压	Rated Voltage	1000V
额定脉冲电压	Rated Impulse Voltage	8KV
污染程度	Pollution Degree	3
绝缘电阻	Insulation Resistance	≥10 ¹⁰ Ω
材料	Material	聚碳酸酯 Polycarbonate
工作温度范围	Limiting Temperatures	-40℃...+125℃
依据UL 94的阻燃等级	Flammability Acc. To UI94	V0
可拔插次数	Mechanical Working Life-mating Cycles	≥500
插针	Contacts	
材料	Material	铜合金 Copper Alloy
表面处理	Surface	镀银 Hard-silver Plated
接触电阻	Contact Resistance	≤0.3mΩ
冷压连接	Crimp Terminal	
mm ²	mm ²	10-35mm ²
最大电缆直径	Max. insulation diameter	14mm

冷压连接 / Crimp Terminal



Inserts	Product Model	Order No.
Male	HM100-002-MC-1	1 007 04 0000023
Female	HM100-002-FC-1	1 007 04 0000024



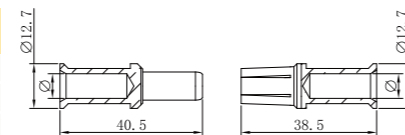
附件 Accessories

接触电阻 ≤ 0.3 mΩ / Contact resistance ≤ 0.3 mΩ

镀银 silver plated

100A冷压针孔

Inserts	Product Model	Order No.	Inserts	Product Model	Order No.
Male	CSM100-10	1 007 06 0000049	Female	CSF100-10	1 007 07 0000049
	CSM100-16	1 007 06 0000050		CSF100-16	1 007 07 0000050
	CSM100-25	1 007 06 0000051		CSF100-25	1 007 07 0000051
	CSM100-35	1 007 06 0000052		CSF100-35	1 007 07 0000052



Wire gauge	φ	Stripping length
10 mm ²	4.3 mm	19 mm
16 mm ²	5.5 mm	19 mm
25 mm ²	7 mm	19 mm
35 mm ²	8.2 mm	16 mm

电缆绞线依据 IEC 60 228-5
For stranded wire according to IEC 60 288 Class 5



HM070-002 轴向螺栓模块

Axial Screw Terminal 1000V 70A

插芯 Inserts 可与框架及其他所有模块产品组合使用 Combination with hinged frame and other modules possible.

技术参数 Technical Characteristics

规范	Specifications	DIN EN 60 664 / DIN EN 61 984
插芯	Inserts	
接插件针数	Number Of Contacts	2
依据 EN 61 984 的电气数据	Electrical Data Acc. To EN 61 984	
额定电流	Rated Current	70A
额定电压	Rated Voltage	1000V
额定脉冲电压	Rated Impulse Voltage	8KV
污染程度	Pollution Degree	3
绝缘电阻	Insulation Resistance	≥10 ¹⁰ Ω
材料	Material	聚碳酸酯 Polycarbonate
工作温度范围	Limiting Temperatures	-40℃...+125℃
依据UL 94的阻燃等级	Flammability Acc. To UI94	V0
可拔插次数	Mechanical Working Life-mating Cycles	≥500
插针	Contacts	
材料	Material	铜合金 Copper Alloy
表面处理	Surface	镀银 Hard-silver Plated
接触电阻	Contact Resistance	≤0.5mΩ
电缆绞线依据IEC 60 228-5	To IEC 60 228 Class 5	
轴向螺栓连接	Axial Screw Terminal	
mm ²	mm ²	6-22mm ²
AWG	AWG	8-4
内六角扳手	Hexagonal Driver	SW 2.5
剥线长度	Stripping length	
mm ²	mm ²	6 10 16 22
mm	mm	11 ⁺ 11 ⁺ 11 ⁺ 12.5 ⁺
拧紧力矩	Tightening Torque	
mm ²	mm ²	6 10 16 22
Nm	Nm	2 3 4 5

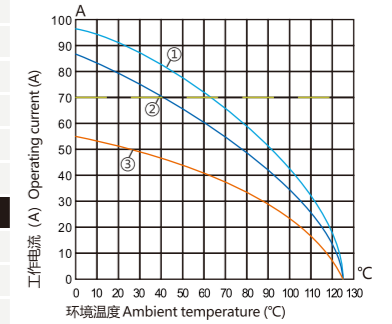
电流负载能力 Current Carrying Capacity

电流负载能力所受的限制主要来自包含接插针的接插体可承受的最大温度。

测试和控制过程依据 DIN EN 60512-5。

The current carrying is limited by maximum temperature of materials for Inserts and contacts including terminals.

Measuring and testing techniques according to DIN EN 60512-5.



① 24B外壳带6个模块，导线截面：22mm²

② 24B外壳带6个模块，导线截面：16mm²

③ 24B外壳带6个模块，导线截面：6mm²

① 24 B hoods/housings with 6 modules, wire gauge: 22mm²

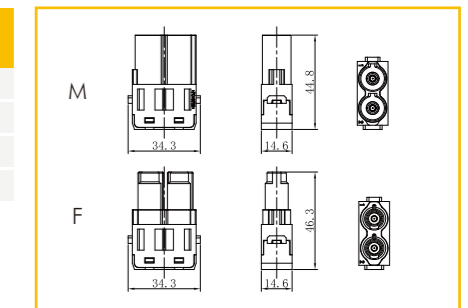
② 24 B hoods/housings with 6 modules, wire gauge: 16mm²

③ 24 B hoods/housings with 6 modules, wire gauge: 6mm²

轴向螺栓连接 / Axial Screw Terminal



Inserts	Product Model	Order No.	Wire gauge
Male	HM070-002-M-1	1 007 04 0000029	6-16mm ²
	HM070-002-M-2	1 007 04 0000031	14-22mm ²
Female	HM070-002-F-1	1 007 04 0000030	6-16mm ²
	HM070-002-F-2	1 007 04 0000032	14-22mm ²



HM070-002 冷压型模块

Crimp Module 1000V 70A

插芯 Inserts 可与框架及其他所有模块产品组合使用 Combination with hinged frame and other modules possible.

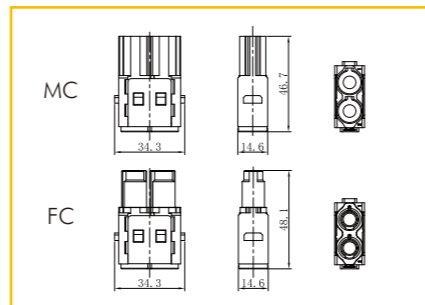
技术参数 Technical Characteristics

规范	Specifications	DIN EN 60 664 / DIN EN 61 984
插芯	Inserts	
接插件针数	Number Of Contacts	2
依据 EN 61 984 的电气数据	Electrical Data Acc. To EN 61 984	
额定电流	Rated Current	70A
额定电压	Rated Voltage	1000V
额定脉冲电压	Rated Impulse Voltage	8KV
污染程度	Pollution Degree	3
绝缘电阻	Insulation Resistance	$\geq 10^{10}\Omega$
材料	Material	聚碳酸酯 Polycarbonate
工作温度范围	Limiting Temperatures	-40℃...+125℃
依据 UL 94 的阻燃等级	Flammability Acc. To UI94	V0
可拔插次数	Mechanical Working Life-mating Cycles	≥ 500
插针	Contacts	
材料	Material	铜合金 Copper Alloy
表面处理	Surface	镀银 Hard-silver Plated
接触电阻	Contact Resistance	$\leq 0.5m\Omega$
冷压连接	Crimp Terminal	
mm ²	mm ²	10-25mm ²
剥线长度	Stripping length	15.5mm
最大电缆直径	Max. insulation diameter	11mm

冷压连接 / Crimp Terminal



Inserts	Product Model	Order No.
Male	HM070-002-MC	1 007 04 0000033
Female	HM070-002-FC	1 007 04 0000034



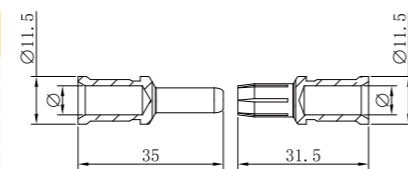
附件 Accessories

接触电阻 $\leq 0.5 m\Omega$ / Contact resistance $\leq 0.5 m\Omega$

镀银 silver plated

70A冷压针孔

Inserts	Product Model	Order No.	Inserts	Product Model	Order No.
Male	CSM70-6.0	1 007 06 0000045	Female	CSF70-6.0	1 007 07 0000045
	CSM70-10	1 007 06 0000046		CSF70-10	1 007 07 0000046
	CSM70-16	1 007 06 0000047		CSF70-16	1 007 07 0000047
	CSM70-25	1 007 06 0000048		CSF70-25	1 007 07 0000048



Wire gauge	Φ	Stripping length
10 mm ²	4.3 mm	15.5 mm
16 mm ²	5.5 mm	15.5 mm
25 mm ²	7 mm	15.5 mm

电缆绞线依据 IEC 60 228-5
For stranded wire according to IEC 60 288 Class 5

HM040-002 轴向螺栓模块

Axial Screw Terminal 1000V 40A

插芯 Inserts 可与框架及其他所有模块产品组合使用 Combination with hinged frame and other modules possible.

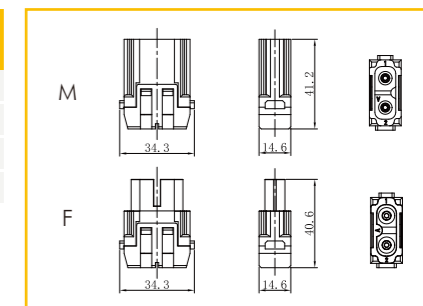
技术参数 Technical Characteristics

规范	Specifications	DIN EN 60 664 / DIN EN 61 984
插芯	Inserts	
接插件针数	Number Of Contacts	2
依据 EN 61 984 的电气数据	Electrical Data Acc. To EN 61 984	
额定电流	Rated Current	40A
额定电压	Rated Voltage	1000V
额定脉冲电压	Rated Impulse Voltage	8KV
污染程度	Pollution Degree	3
绝缘电阻	Insulation Resistance	$\geq 10^{10}\Omega$
材料	Material	聚碳酸酯 Polycarbonate
工作温度范围	Limiting Temperatures	-40℃...+125℃
依据 UL 94 的阻燃等级	Flammability Acc. To UI94	V0
可拔插次数	Mechanical Working Life-mating Cycles	≥ 500
插针	Contacts	
材料	Material	铜合金 Copper Alloy
表面处理	Surface	镀银 Hard-silver Plated
接触电阻	Contact Resistance	$\leq 1m\Omega$
电缆绞线依据 IEC 60 228-5	To IEC 60 228 Class 5	
轴向螺栓连接	Axial Screw Terminal	
mm ²	mm ²	2.5-10mm ²
AWG	AWG	14-8
内六角扳手	Hexagonal Driver	SW 2
剥线长度	Stripping length	
mm ²	mm ²	2.5 4 6 10
mm	mm	5 ⁺ 5 ⁺ 8 ⁺ 11 ⁺
拧紧力矩	Tightening Torque	
mm ²	mm ²	2.5 4 6 10
Nm	Nm	1.5 1.5 2 2

轴向螺栓连接 / Axial Screw Terminal



Inserts	Product Model	Order No.	Wire gauge
Male	HM040-002-M-1	1 007 04 0000035	2.5-8mm ²
	HM040-002-M-2	1 007 04 0000037	6-10mm ²
Female	HM040-002-F-1	1 007 04 0000036	2.5-8mm ²
	HM040-002-F-2	1 007 04 0000038	6-10mm ²

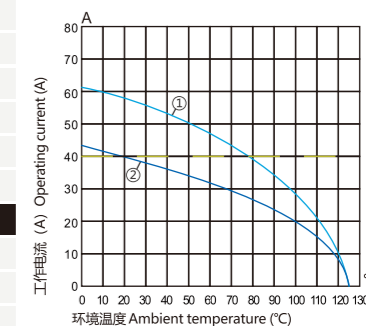


电流负载能力 Current Carrying Capacity

电流负载能力所受的限制主要来自包含接插针的接插体可承受的最大温度。

测试和控制过程依据 DIN EN 60512-5。

The current carrying is limited by maximum temperature of materials for Inserts and contacts including terminals. Measuring and testing techniques according to DIN EN 60512-5.



① 24B外壳带6个模块，导线截面：10mm²

② 24B外壳带6个模块，导线截面：6mm²

① 24 B hoods/housings with 6 modules, wire gauge: 10mm²

② 24 B hoods/housings with 6 modules, wire gauge: 6mm²

HM040-002 冷压型模块

Crimp Module 1000V 40A

插芯 Inserts 可与框架及其他所有模块产品组合使用 Combination with hinged frame and other modules possible.

技术参数 Technical Characteristics

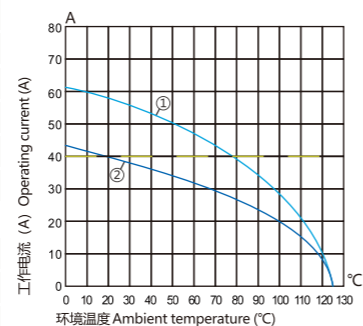
规范	Specifications	DIN EN 60 664 / DIN EN 61 984
插芯	Inserts	
接插件针数	Number Of Contacts	2
依据 EN 61 984 的电气数据	Electrical Data Acc. To EN 61 984	
额定电流	Rated Current	40A
额定电压	Rated Voltage	1000V
额定脉冲电压	Rated Impulse Voltage	8KV
污染程度	Pollution Degree	3
绝缘电阻	Insulation Resistance	$\geq 10^{10}\Omega$
材料	Material	聚碳酸酯 Polycarbonate
工作温度范围	Limiting Temperatures	-40°C...+125°C
依据 UL 94 的阻燃等级	Flammability Acc. To UI94	V0
可拔插次数	Mechanical Working Life-mating Cycles	≥ 500
插针	Contacts	
材料	Material	铜合金 Copper Alloy
表面处理	Surface	镀银 Hard-silver Plated
接触电阻	Contact Resistance	$\leq 1\text{m}\Omega$
冷压连接	Crimp Terminal	
mm ²	mm ²	1.5-10mm ²
AWG	AWG	16-8

电流负载能力 Current Carrying Capacity

电流负载能力所受的限制主要来自包含接插针的接插体可承受的最大温度。

测试和控制过程依据 DIN EN 60512-5。

The current carrying is limited by maximum temperature of materials for Inserts and contacts including terminals. Measuring and testing techniques according to DIN EN 60512-5.



① 24B外壳带6个模块，导线截面：10mm²

② 24B外壳带6个模块，导线截面：6mm²

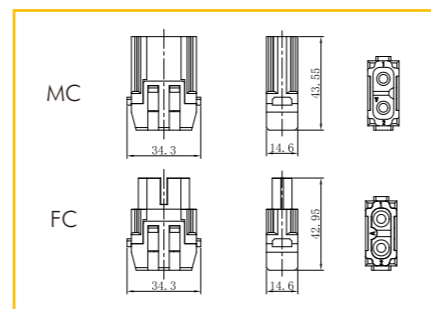
① 24 B hoods/housings with 6 modules, wire gauge: 10mm²

② 24 B hoods/housings with 6 modules, wire gauge: 6mm²

冷压连接 / Crimp Terminal



Inserts	Product Model	Order No.
Male	HM040-002-MC	1 007 04 0000039
Female	HM040-002-FC	1 007 04 0000040



附件 Accessories

接触电阻 $\leq 1\text{m}\Omega$ / Contact resistance $\leq 1\text{m}\Omega$

镀银 silver plated

40A冷压针孔

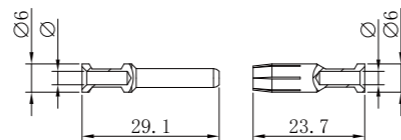


Inserts	Product Model	Order No.	Inserts	Product Model	Order No.
Male	CSM40-1.5	1 007 06 0000035	Female	CSF40-1.5	1 007 07 0000035
	CSM40-2.5	1 007 06 0000036		CSF40-2.5	1 007 07 0000036
	CSM40-4.0	1 007 06 0000037		CSF40-4.0	1 007 07 0000037
	CSM40-6.0	1 007 06 0000038		CSF40-6.0	1 007 07 0000038
	CSM40-10.0	1 007 06 0000039		CSF40-10.0	1 007 07 0000039

镀金 gold plated



Inserts	Product Model	Order No.	Inserts	Product Model	Order No.
Male	CGM40-1.5	1 007 06 0000040	Female	CGF40-1.5	1 007 07 0000040
	CGM40-2.5	1 007 06 0000041		CGF40-2.5	1 007 07 0000041
	CGM40-4.0	1 007 06 0000042		CGF40-4.0	1 007 07 0000042
	CGM40-6.0	1 007 06 0000043		CGF40-6.0	1 007 07 0000043
	CGM40-10	1 007 06 0000044		CGF40-10	1 007 07 0000044



Wire gauge	ϕ	Stripping length
1.5 mm ² AWG 16	1.75 mm	9 mm
2.5 mm ² AWG 14	2.25 mm	9 mm
4 mm ² AWG 12	2.85 mm	9.6 mm
6 mm ² AWG 10	3.5 mm	9.6 mm
10 mm ² AWG 8	4.3 mm	15 mm

剥线长度A=15 mm 用于电缆 $\geq 5\text{mm}$
剥线长度A=18 mm 用于电缆 $\geq 6.4\text{mm}$
Stripping length A=15 mm for cables $\geq 5\text{mm}$
Stripping length A=18 mm for cables $\geq 6.4\text{mm}$

HM040-003 轴向螺栓模块

Axial Screw Terminal 690V 40A

插芯 Inserts 可与框架及其他所有模块产品组合使用 Combination with hinged frame and other modules possible.

技术参数 Technical Characteristics

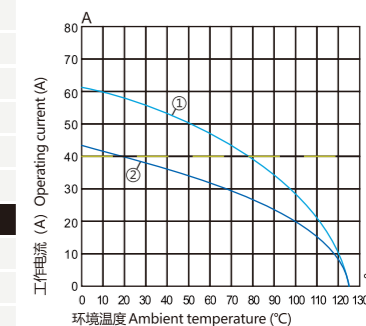
规范	Specifications	DIN EN 60 664 / DIN EN 61 984
插芯	Inserts	
接插件针数	Number Of Contacts	3
依据 EN 61 984 的电气数据	Electrical Data Acc. To EN 61 984	
额定电流	Rated Current	40A
额定电压	Rated Voltage	690V
额定脉冲电压	Rated Impulse Voltage	8KV
污染程度	Pollution Degree	3
绝缘电阻	Insulation Resistance	$\geq 10^{10}\Omega$
材料	Material	聚碳酸酯 Polycarbonate
工作温度范围	Limiting Temperatures	-40°C...+125°C
依据 UL 94 的阻燃等级	Flammability Acc. To UI94	V0
可拔插次数	Mechanical Working Life-mating Cycles	≥ 500
插针	Contacts	
材料	Material	铜合金 Copper Alloy
表面处理	Surface	镀银 Hard-silver Plated
接触电阻	Contact Resistance	$\leq 1\text{m}\Omega$
电缆绞线依据 IEC 60 228-5	To IEC 60 228 Class 5	
轴向螺栓连接	Axial Screw Terminal	
mm ²	mm ²	2.5-10mm ²
AWG	AWG	14-8
内六角扳手	Hexagonal Driver	SW 2
剥线长度	Stripping length	
mm ²	mm ²	2.5 4 6 10
mm	mm	5 ⁺ 5 ⁺ 8 ⁺ 11 ⁺
拧紧力矩	Tightening Torque	
mm ²	mm ²	2.5 4 6 10
Nm	Nm	1.5 1.5 2 2

电流负载能力 Current Carrying Capacity

电流负载能力所受的限制主要来自包含接插针的接插体可承受的最大温度。

测试和控制过程依据 DIN EN 60512-5。

The current carrying is limited by maximum temperature of materials for Inserts and contacts including terminals. Measuring and testing techniques according to DIN EN 60512-5.



① 24B外壳带6个模块，导线截面：6mm²

② 24B外壳带6个模块，导线截面：4mm²

① 24 B hoods/housings with 6 modules, wire gauge: 6mm²

② 24 B hoods/housings with 6 modules, wire gauge: 4mm²

轴向螺栓连接 / Axial Screw Terminal



Inserts	Product Model	Order No.	Wire gauge
Male	HM040-003-M-1	1 007 04 0000041	2.5-8mm ²
	HM040-003-M-2	1 007 04 0000043	6-10mm ²
Female	HM040-003-F-1	1 007 04 0000042	2.5-8mm ²
	HM040-003-F-2	1 007 04 0000044	6-10mm ²



HM040-003 冷压型模块

Crimp Module 690V 40A

插芯 Inserts 可与框架及其他所有模块产品组合使用 Combination with hinged frame and other modules possible.

技术参数 Technical Characteristics

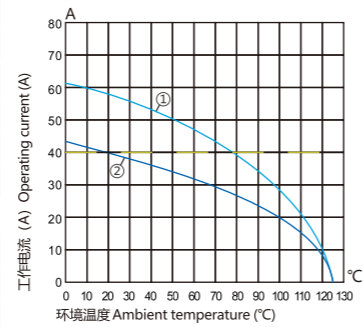
规范	Specifications	DIN EN 60 664 / DIN EN 61 984
插芯	Inserts	
接插件针数	Number Of Contacts	3
依据 EN 61 984 的电气数据	Electrical Data Acc. To EN 61 984	
额定电流	Rated Current	40A
额定电压	Rated Voltage	690V
额定脉冲电压	Rated Impulse Voltage	8KV
污染程度	Pollution Degree	3
绝缘电阻	Insulation Resistance	$\geq 10^{10}\Omega$
材料	Material	聚碳酸酯 Polycarbonate
工作温度范围	Limiting Temperatures	-40°C...+125°C
依据 UL 94 的阻燃等级	Flammability Acc. To UI94	V0
可拔插次数	Mechanical Working Life-mating Cycles	≥ 500
插针	Contacts	
材料	Material	铜合金 Copper Alloy
表面处理	Surface	镀银 Hard-silver Plated
接触电阻	Contact Resistance	$\leq 1m\Omega$
冷压连接	Crimp Terminal	
mm ²	mm ²	1.5-10mm ²
AWG	AWG	16-8

电流负载能力 Current Carrying Capacity

电流负载能力所受的限制主要来自包含接插针的接插体可承受的最大温度。

测试和控制过程依据 DIN EN 60512-5。

The current carrying is limited by maximum temperature of materials for Inserts and contacts including terminals. Measuring and testing techniques according to DIN EN 60512-5.



① 24B外壳带6个模块，导线截面：6mm²

② 24B外壳带6个模块，导线截面：4mm²

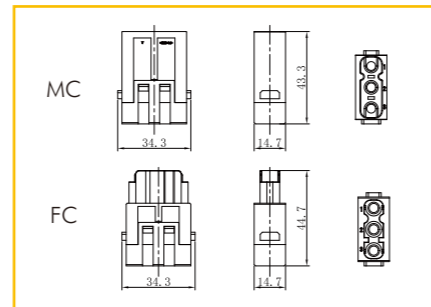
① 24 B hoods/housings with 6 modules, wire gauge: 6mm²

② 24 B hoods/housings with 6 modules, wire gauge: 4mm²

冷压连接 / Crimp Terminal



Inserts	Product Model	Order No.
Male	HM040-003-MC	1 007 04 0000045
Female	HM040-003-FC	1 007 04 0000046



附件 Accessories

接触电阻 $\leq 1m\Omega$ / Contact resistance $\leq 1m\Omega$

镀银 silver plated

40A冷压针孔

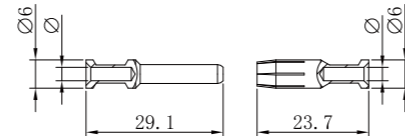


Inserts	Product Model	Order No.	Inserts	Product Model	Order No.
Male	CSM40-1.5	1 007 06 0000035	Female	CSF40-1.5	1 007 07 0000035
	CSM40-2.5	1 007 06 0000036		CSF40-2.5	1 007 07 0000036
	CSM40-4.0	1 007 06 0000037		CSF40-4.0	1 007 07 0000037
	CSM40-6.0	1 007 06 0000038		CSF40-6.0	1 007 07 0000038
	CSM40-10.0	1 007 06 0000039		CSF40-10.0	1 007 07 0000039

镀金 gold plated



Inserts	Product Model	Order No.	Inserts	Product Model	Order No.
Male	CGM40-1.5	1 007 06 0000040	Female	CGF40-1.5	1 007 07 0000040
	CGM40-2.5	1 007 06 0000041		CGF40-2.5	1 007 07 0000041
	CGM40-4.0	1 007 06 0000042		CGF40-4.0	1 007 07 0000042
	CGM40-6.0	1 007 06 0000043		CGF40-6.0	1 007 07 0000043
	CGM40-10	1 007 06 0000044		CGF40-10	1 007 07 0000044



Wire gauge	ϕ	Stripping length
1.5 mm ² AWG 16	1.75 mm	9 mm
2.5 mm ² AWG 14	2.25 mm	9 mm
4 mm ² AWG 12	2.85 mm	9.6 mm
6 mm ² AWG 10	3.5 mm	9.6 mm
10 mm ² AWG 8	4.3 mm	15 mm

剥线长度A=15 mm 用于电缆 ≥ 5 mm
剥线长度A=18 mm 用于电缆 ≥ 6.4 mm
Stripping length A=15 mm for cables ≥ 5 mm
Stripping length A=18 mm for cables ≥ 6.4 mm

HM040-003/4 冷压型模块

Crimp Module 830V/830V 40A/10A

插芯 Inserts 可与框架及其他所有模块产品组合使用 Combination with hinged frame and other modules possible.

技术参数 Technical Characteristics

规范	Specifications	DIN EN 60 664 / DIN EN 61 984
插芯	Inserts	
接插件针数	Number Of Contacts	3/4
依据 EN 61 984 的电气数据	Electrical Data Acc. To EN 61 984	
电力区	Power Contacts	
额定电流	Rated Current	40A
额定电压	Rated Voltage	830V
额定脉冲电压	Rated Impulse Voltage	8KV
污染程度	Pollution Degree	3
信号区	Signal Contacts	
额定电流	Rated Current	10A
额定电压	Rated Voltage	830V
额定脉冲电压	Rated Impulse Voltage	8KV
污染程度	Pollution Degree	3
绝缘电阻	Insulation Resistance	$\geq 10^{10}\Omega$
材料	Material	聚碳酸酯 Polycarbonate
工作温度范围	Limiting Temperatures	-40°C...+125°C
依据 UL 94 的阻燃等级	Flammability Acc. To UI94	V0
可拔插次数	Mechanical Working Life-mating Cycles	≥ 500

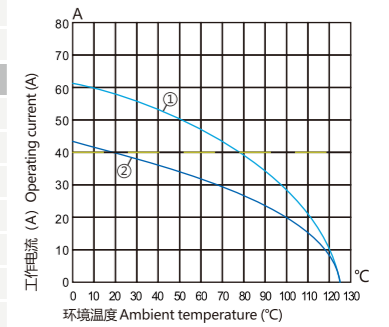
插针	Contacts	
材料	Material	铜合金 Copper Alloy
表面处理	Surface	镀银 Hard-silver Plated
接触电阻	Contact Resistance	
电力区	Power Contacts	$\leq 1m\Omega$
信号区	Signal Contacts	$\leq 3m\Omega$
冷压连接	Crimp Terminal	
mm ²	mm ²	
电力区	Power Contacts	1.5-6mm ²
信号区	Signal Contacts	0.14-2.5mm ²
AWG	AWG	
电力区	Power Contacts	16-10
信号区	Signal Contacts	26-14
最大电缆直径	Max. insulation diameter	
电力区	Power Contacts	5mm

电流负载能力 Current Carrying Capacity

电流负载能力所受的限制主要来自包含接插针的接插体可承受的最大温度。

测试和控制过程依据 DIN EN 60512-5。

The current carrying is limited by maximum temperature of materials for Inserts and contacts including terminals. Measuring and testing techniques according to DIN EN 60512-5.



① 24B外壳带6个模块，导线截面：6mm²

② 24B外壳带6个模块，导线截面：4mm²

① 24 B hoods/housings with 6 modules, wire gauge: 6mm²

② 24 B hoods/housings with 6 modules, wire gauge: 4mm²

HM040-003/4 冷压型模块

Crimp Module 830V/830V 40A/10A

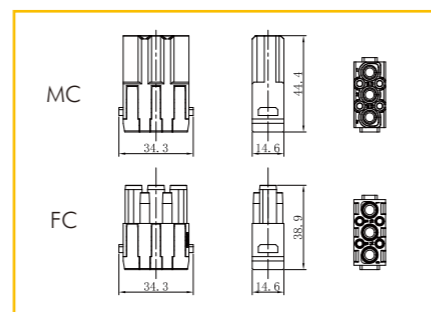
BEISIT®

插芯 Inserts 可与框架及其他所有模块产品组合使用 Combination with hinged frame and other modules possible.

冷压连接 / Crimp Terminal



Inserts	Product Model	Order No.
Male	HM040-003/4-MC-1	1 007 04000047
Female	HM040-003/4-FC-1	1 007 04000048



附件 Accessories

接触电阻 ≤ 1 mΩ / Contact resistance ≤ 1 mΩ

镀银 silver plated

40A冷压针孔

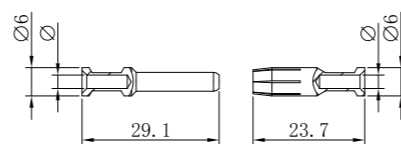


Inserts	Product Model	Order No.	Inserts	Product Model	Order No.
Male	CSM40-1.5	1 007 06 0000035	Female	CSF40-1.5	1 007 07 0000035
	CSM40-2.5	1 007 06 0000036		CSF40-2.5	1 007 07 0000036
	CSM40-4.0	1 007 06 0000037		CSF40-4.0	1 007 07 0000037
	CSM40-6.0	1 007 06 0000038		CSF40-6.0	1 007 07 0000038
	CSM40-10.0	1 007 06 0000039		CSF40-10.0	1 007 07 0000039

镀金 gold plated



Inserts	Product Model	Order No.	Inserts	Product Model	Order No.
Male	CGM40-1.5	1 007 06 0000040	Female	CGF40-1.5	1 007 07 0000040
	CGM40-2.5	1 007 06 0000041		CGF40-2.5	1 007 07 0000041
	CGM40-4.0	1 007 06 0000042		CGF40-4.0	1 007 07 0000042
	CGM40-6.0	1 007 06 0000043		CGF40-6.0	1 007 07 0000043
	CGM40-10	1 007 06 0000044		CGF40-10	1 007 07 0000044



Wire gauge		φ	Stripping length
1.5 mm²	AWG 16	1.75 mm	9 mm
2.5 mm²	AWG 14	2.25 mm	9 mm
4 mm²	AWG 12	2.85 mm	9.6 mm
6 mm²	AWG 10	3.5 mm	9.6 mm
10 mm²	AWG 8	4.3 mm	15 mm

剥线长度A=15 mm 用于电缆≥5 mm
剥线长度A=18 mm 用于电缆≥6.4 mm
Stripping length A=15 mm for cables≥5 mm
Stripping length A=18 mm for cables≥6.4 mm

接触电阻 ≤ 3 mΩ / Contact resistance ≤ 3 mΩ

镀银 silver plated

10A冷压针孔

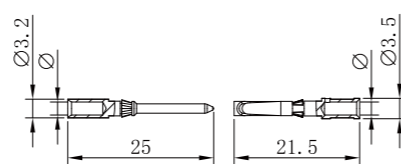


Inserts	Product Model	Order No.	Inserts	Product Model	Order No.
Male	DSM-0.37	1 007 06 0000009	Female	DSF-0.37	1 007 07 0000009
	DSM-0.5	1 007 06 0000010		DSF-0.5	1 007 07 0000010
	DSM-0.75	1 007 06 0000011		DSF-0.75	1 007 07 0000011
	DSM-1.0	1 007 06 0000012		DSF-1.0	1 007 07 0000012
	DSM-1.5	1 007 06 0000013		DSF-1.5	1 007 07 0000013
DSM-2.5	1 007 06 0000014	DSF-2.5	1 007 07 0000014		

镀金 gold plated



Inserts	Product Model	Order No.	Inserts	Product Model	Order No.
Male	DGM-0.37	1 007 06 0000015	Female	DGF-0.37	1 007 07 0000015
	DGM-0.5	1 007 06 0000016		DGF-0.5	1 007 07 0000016
	DGM-0.75	1 007 06 0000017		DGF-0.75	1 007 07 0000017
	DGM-1.0	1 007 06 0000018		DGF-1.0	1 007 07 0000018
	DGM-1.5	1 007 06 0000019		DGF-1.5	1 007 07 0000019
DGM-2.5	1 007 06 0000020	DGF-2.5	1 007 07 0000020		



Wire gauge		φ	Stripping length
0.09-0.25 mm²	AWG 28-24	0.65 mm	5 mm
0.14-0.37 mm²	AWG 26-22	0.9 mm	8 mm
0.5 mm²	AWG 20	1.1 mm	8 mm
0.75 mm²	AWG 18	1.3 mm	8 mm
1 mm²	AWG 18	1.45 mm	8 mm
1.5 mm²	AWG 16	1.75 mm	8 mm
2.5 mm²	AWG 14	2.25 mm	6 mm

HM040-004 冷压型模块

Crimp Module 830V 40A

BEISIT®

插芯 Inserts 可与框架及其他所有模块产品组合使用 Combination with hinged frame and other modules possible.

技术参数 Technical Characteristics

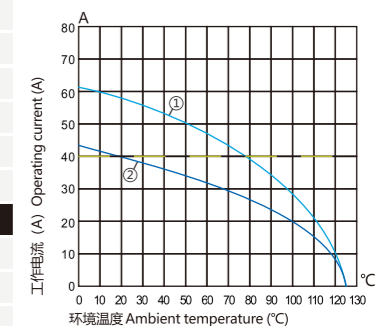
规范	Specifications	DIN EN 60 664 / DIN EN 61 984
插芯	Inserts	
接插件针数	Number Of Contacts	4
依据 EN 61 984的电气数据	Electrical Data Acc. To EN 61 984	
额定电流	Rated Current	40A
额定电压	Rated Voltage	830V
额定脉冲电压	Rated Impulse Voltage	8KV
污染程度	Pollution Degree	3
绝缘电阻	Insulation Resistance	≥10 ¹⁰ Ω
材料	Material	聚碳酸酯 Polycarbonate
工作温度范围	Limiting Temperatures	-40℃...+125℃
依据UL 94的阻燃等级	Flammability Acc. To UI94	V0
可拔插次数	Mechanical Working Life-mating Cycles	≥500
插针	Contacts	
材料	Material	铜合金 Copper Alloy
表面处理	Surface	镀银 Hard-silver Plated
接触电阻	Contact Resistance	≤1 mΩ
冷压连接	Crimp Terminal	
mm²	mm²	1.5-6mm²
AWG	AWG	16-10

电流负载能力
Current Carrying Capacity

电流负载能力所受的限制主要来自包含接插针的接插体可承受的最大温度。

测试和控制过程依据 DIN EN 60512-5。

The current carrying is limited by maximum temperature of materials for Inserts and contacts including terminals. Measuring and testing techniques according to DIN EN 60512-5.



①24B外壳带6个模块, 导线截面: 6mm²

②24B外壳带6个模块, 导线截面: 4mm²

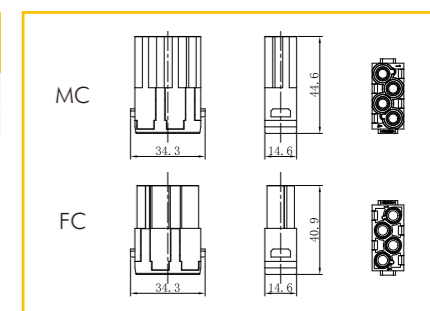
① 24 B hoods/housings with 6 modules, wire gauge: 6mm²

② 24 B hoods/housings with 6 modules, wire gauge: 4mm²

冷压连接 / Crimp Terminal



Inserts	Product Model	Order No.
Male	HM040-004-MC-1	1 007 04 0000049
Female	HM040-004-FC-1	1 007 04 0000050



附件 Accessories

接触电阻 ≤ 1 mΩ / Contact resistance ≤ 1 mΩ

镀银 silver plated

40A冷压针孔

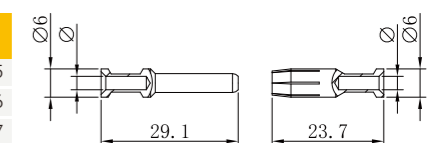


Inserts	Product Model	Order No.	Inserts	Product Model	Order No.
Male	CSM40-1.5	1 007 06 0000035	Female	CSF40-1.5	1 007 07 0000035
	CSM40-2.5	1 007 06 0000036		CSF40-2.5	1 007 07 0000036
	CSM40-4.0	1 007 06 0000037		CSF40-4.0	1 007 07 0000037
	CSM40-6.0	1 007 06 0000038		CSF40-6.0	1 007 07 0000038
	CSM40-10.0	1 007 06 0000039		CSF40-10.0	1 007 07 0000039

镀金 gold plated



Inserts	Product Model	Order No.	Inserts	Product Model	Order No.
Male	CGM40-1.5	1 007 06 0000040	Female	CGF40-1.5	1 007 07 0000040
	CGM40-2.5	1 007 06 0000041		CGF40-2.5	1 007 07 0000041
	CGM40-4.0	1 007 06 0000042		CGF40-4.0	1 007 07 0000042
	CGM40-6.0	1 007 06 0000043		CGF40-6.0	1 007 07 0000043
	CGM40-10	1 007 06 0000044		CGF40-10	1 007 07 0000044



Wire gauge		φ	Stripping length
1.5 mm²	AWG 16	1.75 mm	9 mm
2.5 mm²	AWG 14	2.25 mm	9 mm
4 mm²	AWG 12	2.85 mm	9.6 mm
6 mm²	AWG 10	3.5 mm	9.6 mm
10 mm²	AWG 8	4.3 mm	15 mm

剥线长度A=15 mm 用于电缆≥5 mm
剥线长度A=18 mm 用于电缆≥6.4 mm
Stripping length A=15 mm for cables≥5 mm
Stripping length A=18 mm for cables≥6.4 mm

HME-006 冷压型模块

Crimp Module 500V 16A

插芯 Inserts 可与框架及其他所有模块产品组合使用 Combination with hinged frame and other modules possible.

技术参数 Technical Characteristics

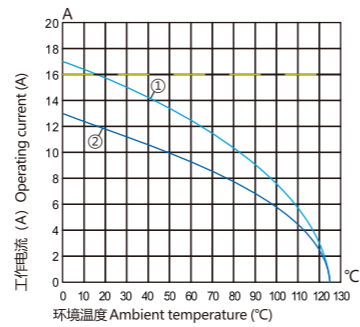
规范	Specifications	DIN EN 60 664 / DIN EN 61 984
插芯	Inserts	
接插件针数	Number Of Contacts	6
依据 EN 61 984 的电气数据	Electrical Data Acc. To EN 61 984	
额定电流	Rated Current	16A
额定电压	Rated Voltage	500V
额定脉冲电压	Rated Impulse Voltage	6KV
污染程度	Pollution Degree	3
绝缘电阻	Insulation Resistance	$\geq 10^{10}\Omega$
材料	Material	聚碳酸酯 Polycarbonate
工作温度范围	Limiting Temperatures	-40°C...+125°C
依据 UL 94 的阻燃等级	Flammability Acc. To UL94	V0
可拔插次数	Mechanical Working Life-mating Cycles	≥ 500
插针	Contacts	
材料	Material	铜合金 Copper Alloy
表面处理	Surface	镀银 Hard-silver Plated 镀金 Hard-gold Plated
接触电阻	Contact Resistance	$\leq 1\text{m}\Omega$
冷压连接	Crimp Terminal	
mm ²	mm ²	0.14-4mm ²
AWG	AWG	26-12

电流负载能力 Current Carrying Capacity

电流负载能力所受的限制主要来自包含接插针的接插体可承受的最大温度。

测试和控制过程依据 DIN EN 60512-5。

The current carrying is limited by maximum temperature of materials for Inserts and contacts including terminals. Measuring and testing techniques according to DIN EN 60512-5.



① 24B外壳带6个模块，导线截面：2.5mm²

② 24B外壳带6个模块，导线截面：1.5mm²

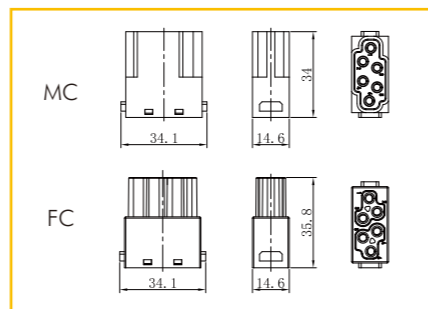
① 24 B hoods/housings with 6 modules, wire gauge: 2.5mm²

② 24 B hoods/housings with 6 modules, wire gauge: 1.5mm²

冷压连接 / Crimp Terminal



Inserts	Product Model	Order No.
Male	HME-006-MC-1	1 007 04 0000059
Female	HME-006-FC-1	1 007 04 0000060



附件 Accessories

接触电阻 $\leq 1\text{m}\Omega$ / Contact resistance $\leq 1\text{m}\Omega$

镀银 silver plated

16A冷压针孔

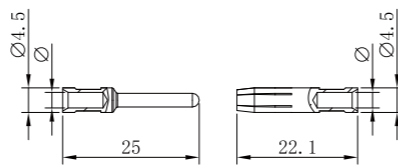


Inserts	Product Model	Order No.	Inserts	Product Model	Order No.
Male	ESM-0.37	1 007 06 0000021	Female	ESF-0.37	1 007 07 0000021
	ESM-0.5	1 007 06 0000022		ESF-0.5	1 007 07 0000022
	ESM-0.75	1 007 06 0000023		ESF-0.75	1 007 07 0000023
	ESM-1.0	1 007 06 0000024		ESF-1.0	1 007 07 0000024
	ESM-1.5	1 007 06 0000025		ESF-1.5	1 007 07 0000025
	ESM-2.5	1 007 06 0000026		ESF-2.5	1 007 07 0000026
	ESM-4.0	1 007 06 0000027		ESF-4.0	1 007 07 0000027

镀金 gold plated



Inserts	Product Model	Order No.	Inserts	Product Model	Order No.
Male	EGM-0.37	1 007 06 0000028	Female	EGF-0.37	1 007 07 0000028
	EGM-0.5	1 007 06 0000029		EGF-0.5	1 007 07 0000029
	EGM-0.75	1 007 06 0000030		EGF-0.75	1 007 07 0000030
	EGM-1.0	1 007 06 0000031		EGF-1.0	1 007 07 0000031
	EGM-1.5	1 007 06 0000032		EGF-1.5	1 007 07 0000032
	EGM-2.5	1 007 06 0000033		EGF-2.5	1 007 07 0000033
	EGM-4.0	1 007 06 0000034		EGF-4.0	1 007 07 0000034



Marking	Wire gauge	Stripping length	
no groove	0.14-0.37 mm ²	AWG 26-22	7.5 mm
no groove	0.5 mm ²	AWG 20	7.5 mm
1 no groove	0.75 mm ²	AWG 18	7.5 mm
1 no groove	1 mm ²	AWG 18	7.5 mm
2 no grooves	1.5 mm ²	AWG 16	7.5 mm
3 no grooves	2.5 mm ²	AWG 14	7.5 mm
wide groove	3 mm ²	AWG 12	7.5 mm
no groove	4 mm ²	AWG 12	7.5 mm

HMEHV-006 冷压型模块

Crimp Module 830V 16A

插芯 Inserts 可与框架及其他所有模块产品组合使用 Combination with hinged frame and other modules possible.

技术参数 Technical Characteristics

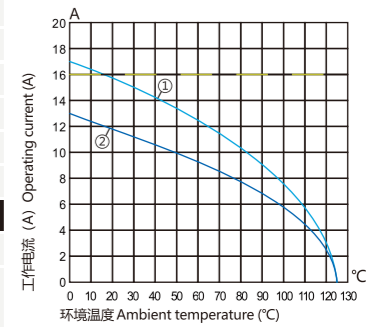
规范	Specifications	DIN EN 60 664 / DIN EN 61 984
插芯	Inserts	
接插件针数	Number Of Contacts	6
依据 EN 61 984 的电气数据	Electrical Data Acc. To EN 61 984	
额定电流	Rated Current	16A
额定电压	Rated Voltage	830V
额定脉冲电压	Rated Impulse Voltage	8KV
污染程度	Pollution Degree	3
绝缘电阻	Insulation Resistance	$\geq 10^{10}\Omega$
材料	Material	聚碳酸酯 Polycarbonate
工作温度范围	Limiting Temperatures	-40°C...+125°C
依据 UL 94 的阻燃等级	Flammability Acc. To UL94	V0
可拔插次数	Mechanical Working Life-mating Cycles	≥ 500
插针	Contacts	
材料	Material	铜合金 Copper Alloy
表面处理	Surface	镀银 Hard-silver Plated 镀金 Hard-gold Plated
接触电阻	Contact Resistance	$\leq 1\text{m}\Omega$
冷压连接	Crimp Terminal	
mm ²	mm ²	0.14-4mm ²
AWG	AWG	26-12

电流负载能力 Current Carrying Capacity

电流负载能力所受的限制主要来自包含接插针的接插体可承受的最大温度。

测试和控制过程依据 DIN EN 60512-5。

The current carrying is limited by maximum temperature of materials for Inserts and contacts including terminals. Measuring and testing techniques according to DIN EN 60512-5.



① 24B外壳带6个模块，导线截面：2.5mm²

② 24B外壳带6个模块，导线截面：1.5mm²

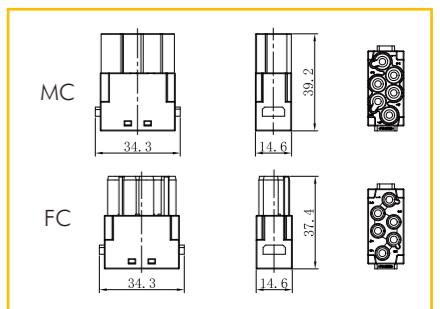
① 24 B hoods/housings with 6 modules, wire gauge: 2.5mm²

② 24 B hoods/housings with 6 modules, wire gauge: 1.5mm²

冷压连接 / Crimp Terminal



Inserts	Product Model	Order No.
Male	HMEHV-006-MC-1	1 007 04 0000061
Female	HMEHV-006-FC-1	1 007 04 0000062



附件 Accessories

接触电阻 $\leq 1\text{m}\Omega$ / Contact resistance $\leq 1\text{m}\Omega$

镀银 silver plated

16A冷压针孔

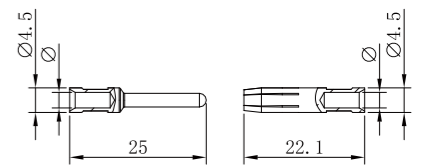


Inserts	Product Model	Order No.	Inserts	Product Model	Order No.
Male	ESM-0.37	1 007 06 0000021	Female	ESF-0.37	1 007 07 0000021
	ESM-0.5	1 007 06 0000022		ESF-0.5	1 007 07 0000022
	ESM-0.75	1 007 06 0000023		ESF-0.75	1 007 07 0000023
	ESM-1.0	1 007 06 0000024		ESF-1.0	1 007 07 0000024
	ESM-1.5	1 007 06 0000025		ESF-1.5	1 007 07 0000025
	ESM-2.5	1 007 06 0000026		ESF-2.5	1 007 07 0000026
	ESM-4.0	1 007 06 0000027		ESF-4.0	1 007 07 0000027

镀金 gold plated



Inserts	Product Model	Order No.	Inserts	Product Model	Order No.
Male	EGM-0.37	1 007 06 0000028	Female	EGF-0.37	1 007 07 0000028
	EGM-0.5	1 007 06 0000029		EGF-0.5	1 007 07 0000029
	EGM-0.75	1 007 06 0000030		EGF-0.75	1 007 07 0000030
	EGM-1.0	1 007 06 0000031		EGF-1.0	1 007 07 0000031
	EGM-1.5	1 007 06 0000032		EGF-1.5	1 007 07 0000032
	EGM-2.5	1 007 06 0000033		EGF-2.5	1 007 07 0000033
	EGM-4.0	1 007 06 0000034		EGF-4.0	1 007 07 0000034



Marking	Wire gauge	Stripping length	
no groove	0.14-0.37 mm ²	AWG 26-22	7.5 mm
no groove	0.5 mm ²	AWG 20	7.5 mm
1 no groove	0.75 mm ²	AWG 18	7.5 mm
1 no groove	1 mm ²	AWG 18	7.5 mm
2 no grooves	1.5 mm ²	AWG 16	7.5 mm
3 no grooves	2.5 mm ²	AWG 14	7.5 mm
wide groove	3 mm ²	AWG 12	7.5 mm
no groove	4 mm ²	AWG 12	7.5 mm

HMEE-008 冷压型模块

Crimp Module 400V 16A

插芯 Inserts 可与框架及其他所有模块产品组合使用 Combination with hinged frame and other modules possible.

技术参数 Technical Characteristics

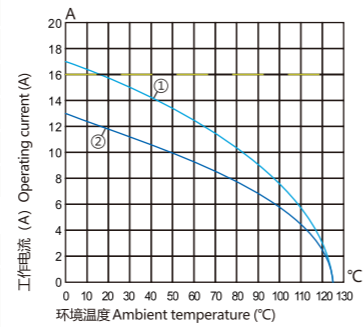
规范	Specifications	DIN EN 60 664 / DIN EN 61 984
插芯	Inserts	
接插件针数	Number Of Contacts	8
依据 EN 61 984 的电气数据	Electrical Data Acc. To EN 61 984	
额定电流	Rated Current	16A
额定电压	Rated Voltage	400V
额定脉冲电压	Rated Impulse Voltage	6KV
污染程度	Pollution Degree	3
绝缘电阻	Insulation Resistance	$\geq 10^{10}\Omega$
材料	Material	聚碳酸酯 Polycarbonate
工作温度范围	Limiting Temperatures	-40°C...+125°C
依据 UL 94 的阻燃等级	Flammability Acc. To UI94	V0
可拔插次数	Mechanical Working Life-mating Cycles	≥ 500
插针	Contacts	
材料	Material	铜合金 Copper Alloy
表面处理	Surface	镀银 Hard-silver Plated 镀金 Hard-gold Plated
接触电阻	Contact Resistance	$\leq 1m\Omega$
冷压连接	Crimp Terminal	
mm ²	mm ²	0.14-4mm ²
AWG	AWG	26-12

电流负载能力 Current Carrying Capacity

电流负载能力所受的限制主要来自包含接插针的接插体可承受的最大温度。

测试和控制过程依据 DIN EN 60512-5。

The current carrying is limited by maximum temperature of materials for Inserts and contacts including terminals. Measuring and testing techniques according to DIN EN 60512-5.



① 24B外壳带6个模块, 导线截面: 2.5mm²

② 24B外壳带6个模块, 导线截面: 1.5mm²

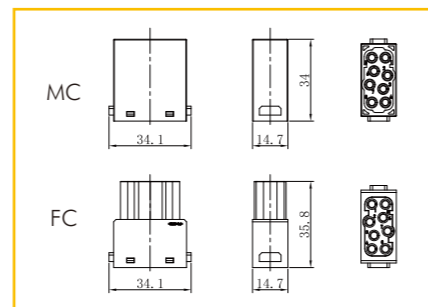
③ 24 B hoods/housings with 6 modules, wire gauge: 2.5mm²

④ 24 B hoods/housings with 6 modules, wire gauge: 1.5mm²

冷压连接 / Crimp Terminal



Inserts	Product Model	Order No.
Male	HMEE-008-MC-1	1 007 04 0000063
Female	HMEE-008-FC-1	1 007 04 0000064



附件 Accessories

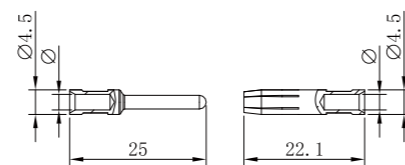
接触电阻 $\leq 1 m\Omega$ / Contact resistance $\leq 1 m\Omega$

镀银 silver plated

16A冷压针孔



Inserts	Product Model	Order No.	Inserts	Product Model	Order No.
Male	ESM-0.37	1 007 06 0000021	Female	ESF-0.37	1 007 07 0000021
	ESM-0.5	1 007 06 0000022		ESF-0.5	1 007 07 0000022
	ESM-0.75	1 007 06 0000023		ESF-0.75	1 007 07 0000023
	ESM-1.0	1 007 06 0000024		ESF-1.0	1 007 07 0000024
	ESM-1.5	1 007 06 0000025		ESF-1.5	1 007 07 0000025
	ESM-2.5	1 007 06 0000026		ESF-2.5	1 007 07 0000026
	ESM-4.0	1 007 06 0000027		ESF-4.0	1 007 07 0000027



Marking	Wire gauge	Stripping length
no groove	0.14-0.37 mm ²	AWG 26-22
no groove	0.5 mm ²	AWG 20
1 no groove	0.75 mm ²	AWG 18
1 no groove	1 mm ²	AWG 18
2 no grooves	1.5 mm ²	AWG 16
3 no grooves	2.5 mm ²	AWG 14
wide groove	3 mm ²	AWG 12
no groove	4 mm ²	AWG 12

镀金 gold plated



Inserts	Product Model	Order No.	Inserts	Product Model	Order No.
Male	EGM-0.37	1 007 06 0000028	Female	EGF-0.37	1 007 07 0000028
	EGM-0.5	1 007 06 0000029		EGF-0.5	1 007 07 0000029
	EGM-0.75	1 007 06 0000030		EGF-0.75	1 007 07 0000030
	EGM-1.0	1 007 06 0000031		EGF-1.0	1 007 07 0000031
	EGM-1.5	1 007 06 0000032		EGF-1.5	1 007 07 0000032
	EGM-2.5	1 007 06 0000033		EGF-2.5	1 007 07 0000033
	EGM-4.0	1 007 06 0000034		EGF-4.0	1 007 07 0000034

HMEE-020 冷压型模块

Crimp Module 500V 16A

插芯 Inserts 可与框架及其他所有模块产品组合使用 Combination with hinged frame and other modules possible.

技术参数 Technical Characteristics

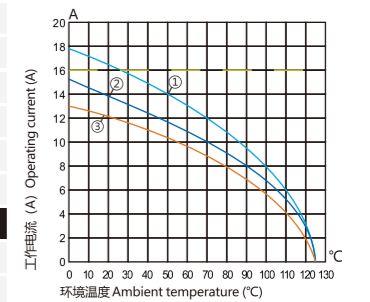
规范	Specifications	DIN EN 60 664 / DIN EN 61 984
插芯	Inserts	
接插件针数	Number Of Contacts	20
依据 EN 61 984 的电气数据	Electrical Data Acc. To EN 61 984	
额定电流	Rated Current	16A
额定电压	Rated Voltage	500V
额定脉冲电压	Rated Impulse Voltage	6KV
污染程度	Pollution Degree	3
绝缘电阻	Insulation Resistance	$\geq 10^{10}\Omega$
材料	Material	聚碳酸酯 Polycarbonate
工作温度范围	Limiting Temperatures	-40°C...+125°C
依据 UL 94 的阻燃等级	Flammability Acc. To UI94	V0
可拔插次数	Mechanical Working Life-mating Cycles	≥ 500
插针	Contacts	
材料	Material	铜合金 Copper Alloy
表面处理	Surface	镀银 Hard-silver Plated 镀金 Hard-gold Plated
接触电阻	Contact Resistance	$\leq 1m\Omega$
冷压连接	Crimp Terminal	
mm ²	mm ²	0.14-4mm ²
AWG	AWG	26-12

电流负载能力 Current Carrying Capacity

电流负载能力所受的限制主要来自包含接插针的接插体可承受的最大温度。

测试和控制过程依据 DIN EN 60512-5。

The current carrying is limited by maximum temperature of materials for Inserts and contacts including terminals. Measuring and testing techniques according to DIN EN 60512-5.



① 24B外壳带6个模块, 导线截面: 4mm²

② 24B外壳带6个模块, 导线截面: 2.5mm²

③ 24B外壳带6个模块, 导线截面: 1.5mm²

④ 24 B hoods/housings with 6 modules, wire gauge: 4mm²

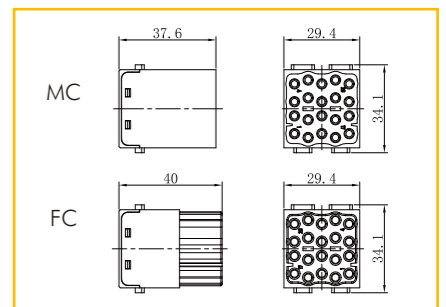
⑤ 24 B hoods/housings with 6 modules, wire gauge: 2.5mm²

⑥ 24 B hoods/housings with 6 modules, wire gauge: 1.5mm²

冷压连接 / Crimp Terminal



Inserts	Product Model	Order No.
Male	HMEE-020-MC-1	1 007 04 0000065
Female	HMEE-020-FC-1	1 007 04 0000066



附件 Accessories

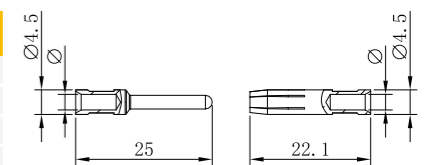
接触电阻 $\leq 1 m\Omega$ / Contact resistance $\leq 1 m\Omega$

镀银 silver plated

16A冷压针孔



Inserts	Product Model	Order No.	Inserts	Product Model	Order No.
Male	ESM-0.37	1 007 06 0000021	Female	ESF-0.37	1 007 07 0000021
	ESM-0.5	1 007 06 0000022		ESF-0.5	1 007 07 0000022
	ESM-0.75	1 007 06 0000023		ESF-0.75	1 007 07 0000023
	ESM-1.0	1 007 06 0000024		ESF-1.0	1 007 07 0000024
	ESM-1.5	1 007 06 0000025		ESF-1.5	1 007 07 0000025
	ESM-2.5	1 007 06 0000026		ESF-2.5	1 007 07 0000026
	ESM-4.0	1 007 06 0000027		ESF-4.0	1 007 07 0000027



Marking	Wire gauge	Stripping length
no groove	0.14-0.37 mm ²	AWG 26-22
no groove	0.5 mm ²	AWG 20
1 no groove	0.75 mm ²	AWG 18
1 no groove	1 mm ²	AWG 18
2 no grooves	1.5 mm ²	AWG 16
3 no grooves	2.5 mm ²	AWG 14
wide groove	3 mm ²	AWG 12
no groove	4 mm ²	AWG 12

镀金 gold plated



Inserts	Product Model	Order No.	Inserts	Product Model	Order No.
Male	EGM-0.37	1 007 06 0000028	Female	EGF-0.37	1 007 07 0000028
	EGM-0.5	1 007 06 0000029		EGF-0.5	1 007 07 0000029
	EGM-0.75	1 007 06 0000030		EGF-0.75	1 007 07 0000030
	EGM-1.0	1 007 06 0000031		EGF-1.0	1 007 07 0000031
	EGM-1.5	1 007 06 0000032		EGF-1.5	1 007 07 0000032
	EGM-2.5	1 007 06 0000033		EGF-2.5	1 007 07 0000033
	EGM-4.0	1 007 06 0000034		EGF-4.0	1 007 07 0000034

HMD-012 冷压型模块

Crimp Module 250V 10A

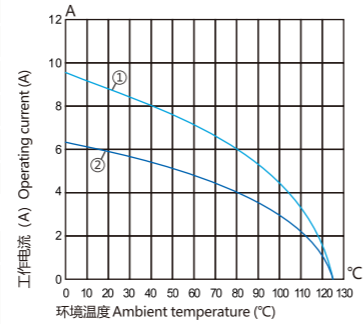
插芯 Inserts 可与框架及其他所有模块产品组合使用 Combination with hinged frame and other modules possible.

技术参数 Technical Characteristics

规范	Specifications	DIN EN 60 664 / DIN EN 61 984
插芯	Inserts	
接插件针数	Number Of Contacts	12
依据 EN 61 984 的电气数据	Electrical Data Acc. To EN 61 984	
额定电流	Rated Current	10A
额定电压	Rated Voltage	250V
额定脉冲电压	Rated Impulse Voltage	4KV
污染程度	Pollution Degree	3
绝缘电阻	Insulation Resistance	$\geq 10^{10}\Omega$
材料	Material	聚碳酸酯 Polycarbonate
工作温度范围	Limiting Temperatures	-40°C...+125°C
依据UL 94的阻燃等级	Flammability Acc. To UI94	V0
可拔插次数	Mechanical Working Life-mating Cycles	≥ 500
插针	Contacts	
材料	Material	铜合金 Copper Alloy
表面处理	Surface	镀银 Hard-silver Plated 镀金 Hard-gold Plated
接触电阻	Contact Resistance	$\leq 3m\Omega$
冷压连接	Crimp Terminal	
mm ²	mm ²	0.14-2.5mm ²
AWG	AWG	26-14

电流负载能力 Current Carrying Capacity

电流负载能力所受的限制主要来自包含接插针的接插体可承受的最大温度。
测试和控制过程依据 DIN EN 60512-5。
The current carrying is limited by maximum temperature of materials for Inserts and contacts including terminals.
Measuring and testing techniques according to DIN EN 60512-5.



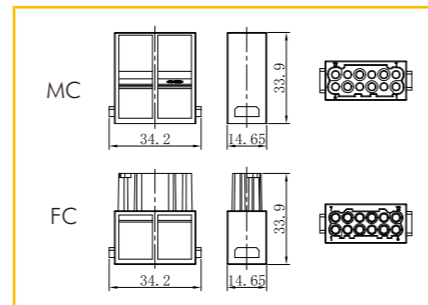
① 24B外壳带6个模块, 导线截面: 1.5mm²
② 24B外壳带6个模块, 导线截面: 1mm²

① 24 B hoods/housings with 6 modules, wire gauge: 1.5mm²
② 24 B hoods/housings with 6 modules, wire gauge: 1mm²

冷压连接 / Crimp Terminal



Inserts	Product Model	Order No.
Male	HMD-012-MC-1	1 007 04 0000067
Female	HMD-012-FC-1	1 007 04 0000068



附件 Accessories

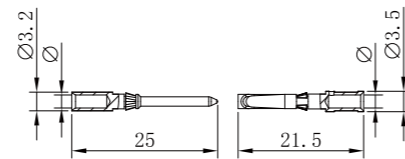
接触电阻 $\leq 3 m\Omega$ / Contact resistance $\leq 3m\Omega$

镀银 silver plated

10A冷压针孔



Inserts	Product Model	Order No.	Inserts	Product Model	Order No.
Male	DSM-0.37	1 007 06 0000009	Female	DSF-0.37	1 007 07 0000009
	DSM-0.5	1 007 06 0000010		DSF-0.5	1 007 07 0000010
	DSM-0.75	1 007 06 0000011		DSF-0.75	1 007 07 0000011
	DSM-1.0	1 007 06 0000012		DSF-1.0	1 007 07 0000012
	DSM-1.5	1 007 06 0000013		DSF-1.5	1 007 07 0000013
	DSM-2.5	1 007 06 0000014		DSF-2.5	1 007 07 0000014



Wire gauge	AWG	φ	Stripping length
0.09-0.25 mm ²	AWG 28-24	0.65 mm	5 mm
0.14-0.37 mm ²	AWG 26-22	0.9 mm	8 mm
0.5 mm ²	AWG 20	1.1 mm	8 mm
0.75 mm ²	AWG 18	1.3 mm	8 mm
1 mm ²	AWG 18	1.45 mm	8 mm
1.5 mm ²	AWG 16	1.75 mm	8 mm
2.5 mm ²	AWG 14	2.25 mm	6 mm

镀金 gold plated



Inserts	Product Model	Order No.	Inserts	Product Model	Order No.
Male	DGM-0.37	1 007 06 0000015	Female	DGF-0.37	1 007 07 0000015
	DGM-0.5	1 007 06 0000016		DGF-0.5	1 007 07 0000016
	DGM-0.75	1 007 06 0000017		DGF-0.75	1 007 07 0000017
	DGM-1.0	1 007 06 0000018		DGF-1.0	1 007 07 0000018
	DGM-1.5	1 007 06 0000019		DGF-1.5	1 007 07 0000019
	DGM-2.5	1 007 06 0000020		DGF-2.5	1 007 07 0000020

HMDD-017 冷压型模块

Crimp Module 160V 10A

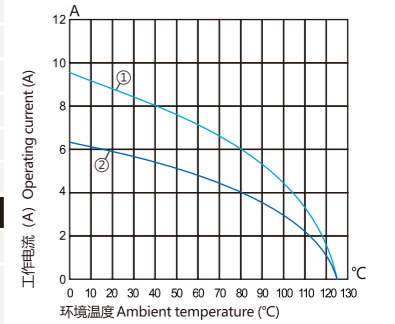
插芯 Inserts 可与框架及其他所有模块产品组合使用 Combination with hinged frame and other modules possible.

技术参数 Technical Characteristics

规范	Specifications	DIN EN 60 664 / DIN EN 61 984
插芯	Inserts	
接插件针数	Number Of Contacts	17
依据 EN 61 984 的电气数据	Electrical Data Acc. To EN 61 984	
额定电流	Rated Current	10A
额定电压	Rated Voltage	160V
额定脉冲电压	Rated Impulse Voltage	2.5KV
污染程度	Pollution Degree	3
绝缘电阻	Insulation Resistance	$\geq 10^{10}\Omega$
材料	Material	聚碳酸酯 Polycarbonate
工作温度范围	Limiting Temperatures	-40°C...+125°C
依据UL 94的阻燃等级	Flammability Acc. To UI94	V0
可拔插次数	Mechanical Working Life-mating Cycles	≥ 500
插针	Contacts	
材料	Material	铜合金 Copper Alloy
表面处理	Surface	镀银 Hard-silver Plated 镀金 Hard-gold Plated
接触电阻	Contact Resistance	$\leq 3m\Omega$
冷压连接	Crimp Terminal	
mm ²	mm ²	0.14-2.5mm ²
AWG	AWG	26-14

电流负载能力 Current Carrying Capacity

电流负载能力所受的限制主要来自包含接插针的接插体可承受的最大温度。
测试和控制过程依据 DIN EN 60512-5。
The current carrying is limited by maximum temperature of materials for Inserts and contacts including terminals.
Measuring and testing techniques according to DIN EN 60512-5.



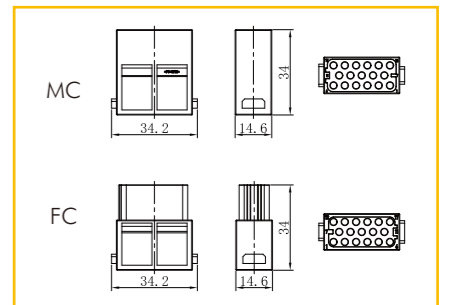
① 24B外壳带6个模块, 导线截面: 1.5mm²
② 24B外壳带6个模块, 导线截面: 1mm²

① 24 B hoods/housings with 6 modules, wire gauge: 1.5mm²
② 24 B hoods/housings with 6 modules, wire gauge: 1mm²

冷压连接 / Crimp Terminal



Inserts	Product Model	Order No.
Male	HMDD-017-MC-1	1 007 04 0000069
Female	HMDD-017-FC-1	1 007 04 0000070



附件 Accessories

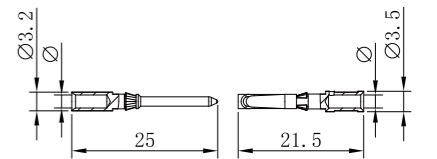
接触电阻 $\leq 3 m\Omega$ / Contact resistance $\leq 3m\Omega$

镀银 silver plated

10A冷压针孔



Inserts	Product Model	Order No.	Inserts	Product Model	Order No.
Male	DSM-0.37	1 007 06 0000009	Female	DSF-0.37	1 007 07 0000009
	DSM-0.5	1 007 06 0000010		DSF-0.5	1 007 07 0000010
	DSM-0.75	1 007 06 0000011		DSF-0.75	1 007 07 0000011
	DSM-1.0	1 007 06 0000012		DSF-1.0	1 007 07 0000012
	DSM-1.5	1 007 06 0000013		DSF-1.5	1 007 07 0000013
	DSM-2.5	1 007 06 0000014		DSF-2.5	1 007 07 0000014



Wire gauge	AWG	φ	Stripping length
0.09-0.25 mm ²	AWG 28-24	0.65 mm	5 mm
0.14-0.37 mm ²	AWG 26-22	0.9 mm	8 mm
0.5 mm ²	AWG 20	1.1 mm	8 mm
0.75 mm ²	AWG 18	1.3 mm	8 mm
1 mm ²	AWG 18	1.45 mm	8 mm
1.5 mm ²	AWG 16	1.75 mm	8 mm
2.5 mm ²	AWG 14	2.25 mm	6 mm

镀金 gold plated



Inserts	Product Model	Order No.	Inserts	Product Model	Order No.
Male	DGM-0.37	1 007 06 0000015	Female	DGF-0.37	1 007 07 0000015
	DGM-0.5	1 007 06 0000016		DGF-0.5	1 007 07 0000016
	DGM-0.75	1 007 06 0000017		DGF-0.75	1 007 07 0000017
	DGM-1.0	1 007 06 0000018		DGF-1.0	1 007 07 0000018
	DGM-1.5	1 007 06 0000019		DGF-1.5	1 007 07 0000019
	DGM-2.5	1 007 06 0000020		DGF-2.5	1 007 07 0000020

HMDD-036 冷压型模块

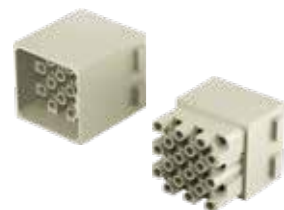
Crimp Module 400V 10A

插芯 Inserts 可与框架及其他所有模块产品组合使用 Combination with hinged frame and other modules possible.

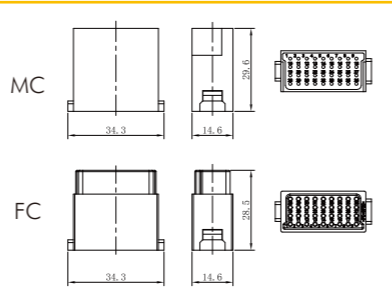
技术参数 Technical Characteristics

规范	Specifications	DIN EN 60 664 / DIN EN 61 984
插芯	Inserts	
接插件针数	Number Of Contacts	36
依据 EN 61 984 的电气数据	Electrical Data Acc. To EN 61 984	
额定电流	Rated Current	10A
额定电压	Rated Voltage	400V
额定脉冲电压	Rated Impulse Voltage	6KV
污染程度	Pollution Degree	3
绝缘电阻	Insulation Resistance	$\geq 10^{10}\Omega$
材料	Material	聚碳酸酯 Polycarbonate
工作温度范围	Limiting Temperatures	-40°C...+125°C
依据 UL 94 的阻燃等级	Flammability Acc. To UI94	V0
可拔插次数	Mechanical Working Life-mating Cycles	≥ 500
插针	Contacts	
材料	Material	铜合金 Copper Alloy
表面处理	Surface	镀银 Hard-silver Plated 镀金 Hard-gold Plated
接触电阻	Contact Resistance	$\leq 3m\Omega$
冷压连接	Crimp Terminal	
mm ²	mm ²	0.14-2.5mm ²
AWG	AWG	26-14

冷压连接 / Crimp Terminal



Inserts	Product Model	Order No.
Male	HMDD-036-MC-1	1 007 04 0000071
Female	HMDD-036-FC-1	1 007 04 0000072



附件 Accessories

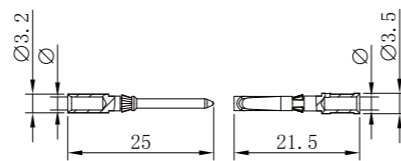
接触电阻 $\leq 3 m\Omega$ / Contact resistance $\leq 3m\Omega$

镀银 silver plated

10A冷压针孔



Inserts	Product Model	Order No.	Inserts	Product Model	Order No.
Male	DSM-0.37	1 007 06 0000009	Female	DSF-0.37	1 007 07 0000009
	DSM-0.5	1 007 06 0000010		DSF-0.5	1 007 07 0000010
	DSM-0.75	1 007 06 0000011		DSF-0.75	1 007 07 0000011
	DSM-1.0	1 007 06 0000012		DSF-1.0	1 007 07 0000012
	DSM-1.5	1 007 06 0000013		DSF-1.5	1 007 07 0000013
	DSM-2.5	1 007 06 0000014		DSF-2.5	1 007 07 0000014



Wire gauge	AWG	ϕ	Stripping length
0.09-0.25 mm ²	AWG 28-24	0.65 mm	5 mm
0.14-0.37 mm ²	AWG 26-22	0.9 mm	8 mm
0.5 mm ²	AWG 20	1.1 mm	8 mm
0.75 mm ²	AWG 18	1.3 mm	8 mm
1 mm ²	AWG 18	1.45 mm	8 mm
1.5 mm ²	AWG 16	1.75 mm	8 mm
2.5 mm ²	AWG 14	2.25 mm	6 mm

镀金 gold plated



Inserts	Product Model	Order No.	Inserts	Product Model	Order No.
Male	DGM-0.37	1 007 06 0000015	Female	DGF-0.37	1 007 07 0000015
	DGM-0.5	1 007 06 0000016		DGF-0.5	1 007 07 0000016
	DGM-0.75	1 007 06 0000017		DGF-0.75	1 007 07 0000017
	DGM-1.0	1 007 06 0000018		DGF-1.0	1 007 07 0000018
	DGM-1.5	1 007 06 0000019		DGF-1.5	1 007 07 0000019
	DGM-2.5	1 007 06 0000020		DGF-2.5	1 007 07 0000020

HMDD-042 冷压型模块

Crimp Module 150V 10A

插芯 Inserts 可与框架及其他所有模块产品组合使用 Combination with hinged frame and other modules possible.

技术参数 Technical Characteristics

规范	Specifications	DIN EN 60 664 / DIN EN 61 984
插芯	Inserts	
接插件针数	Number Of Contacts	42
依据 EN 61 984 的电气数据	Electrical Data Acc. To EN 61 984	
额定电流	Rated Current	10A
额定电压	Rated Voltage	150V
额定脉冲电压	Rated Impulse Voltage	2.5KV
污染程度	Pollution Degree	3
绝缘电阻	Insulation Resistance	$\geq 10^{10}\Omega$
材料	Material	聚碳酸酯 Polycarbonate
工作温度范围	Limiting Temperatures	-40°C...+125°C
依据 UL 94 的阻燃等级	Flammability Acc. To UI94	V0
可拔插次数	Mechanical Working Life-mating Cycles	≥ 500
插针	Contacts	
材料	Material	铜合金 Copper Alloy
表面处理	Surface	镀银 Hard-silver Plated 镀金 Hard-gold Plated
接触电阻	Contact Resistance	$\leq 3m\Omega$
冷压连接	Crimp Terminal	
mm ²	mm ²	0.14-2.5mm ²
AWG	AWG	26-14

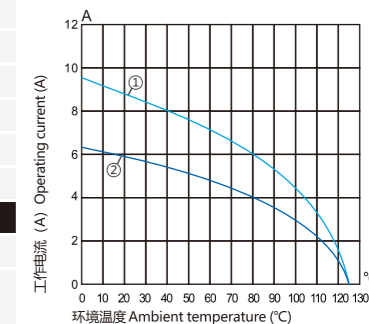
电流负载能力

Current Carrying Capacity

电流负载能力所受的限制主要来自包含接插针的接插体可承受的最大温度。

测试和控制过程依据 DIN EN 60512-5。

The current carrying is limited by maximum temperature of materials for Inserts and contacts including terminals. Measuring and testing techniques according to DIN EN 60512-5.



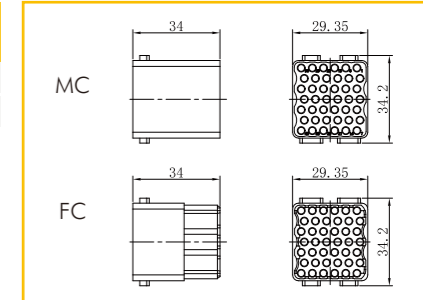
① 24B外壳带3个模块，导线截面：1.5mm²

② 24 B hoods/housings with 3 modules, wire gauge: 1.5mm²

冷压连接 / Crimp Terminal



Inserts	Product Model	Order No.
Male	HMDD-042-MC	1 007 04 0000073
Female	HMDD-042-FC	1 007 04 0000074



附件 Accessories

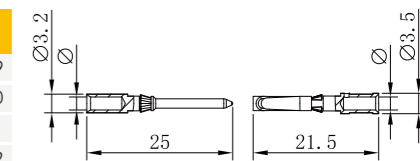
接触电阻 $\leq 3 m\Omega$ / Contact resistance $\leq 3m\Omega$

镀银 silver plated

10A冷压针孔



Inserts	Product Model	Order No.	Inserts	Product Model	Order No.
Male	DSM-0.37	1 007 06 0000009	Female	DSF-0.37	1 007 07 0000009
	DSM-0.5	1 007 06 0000010		DSF-0.5	1 007 07 0000010
	DSM-0.75	1 007 06 0000011		DSF-0.75	1 007 07 0000011
	DSM-1.0	1 007 06 0000012		DSF-1.0	1 007 07 0000012
	DSM-1.5	1 007 06 0000013		DSF-1.5	1 007 07 0000013
	DSM-2.5	1 007 06 0000014		DSF-2.5	1 007 07 0000014



Wire gauge	AWG	ϕ	Stripping length
0.09-0.25 mm ²	AWG 28-24	0.65 mm	5 mm
0.14-0.37 mm ²	AWG 26-22	0.9 mm	8 mm
0.5 mm ²	AWG 20	1.1 mm	8 mm
0.75 mm ²	AWG 18	1.3 mm	8 mm
1 mm ²	AWG 18	1.45 mm	8 mm
1.5 mm ²	AWG 16	1.75 mm	8 mm
2.5 mm ²	AWG 14	2.25 mm	6 mm

镀金 gold plated



Inserts	Product Model	Order No.	Inserts	Product Model	Order No.
Male	DGM-0.37	1 007 06 0000015	Female	DGF-0.37	1 007 07 0000015
	DGM-0.5	1 007 06 0000016		DGF-0.5	1 007 07 0000016
	DGM-0.75	1 007 06 0000017		DGF-0.75	1 007 07 0000017
	DGM-1.0	1 007 06 0000018		DGF-1.0	1 007 07 0000018
	DGM-1.5	1 007 06 0000019		DGF-1.5	1 007 07 0000019
	DGM-2.5	1 007 06 0000020		DGF-2.5	1 007 07 0000020

HMDB-009 冷压型模块

Crimp Module 50V 5A

插芯 Inserts 可与框架及其他所有模块产品组合使用 Combination with hinged frame and other modules possible.

技术参数 Technical Characteristics

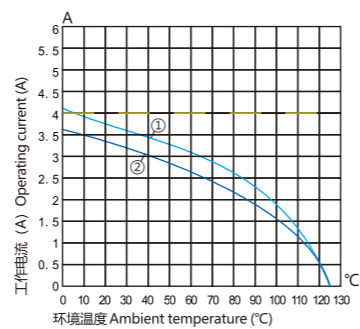
规范	Specifications	DIN EN 60 664 / DIN EN 61 984
插芯	Inserts	
接插件针数	Number Of Contacts	9
依据 EN 61 984 的电气数据	Electrical Data Acc. To EN 61 984	
额定电流	Rated Current	5A
额定电压	Rated Voltage	50V
额定脉冲电压	Rated Impulse Voltage	0.8KV
污染程度	Pollution Degree	3
绝缘电阻	Insulation Resistance	$\geq 10^{10}\Omega$
材料	Material	聚碳酸酯 Polycarbonate
工作温度范围	Limiting Temperatures	-40°C...+125°C
依据 UL 94 的阻燃等级	Flammability Acc. To UI94	V0
可拔插次数	Mechanical Working Life-mating Cycles	≥ 500
插针	Contacts	
材料	Material	铜合金 Copper Alloy
表面处理	Surface	镀银 Hard-silver Plated 镀金 Hard-gold Plated
接触电阻	Contact Resistance	$\leq 3m\Omega$
冷压连接	Crimp Terminal	
mm ²	mm ²	0.09-0.82mm ²
AWG	AWG	28-18

电流负载能力 Current Carrying Capacity

电流负载能力所受的限制主要来自包含接插针的接插体可承受的最大温度。

测试和控制过程依据 DIN EN 60512-5。

The current carrying is limited by maximum temperature of materials for Inserts and contacts including terminals. Measuring and testing techniques according to DIN EN 60512-5.



① 24B外壳带6个模块, 导线截面: 0.5mm²

② 24B外壳带6个模块, 导线截面: 0.5mm²

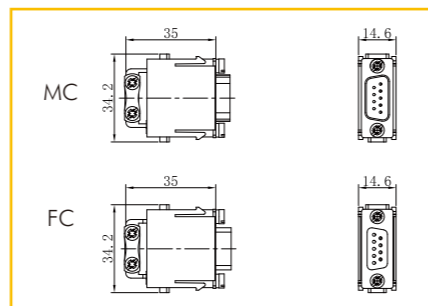
① 24 B hoods/housings with 6 modules, wire gauge: 0.5mm²

② 24 B hoods/housings with 6 modules, wire gauge: 0.5mm²

冷压连接 / Crimp Terminal



Inserts	Product Model	Order No.
Male	HMDB-009-MC-1	1 007 04 0000083
Female	HMDB-009-FC-1	1 007 04 0000084



附件 Accessories

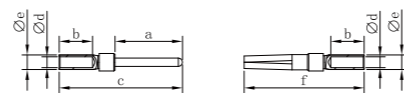
接触电阻 $\leq 3 m\Omega$ / Contact resistance $\leq 3 m\Omega$

镀银 silver plated

5A冷压针孔



Inserts	Product Model	Order No.	Inserts	Product Model	Order No.
Male	SSM-0.25	1 007 06 0000001	Female	SSF-0.25	1 007 07 0000001
	SSM-0.33	1 007 06 0000002		SSF-0.33	1 007 07 0000002
	SSM-0.52	1 007 06 0000003		SSF-0.52	1 007 07 0000003
	SSM-0.82	1 007 06 0000004		SSF-0.82	1 007 07 0000004



a	b	c	d	e	f
8.10	4.0	14.8	0.64	1.66	14.4
8.10	4.0	14.8	0.90	1.66	14.4
8.10	4.0	14.8	1.12	1.66	14.4
8.23	4.2	14.0	1.35	1.75	13.6

Wire gauge	Stripping length
0.09-0.25 mm ²	AWG 28-24
0.13-0.33 mm ²	AWG 26-22
0.33-0.52 mm ²	AWG 20-20
0.52-0.82 mm ²	AWG 22-18

镀金 gold plated



Inserts	Product Model	Order No.	Inserts	Product Model	Order No.
Male	SGM-0.25	1 007 06 0000005	Female	SGF-0.25	1 007 07 0000005
	SGM-0.33	1 007 06 0000006		SGF-0.33	1 007 07 0000006
	SGM-0.52	1 007 06 0000007		SGF-0.52	1 007 07 0000007
	SGM-0.82	1 007 06 0000008		SGF-0.82	1 007 07 0000008

HMHD-025 冷压型模块

Crimp Module 50V 4A

插芯 Inserts 可与框架及其他所有模块产品组合使用 Combination with hinged frame and other modules possible.

技术参数 Technical Characteristics

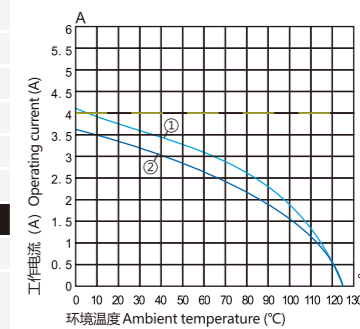
规范	Specifications	DIN EN 60 664 / DIN EN 61 984
插芯	Inserts	
接插件针数	Number Of Contacts	25
依据 EN 61 984 的电气数据	Electrical Data Acc. To EN 61 984	
额定电流	Rated Current	4A
额定电压	Rated Voltage	50V
额定脉冲电压	Rated Impulse Voltage	0.8KV
污染程度	Pollution Degree	3
绝缘电阻	Insulation Resistance	$\geq 10^{10}\Omega$
材料	Material	聚碳酸酯 Polycarbonate
工作温度范围	Limiting Temperatures	-40°C...+125°C
依据 UL 94 的阻燃等级	Flammability Acc. To UI94	V0
可拔插次数	Mechanical Working Life-mating Cycles	≥ 500
插针	Contacts	
材料	Material	铜合金 Copper Alloy
表面处理	Surface	镀银 Hard-silver Plated 镀金 Hard-gold Plated
接触电阻	Contact Resistance	$\leq 3m\Omega$
冷压连接	Crimp Terminal	
mm ²	mm ²	0.09-0.52mm ²
AWG	AWG	28-20

电流负载能力 Current Carrying Capacity

电流负载能力所受的限制主要来自包含接插针的接插体可承受的最大温度。

测试和控制过程依据 DIN EN 60512-5。

The current carrying is limited by maximum temperature of materials for Inserts and contacts including terminals. Measuring and testing techniques according to DIN EN 60512-5.



① 24B外壳带6个模块, 导线截面: 0.5mm² (车削针)

② 24B外壳带6个模块, 导线截面: 0.5mm² (冲压针)

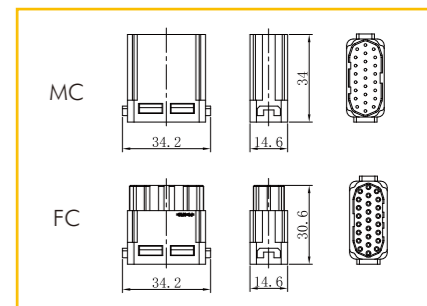
① 24 B hoods/housings with 6 modules, wire gauge: 0.5mm²

② 24 B hoods/housings with 6 modules, wire gauge: 0.5mm²

冷压连接 / Crimp Terminal



Inserts	Product Model	Order No.
Male	HMHD-025-MC-1	1 007 04 0000075
Female	HMHD-025-FC-1	1 007 04 0000076



附件 Accessories

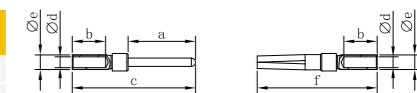
接触电阻 $\leq 3 m\Omega$ / Contact resistance $\leq 3 m\Omega$

镀银 silver plated

5A冷压针孔



Inserts	Product Model	Order No.	Inserts	Product Model	Order No.
Male	SSM-0.25	1 007 06 0000001	Female	SSF-0.25	1 007 07 0000001
	SSM-0.33	1 007 06 0000002		SSF-0.33	1 007 07 0000002
	SSM-0.52	1 007 06 0000003		SSF-0.52	1 007 07 0000003
	SSM-0.82	1 007 06 0000004		SSF-0.82	1 007 07 0000004



a	b	c	d	e	f
8.10	4.0	14.8	0.64	1.66	14.4
8.10	4.0	14.8	0.90	1.66	14.4
8.10	4.0	14.8	1.12	1.66	14.4
8.23	4.2	14.0	1.35	1.75	13.6

镀金 gold plated



Inserts	Product Model	Order No.	Inserts	Product Model	Order No.
Male	SGM-0.25	1 007 06 0000005	Female	SGF-0.25	1 007 07 0000005
	SGM-0.33	1 007 06 0000006		SGF-0.33	1 007 07 0000006
	SGM-0.52	1 007 06 0000007		SGF-0.52	1 007 07 0000007
	SGM-0.82	1 007 06 0000008		SGF-0.82	1 007 07 0000008

Wire gauge	Stripping length
0.09-0.25 mm ²	AWG 28-24
0.13-0.33 mm ²	AWG 26-22
0.33-0.52 mm ²	AWG 20-20
0.52-0.82 mm ²	AWG 22-18

HMHD-036 冷压型模块

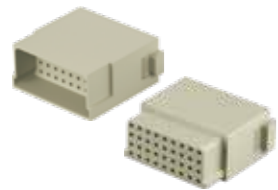
Crimp Module 50V 4A

插芯 Inserts 可与框架及其他所有模块产品组合使用 Combination with hinged frame and other modules possible.

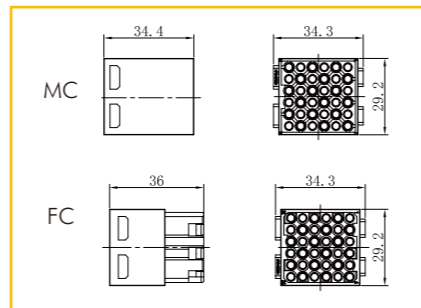
技术参数 Technical Characteristics

规范	Specifications	DIN EN 60 664 / DIN EN 61 984
插芯	Inserts	
接插件针数	Number Of Contacts	36
依据 EN 61 984 的电气数据	Electrical Data Acc. To EN 61 984	
额定电流	Rated Current	4A
额定电压	Rated Voltage	50V
额定脉冲电压	Rated Impulse Voltage	0.8KV
污染程度	Pollution Degree	3
绝缘电阻	Insulation Resistance	$\geq 10^{10}\Omega$
材料	Material	聚碳酸酯 Polycarbonate
工作温度范围	Limiting Temperatures	-40°C...+125°C
依据 UL 94 的阻燃等级	Flammability Acc. To UI94	V0
可拔插次数	Mechanical Working Life-mating Cycles	≥ 500
插针	Contacts	
材料	Material	铜合金 Copper Alloy
表面处理	Surface	镀银 Hard-silver Plated 镀金 Hard-gold Plated
接触电阻	Contact Resistance	$\leq 3m\Omega$
冷压连接	Crimp Terminal	
mm ²	mm ²	0.09-0.52mm ²
AWG	AWG	28-20

冷压连接 / Crimp Terminal



Inserts	Product Model	Order No.
Male	HMHD-036-MC-1	1 007 04 0000077
Female	HMHD-036-FC-1	1 007 04 0000078



附件 Accessories

接触电阻 $\leq 3 m\Omega$ / Contact resistance $\leq 3 m\Omega$

镀银 silver plated

5A冷压针孔



Inserts	Product Model	Order No.	Inserts	Product Model	Order No.
Male	SSM-0.25	1 007 06 0000001	Female	SSF-0.25	1 007 07 0000001
	SSM-0.33	1 007 06 0000002		SSF-0.33	1 007 07 0000002
	SSM-0.52	1 007 06 0000003		SSF-0.52	1 007 07 0000003
	SSM-0.82	1 007 06 0000004		SSF-0.82	1 007 07 0000004



a	b	c	d	e	f
8.10	4.0	14.8	0.64	1.66	14.4
8.10	4.0	14.8	0.90	1.66	14.4
8.10	4.0	14.8	1.12	1.66	14.4
8.23	4.2	14.0	1.35	1.75	13.6

镀金 gold plated



Inserts	Product Model	Order No.	Inserts	Product Model	Order No.
Male	SGM-0.25	1 007 06 0000005	Female	SGF-0.25	1 007 07 0000005
	SGM-0.33	1 007 06 0000006		SGF-0.33	1 007 07 0000006
	SGM-0.52	1 007 06 0000007		SGF-0.52	1 007 07 0000007
	SGM-0.82	1 007 06 0000008		SGF-0.82	1 007 07 0000008

Wire gauge	Stripping length
0.09-0.25 mm ²	AWG 28-24 5 mm
0.13-0.33 mm ²	AWG 26-22 5 mm
0.33-0.52 mm ²	AWG 20-20 5 mm
0.52-0.82 mm ²	AWG 22-18 5 mm

HM-RJ45 模块

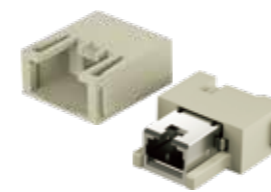
RJ45 Module 50V 1A

插芯 Inserts 可与框架及其他所有模块产品组合使用 Combination with hinged frame and other modules possible.

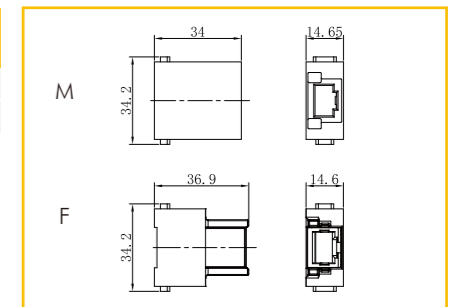
技术参数 Technical Characteristics

规范	Specifications	DIN EN 60 664 / DIN EN 61 984
插芯	Inserts	
接插件针数	Number Of Contacts	8
依据 EN 61 984 的电气数据	Electrical Data Acc. To EN 61 984	
额定电流	Rated Current	1A
额定电压	Rated Voltage	50V
额定脉冲电压	Rated Impulse Voltage	0.8KV
污染程度	Pollution Degree	3
传输特性	Transmission features	上超6类可达500 MHz 依据 ISO/IEC 24 702 ISO/IEC 11 801 Category 6 /Class E up to 500 MHz; Acc. to ISO/IEC 11 801:2002 and EN 50 173-1 ISO/IEC24 702
传输速率	Transmission rate	10/100/1000 Mbit/s、10Gbit/s
绝缘电阻	Insulation Resistance	$\geq 10^{10}\Omega$
材料	Material	聚碳酸酯 Polycarbonate
工作温度范围	Limiting Temperatures	-40°C...+85°C
依据 UL 94 的阻燃等级	Flammability Acc. To UI94	< 30 V
可拔插次数	Mechanical Working Life-mating Cycles	≥ 500

插芯 用于接缆线 / Inserts for patch cable



Inserts	Product Model	Order No.
Male	HM-RJ45-MC-1	1 007 04 0000085
Female	HM-RJ45-FC-1	1 007 04 0000086



适配器 / Adapter



Inserts	Product Model	Order No.
与公插芯搭配 go with male insert	HM-RJ45-APT-1	1 007 04 0000087

仅用于标准电缆接线

HMP-002 气动模块

Pneumatic Module

插芯 Inserts 可与框架及其他所有模块产品组合使用 Combination with hinged frame and other modules possible.

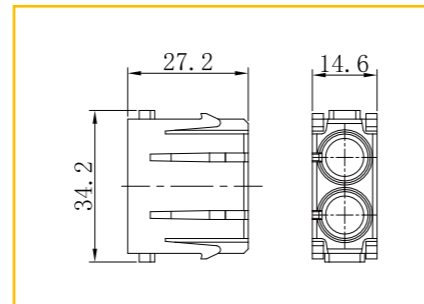
技术参数 Technical Characteristics

规范	Specifications	DIN EN 60 664 / DIN EN 61 984
插芯	Inserts	
接插件针数	Number Of Contacts	2
材料	Material	聚碳酸酯 Polycarbonate
工作温度范围	Limiting Temperatures	-40°C...+80°C
依据UL 94的阻燃等级	Flammability Acc. To UI94	V0
可拔插次数	Mechanical Working Life-mating Cycles	≥500
插针	Contacts	
材料	Material	聚甲醛 Delrin Acetal
颜色	Colour	黑色 Black
软管连接	Tube Termination Internal	
内径	Diameter (id)	6.0mm/1/4"
工作压力	Working Pressure	最大(Up To) 8 Bar/116 Psi
密封圈	Sealing	
材料	Material	氟橡胶 FPM
闭锁阀	Shut Off Valve	
材料	Material	聚甲醛 Polyformaldehyde

气动模块 / Pneumatic Module



Product Model	Order No.
HMP-002	1 007 04 0000104



附件 Accessories

针 用于气管内径(ID) / For Tubeinternal Diameter(ID)



Inserts	Description	ID	Product Model	Order No.
Male	Without Shut Off	6.0mm	PCM-6.0	1 007 04 0000105
Female	Without Shut Off	6.0mm	PCF-6.0	1 007 04 0000106

针 用于气管内径(ID) / For Tubeinternal Diameter(ID)



Inserts	Description	ID	Product Model	Order No.
Female	Shut Off	6.0mm	PCFS-6.0	1 007 04 0000107

HMP-003 气动模块

Pneumatic Module

插芯 Inserts 可与框架及其他所有模块产品组合使用 Combination with hinged frame and other modules possible.

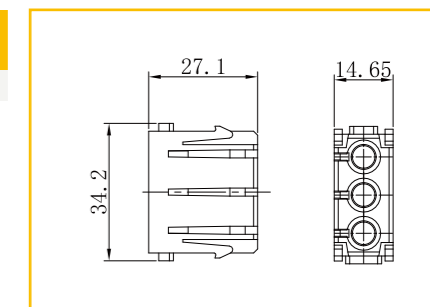
技术参数 Technical Characteristics

规范	Specifications	DIN EN 60 664 / DIN EN 61 984
插芯	Inserts	
接插件针数	Number Of Contacts	3
材料	Material	聚碳酸酯 Polycarbonate
工作温度范围	Limiting Temperatures	-40°C...+80°C
依据UL 94的阻燃等级	Flammability Acc. To UI94	V0
可拔插次数	Mechanical Working Life-mating Cycles	≥500
插针	Contacts	
材料	Material	聚甲醛 Delrin Acetal
颜色	Colour	黑色 Black
软管连接	Tube Termination Internal	
内径	Diameter (id)	1.6mm/1/16 " 3mm 4mm/1/8 "
工作压力	Working Pressure	最大(Up To) 8 Bar/116 Psi
密封圈	Sealing	
材料	Material	氟橡胶 FPM
闭锁阀	Shut Off Valve	
材料	Material	聚甲醛 Polyformaldehyde

气动模块 / Pneumatic Module



Product Model	Order No.
HMP-003	1 007 04 0000108



附件 Accessories

针 用于气管内径(ID) / For Tubeinternal Diameter(ID)



Inserts	Description	ID	Product Model	Order No.
Male	Without Shut Off	1.6mm	PCM-1.6	1 007 04 0000109
	Without Shut Off	3.0mm	PCM-3.0	1 007 04 0000110
	Without Shut Off	4.0mm	PCM-4.0	1 007 04 0000111
Female	Without Shut Off	1.6mm	PCF-1.6	1 007 04 0000112
	Without Shut Off	3.0mm	PCF-3.0	1 007 04 0000113
	Without Shut Off	4.0mm	PCF-4.0	1 007 04 0000114

针 用于气管内径(ID) / For Tubeinternal Diameter(ID)



Inserts	Description	ID	Product Model	Order No.
Female	Shut Off	1.6mm	PCFS-1.6	1 007 04 0000115
	Shut Off	3.0mm	PCFS-3.0	1 007 04 0000116
	Shut Off	4.0mm	PCFS-4.0	1 007 04 0000117

HMP-003-V2 金属气动针模块

Metal Pneumatic Module



插芯 Inserts 可与框架及其他所有模块产品组合使用 Combination with hinged frame and other modules possible.

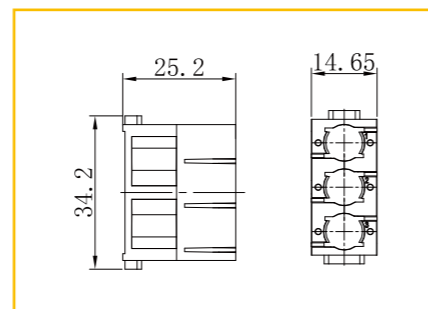
技术参数 Technical Characteristics

规范	Specifications	DIN EN 60 664 / DIN EN 61 984
插芯	Inserts	
接插件针数	Number Of Contacts	3
材料	Material	聚碳酸酯 Polycarbonate
工作温度范围	Limiting Temperatures	-40°C...+80°C
依据UL 94的阻燃等级	Flammability Acc. To UI94	V0
可拔插次数	Mechanical Working Life-mating Cycles	≥500
插针	Contacts	
材料	Material	铜 Copper
颜色	Colour	镀镍 Nickel plating
软管连接	Tube Termination Internal	
外径	Outer diameter (OD)	3.0mm 4.0mm 6.0mm
工作压力	Working Pressure	up to 10 bar/145 psi
密封圈	Sealing	
材料	Material	氟橡胶 FPM
闭锁阀	Shut Off Valve	
材料	Material	聚甲醛 polyformaldehyde

金属气动针模块 / Pneumatic Module



Product Model	Order No.
HMP-003-V2	1 007 04 0000120



附件 Accessories

针 用于气管内径(ID) / For Tube internal Diameter(ID)



Inserts	Description	ID	Product Model	Order No.
Male	Without Shut Off	3.0 mm	MPCF-OD3.0	1 007 07 0000059
	Without Shut Off	4.0 mm	MPCF-OD4.0	1 007 07 0000060
	Without Shut Off	6.0 mm	MPCF-OD6.0	1 007 07 0000061
Female	Without Shut Off	3.0 mm	MPCFS-OD3.0	1 007 07 0000062
	Without Shut Off	4.0 mm	MPCFS-OD4.0	1 007 07 0000063
	Without Shut Off	6.0 mm	MPCFS-OD6.0	1 007 07 0000064

针 用于气管内径(ID) / For Tube internal Diameter(ID)



Inserts	Description	ID	Product Model	Order No.
Female	Shut Off	3.0 mm	MPCM-OD3.0	1 007 06 0000059
	Shut Off	4.0 mm	MPCM-OD4.0	1 007 06 0000060
	Shut Off	6.0 mm	MPCM-OD6.0	1 007 06 0000061

HQ-005系列技术特性

HQ-005 technical Characteristics



插芯 Inserts 可与框架及其他所有模块产品组合使用 Combination with hinged frame and other modules possible.

技术参数 Technical Characteristics

规范	Specifications	DIN EN 60 664 / DIN EN 61 984
插芯	Inserts	
接插件针数	Number Of Contacts	5+PE
额定电流	Rated current	16A
线电压	Rated voltage conductor-ground	230V
相电压	Rated voltage conductor-conductor	400V
耐冲击电压	Rated impulse voltage	4KV
污染等级	Pollution Degree	3
污染等级2时	Pollution Degree 2	16A 320/500V 4KV
绝缘电阻	Insulation Resistance	≥10 ¹⁰ Ω
材料	Material	聚碳酸酯 Polycarbonate
工作温度范围	Limiting Temperatures	-40°C...+125°C
依据UL 94的阻燃等级	Flammability Acc. To UI94	V0
据UL/CSA额定电压	Rated voltage acc.to UL/CSA	600V
可拔插次数	Mechanical Working Life-mating Cycles	≥500
插针	Contacts	
材料	Material	铜合金 Copper Alloy
表面处理	Surface	镀银/镀金 Hard silver-plated Hard gold-plated
接触电阻	Contact Resistance	≤1mΩ
接线形式	Terminal	冷压连接 Crimp terminal
导线规格	Wire gauge	0.14-4mm ² AWG 26-12

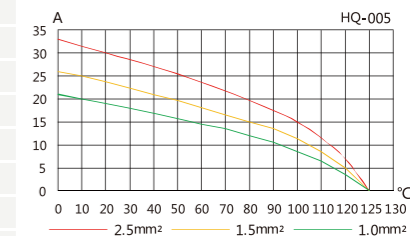
电流负载能力

Current Carrying Capacity

电流负载能力所受的限制主要来自包含接插针的接插体可承受的最大温度。

测试和控制过程依据 IEC 60512-3.

The current carrying is limited by maximum temperature of materials for Inserts and contacts including terminals. Measuring and testing techniques according to IEC 60512-3.



接插芯件

Contact inserts



→ HQ-005-MC/FC

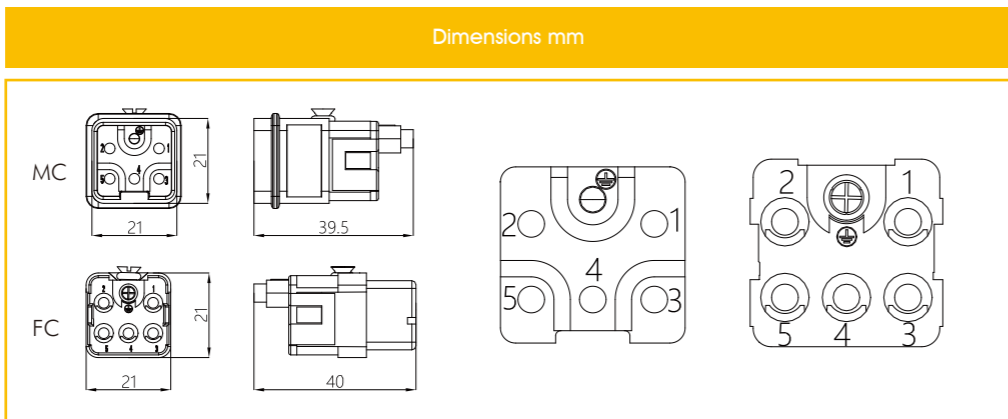
230V/400V 16A Size 3A 5

匹配 H3A 外壳系列,参见P121-123 For H3A,Hood/Housing Please Refer Page No. P121-123

Identification	Product Model	Order No.	Product Model	Order No.
----------------	---------------	-----------	---------------	-----------

冷压连接/Crimp termination

HQ-005-MC	1 007 03 0000105	HQ-005-FC	1 007 03 0000106
-----------	------------------	-----------	------------------



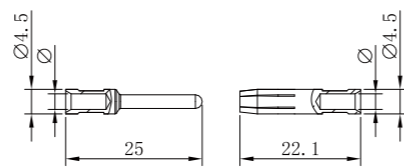
附件 Accessories

接触电阻 ≤ 1 mΩ / Contact resistance ≤ 1 mΩ

镀银 silver plated

16A冷压针孔

Inserts	Product Model	Order No.	Inserts	Product Model	Order No.
Male	ESM-0.37	1 007 06 0000021	Female	ESF-0.37	1 007 07 0000021
	ESM-0.5	1 007 06 0000022		ESF-0.5	1 007 07 0000022
	ESM-0.75	1 007 06 0000023		ESF-0.75	1 007 07 0000023
	ESM-1.0	1 007 06 0000024		ESF-1.0	1 007 07 0000024
	ESM-1.5	1 007 06 0000025		ESF-1.5	1 007 07 0000025
	ESM-2.5	1 007 06 0000026		ESF-2.5	1 007 07 0000026
ESM-4.0	1 007 06 0000027	ESF-4.0	1 007 07 0000027		



Marking	Wire gauge	Stripping length	
no groove	0.14-0.37 mm ²	AWG 26-22	7.5 mm
no groove	0.5 mm ²	AWG 20	7.5 mm
1 no groove	0.75 mm ²	AWG 18	7.5 mm
1 no groove	1 mm ²	AWG 18	7.5 mm
2 no grooves	1.5 mm ²	AWG 16	7.5 mm
3 no grooves	2.5 mm ²	AWG 14	7.5 mm
wide groove	3 mm ²	AWG 12	7.5 mm
no groove	4 mm ²	AWG 12	7.5 mm

镀金 gold plated

Inserts	Product Model	Order No.	Inserts	Product Model	Order No.
Male	EGM-0.37	1 007 06 0000028	Female	EGF-0.37	1 007 07 0000028
	EGM-0.5	1 007 06 0000029		EGF-0.5	1 007 07 0000029
	EGM-0.75	1 007 06 0000030		EGF-0.75	1 007 07 0000030
	EGM-1.0	1 007 06 0000031		EGF-1.0	1 007 07 0000031
	EGM-1.5	1 007 06 0000032		EGF-1.5	1 007 07 0000032
	EGM-2.5	1 007 06 0000033		EGF-2.5	1 007 07 0000033
	EGM-4.0	1 007 06 0000034		EGF-4.0	1 007 07 0000034



HQ-007, HQ-012系列技术特性

HQ-007, HQ-012 technical Characteristics

插芯 Inserts 可与框架及其他所有模块产品组合使用 Combination with hinged frame and other modules possible.

技术参数 Technical Characteristics

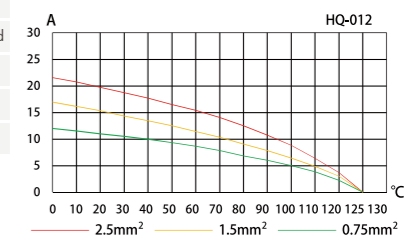
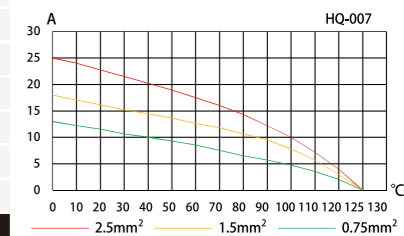
规范	Specifications	DIN EN 60 664 / DIN EN 61 984
插芯	Inserts	
接插件针数	Number Of Contacts	7+PE, 12+PE
额定电流	Rated current	10A
额定电压	Rated voltage	400V
额定脉冲电压	Rated impulse voltage	6KV
污染等级	Pollution Degree	3
污染等级2时	Pollution Degree 2	10A 400/690V 6KV
绝缘电阻	Insulation Resistance	≥10 ¹⁰ Ω
材料	Material	聚碳酸酯 Polycarbonate
工作温度范围	Limiting Temperatures	-40℃...+125℃
依据UL 94的阻燃等级	Flammability Acc. To UI94	V0
据UL/CSA额定电压	Rated voltage acc.to UL/CSA	600V
可拔插次数	Mechanical Working Life-mating Cycles	≥500
插针	Contacts	
材料	Material	铜合金 Copper Alloy
表面处理	Surface	镀银/镀金 Hard silver-plated Hard gold-plated
接触电阻	Contact Resistance	≤3mΩ
接线形式	Terminal	冷压连接 Crimp terminal
导线规格	Wire gauge	0.14-2.5mm ² AWG 26-14

电流负载能力

Current Carrying Capacity

电流负载能力所受的限制主要来自包含接插针的接插体可承受的最大温度。测试和控制过程依据 IEC 60512-3。

The current carrying is limited by maximum temperature of materials for Inserts and contacts including terminals. Measuring and testing techniques according to IEC 60512-3.



接插芯件
Contact inserts



→ HQ-007-MC/FC

400V/10A Size 3A 7+ ⊕

匹配 H3A 外壳系列,参见P121-123 For H3A,Hood/Housing Please Refer Page No. P121-123

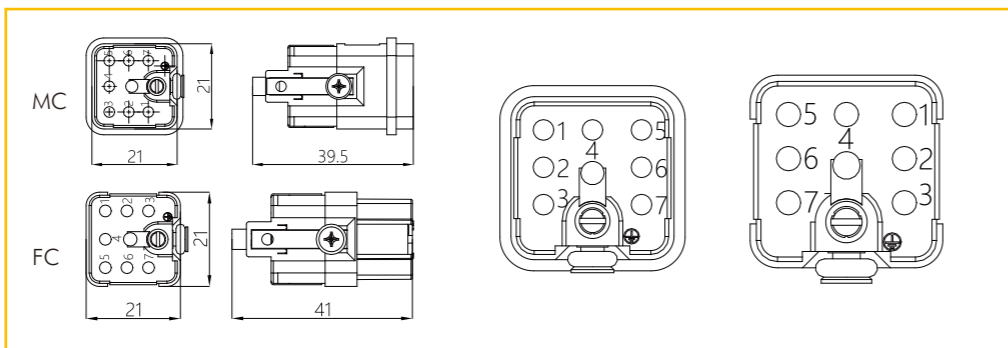
Identification	Product Model	Order No.	Product Model	Order No.
----------------	---------------	-----------	---------------	-----------

冷压连接/Crimp termination

HQ-007-MC	1 007 03 0000107	HQ-007-FC	1 007 03 0000108
-----------	------------------	-----------	------------------



Dimensions mm



附件 Accessories

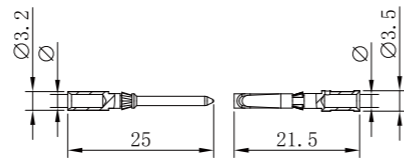
接触电阻 ≤ 3 mΩ / Contact resistance ≤ 3mΩ

镀银 silver plated

10A冷压针孔



Inserts	Product Model	Order No.	Inserts	Product Model	Order No.
Male	DSM-0.37	1 007 06 0000009	Female	DSF-0.37	1 007 07 0000009
	DSM-0.5	1 007 06 0000010		DSF-0.5	1 007 07 0000010
	DSM-0.75	1 007 06 0000011		DSF-0.75	1 007 07 0000011
	DSM-1.0	1 007 06 0000012		DSF-1.0	1 007 07 0000012
	DSM-1.5	1 007 06 0000013		DSF-1.5	1 007 07 0000013
	DSM-2.5	1 007 06 0000014		DSF-2.5	1 007 07 0000014



Wire gauge		φ	Stripping length
0.09-0.25 mm ²	AWG 28-24	0.65 mm	5 mm
0.14-0.37 mm ²	AWG 26-22	0.9 mm	8 mm
0.5 mm ²	AWG 20	1.1 mm	8 mm
0.75 mm ²	AWG 18	1.3 mm	8 mm
1 mm ²	AWG 18	1.45 mm	8 mm
1.5 mm ²	AWG 16	1.75 mm	8 mm
2.5 mm ²	AWG 14	2.25 mm	6 mm

镀金 gold plated



Inserts	Product Model	Order No.	Inserts	Product Model	Order No.
Male	DGM-0.37	1 007 06 0000015	Female	DGF-0.37	1 007 07 0000015
	DGM-0.5	1 007 06 0000016		DGF-0.5	1 007 07 0000016
	DGM-0.75	1 007 06 0000017		DGF-0.75	1 007 07 0000017
	DGM-1.0	1 007 06 0000018		DGF-1.0	1 007 07 0000018
	DGM-1.5	1 007 06 0000019		DGF-1.5	1 007 07 0000019
	DGM-2.5	1 007 06 0000020		DGF-2.5	1 007 07 0000020

接插芯件
Contact inserts



→ HQ-012-MC/FC

400V/10A Size 3A 12+ ⊕

匹配 H3A 外壳系列,参见P121-123 For H3A,Hood/Housing Please Refer Page No. P121-123

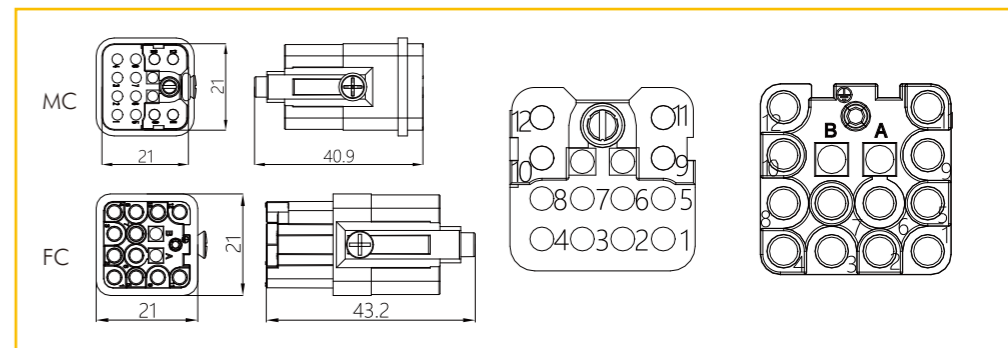
Identification	Product Model	Order No.	Product Model	Order No.
----------------	---------------	-----------	---------------	-----------

冷压连接/Crimp termination

HQ-012-MC	1 007 03 0000109	HQ-012-FC	1 007 03 0000110
-----------	------------------	-----------	------------------



Dimensions mm



附件 Accessories

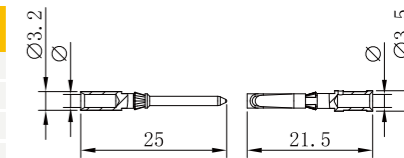
接触电阻 ≤ 3 mΩ / Contact resistance ≤ 3mΩ

镀银 silver plated

10A冷压针孔



Inserts	Product Model	Order No.	Inserts	Product Model	Order No.
Male	DSM-0.37	1 007 06 0000009	Female	DSF-0.37	1 007 07 0000009
	DSM-0.5	1 007 06 0000010		DSF-0.5	1 007 07 0000010
	DSM-0.75	1 007 06 0000011		DSF-0.75	1 007 07 0000011
	DSM-1.0	1 007 06 0000012		DSF-1.0	1 007 07 0000012
	DSM-1.5	1 007 06 0000013		DSF-1.5	1 007 07 0000013
	DSM-2.5	1 007 06 0000014		DSF-2.5	1 007 07 0000014



Wire gauge		φ	Stripping length
0.09-0.25 mm ²	AWG 28-24	0.65 mm	5 mm
0.14-0.37 mm ²	AWG 26-22	0.9 mm	8 mm
0.5 mm ²	AWG 20	1.1 mm	8 mm
0.75 mm ²	AWG 18	1.3 mm	8 mm
1 mm ²	AWG 18	1.45 mm	8 mm
1.5 mm ²	AWG 16	1.75 mm	8 mm
2.5 mm ²	AWG 14	2.25 mm	6 mm

镀金 gold plated



Inserts	Product Model	Order No.	Inserts	Product Model	Order No.
Male	DGM-0.37	1 007 06 0000015	Female	DGF-0.37	1 007 07 0000015
	DGM-0.5	1 007 06 0000016		DGF-0.5	1 007 07 0000016
	DGM-0.75	1 007 06 0000017		DGF-0.75	1 007 07 0000017
	DGM-1.0	1 007 06 0000018		DGF-1.0	1 007 07 0000018
	DGM-1.5	1 007 06 0000019		DGF-1.5	1 007 07 0000019
	DGM-2.5	1 007 06 0000020		DGF-2.5	1 007 07 0000020

插芯 Inserts 可与框架及其他所有模块产品组合使用 Combination with hinged frame and other modules possible.

技术参数 Technical Characteristics

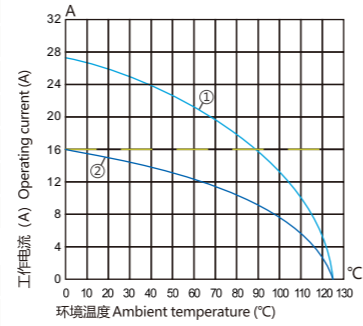
规范	Specifications	DIN EN 60 664 / DIN EN 61 984
插芯	Inserts	
接插件针数	Number Of Contacts	8+PE
额定电流	Rated current	16A
额定电压	Rated voltage	500V
额定脉冲电压	Rated impulse voltage	6KV
污染等级	Pollution Degree	3
污染等级2时	Pollution Degree 2	16A 400/690V 6KV
绝缘电阻	Insulation Resistance	$\geq 10^9 \Omega$
材料	Material	聚碳酸酯 Polycarbonate
工作温度范围	Limiting Temperatures	-40°C...+125°C
依据UL 94的阻燃等级	Flammability Acc. To UL94	V0
据UL/CSA额定电压	Rated voltage acc.to UL/CSA	600V
可拔插次数	Mechanical Working Life-mating Cycles	≥ 500
插针	Contacts	
材料	Material	铜合金 Copper Alloy
表面处理	Surface	镀银/镀金 Hard silver-plated Hard gold-plated
接触电阻	Contact Resistance	$\leq 1m\Omega$
接线形式	Terminal	冷压连接 Crimp terminal
导线规格	Wire gauge	0.14-4.0mm ² AWG 26-12

电流负载能力
Current Carrying Capacity

电流负载能力所受的限制主要来自包含接插针的接插体可承受的最大温度。

测试和控制过程依据 DIN EN 60512-3。

The current carrying is limited by maximum temperature of materials for Inserts and contacts including terminals. Measuring and testing techniques according to DIN EN 60512-3.



①24B外壳带6个模块，导线截面：2.5mm²

②24B外壳带6个模块，导线截面：1.5mm²

① 24 B hoods/housings with 6 modules, wire gauge: 2.5mm²

② 24 B hoods/housings with 6 modules, wire gauge: 1.5mm²

接插芯件

Contact inserts

→ HQ-8+ ⊕

500V/16A Size HC 8+ ⊕

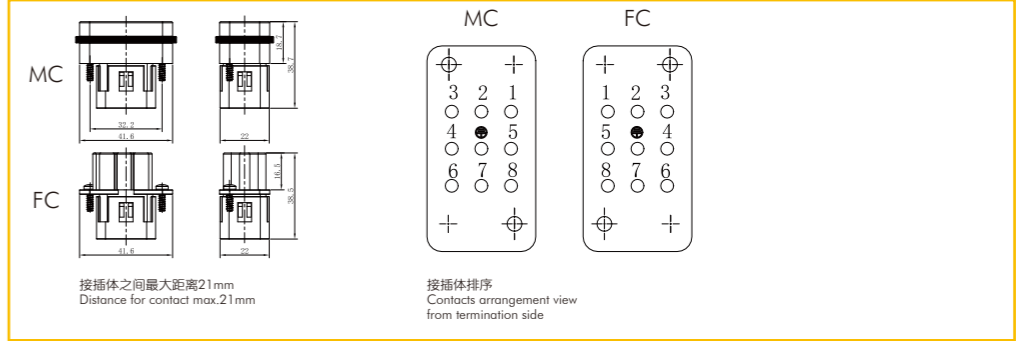
匹配 HC 外壳系列,参见P166 For HC,Hood/Housing Please Refer Page No. P166

Identification	Product Model	Order No.	Product Model	Order No.
----------------	---------------	-----------	---------------	-----------

冷压连接/Crimp termination

HQ-008-MC	1 007 03 0000135	HQ-008-FC	1 007 03 0000136
-----------	------------------	-----------	------------------

Dimensions mm



附件 Accessories

接触电阻 $\leq 1m\Omega$ / Contact resistance $\leq 1m\Omega$

镀银 silver plated

16A冷压针孔

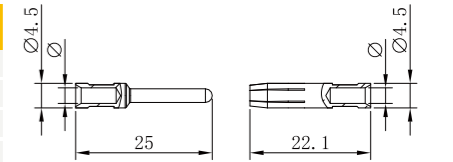


Inserts	Product Model	Order No.	Inserts	Product Model	Order No.
Male	ESM-0.37	1 007 06 0000021	Female	ESF-0.37	1 007 07 0000021
	ESM-0.5	1 007 06 0000022		ESF-0.5	1 007 07 0000022
	ESM-0.75	1 007 06 0000023		ESF-0.75	1 007 07 0000023
	ESM-1.0	1 007 06 0000024		ESF-1.0	1 007 07 0000024
	ESM-1.5	1 007 06 0000025		ESF-1.5	1 007 07 0000025
	ESM-2.5	1 007 06 0000026		ESF-2.5	1 007 07 0000026
ESM-4.0	1 007 06 0000027	ESF-4.0	1 007 07 0000027		

镀金 gold plated



Inserts	Product Model	Order No.	Inserts	Product Model	Order No.
Male	EGM-0.37	1 007 06 0000028	Female	EGF-0.37	1 007 07 0000028
	EGM-0.5	1 007 06 0000029		EGF-0.5	1 007 07 0000029
	EGM-0.75	1 007 06 0000030		EGF-0.75	1 007 07 0000030
	EGM-1.0	1 007 06 0000031		EGF-1.0	1 007 07 0000031
	EGM-1.5	1 007 06 0000032		EGF-1.5	1 007 07 0000032
	EGM-2.5	1 007 06 0000033		EGF-2.5	1 007 07 0000033
EGM-4.0	1 007 06 0000034	EGF-4.0	1 007 07 0000034		



Marking	Wire gauge	Stripping length
no groove	0.14-0.37 mm ²	AWG 26-22 7.5 mm
no groove	0.5 mm ²	AWG 20 7.5 mm
1 no groove	0.75 mm ²	AWG 18 7.5 mm
1 no groove	1 mm ²	AWG 18 7.5 mm
2 no grooves	1.5 mm ²	AWG 16 7.5 mm
3 no grooves	2.5 mm ²	AWG 14 7.5 mm
wide groove	3 mm ²	AWG 12 7.5 mm
no groove	4 mm ²	AWG 12 7.5 mm

插芯 Inserts 可与框架及其他所有模块产品组合使用 Combination with hinged frame and other modules possible.

技术参数 Technical Characteristics

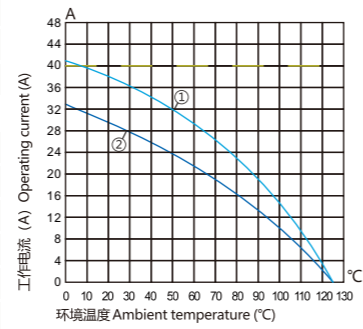
规范	Specifications	DIN EN 60 664 / DIN EN 61 984
插芯	Inserts	
接插件针数	Number Of Contacts	4/2+PE
依据 EN 61 984的电气数据	Electrical Data Acc. To EN 61 984	
电力区	Power Contacts	
额定电流	Rated Current	40A
相对地额定电压	Rated voltage to ground	400V
相间额定电压	Rated voltage between phases	690V
额定脉冲电压	Rated Impulse Voltage	6KV
污染程度	Pollution Degree	3
信号区	Signal Contacts	
额定电流	Rated Current	10A
额定电压	Rated Voltage	250V
额定脉冲电压	Rated Impulse Voltage	4KV
污染程度	Pollution Degree	3
绝缘电阻	Insulation Resistance	$\geq 10^{10}\Omega$
材料	Material	聚碳酸酯 Polycarbonate
工作温度范围	Limiting Temperatures	-40℃...+125℃
依据UL 94的阻燃等级	Flammability Acc. To UI94	V0
据UL/CSA额定电压	Rated voltage acc.to UL/CSA	600/250V
可拔插次数	Mechanical Working Life-mating Cycles	≥ 500
插针	Contacts	
材料	Material	铜合金 Copper Alloy
表面处理	Surface	镀银 Hard-silver Plated
接触电阻	Contact Resistance	
电力区	Power Contacts	$\leq 1\text{m}\Omega$
信号区	Signal Contacts	$\leq 3\text{m}\Omega$
冷压连接	Crimp Terminal	
mm ²	mm ²	
电力区	Power Contacts	1.5-6mm ²
信号区	Signal Contacts	0.14-2.5mm ²
AWG	AWG	
电力区	Power Contacts	16-10
信号区	Signal Contacts	26-14
最大电缆直径	Max. insulation diameter	
电力区	Power Contacts	5mm

电流负载能力
Current Carrying Capacity

电流负载能力所受的限制主要来自包含接插针的接插体可承受的最大温度。

测试和控制过程依据 DIN EN 60512-3。

The current carrying is limited by maximum temperature of materials for Inserts and contacts including terminals. Measuring and testing techniques according to DIN EN 60512-3.



①24B外壳带6个模块，导线截面：4mm²
②24B外壳带6个模块，导线截面：2.5mm²

① 24 B hoods/housings with 6 modules, wire gauge: 4mm²
② 24 B hoods/housings with 6 modules, wire gauge: 2.5mm²

→ HQ-4/2+ ⊕

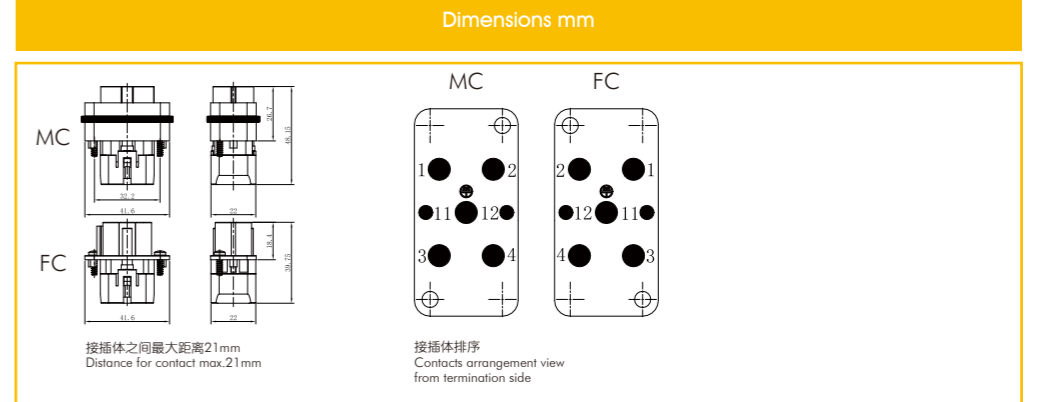
400/690V, 40/10A Size HC 4/2+ ⊕

匹配 HC 外壳系列,参见P166 For HC,Hood/Housing Please Refer Page No. P166

Identification	Product Model	Order No.	Product Model	Order No.
----------------	---------------	-----------	---------------	-----------

冷压连接/Crimp termination

HQ-4/2-MC	1 007 03 0000133	HQ-4/2-FC	1 007 03 0000134
-----------	------------------	-----------	------------------



附件 Accessories

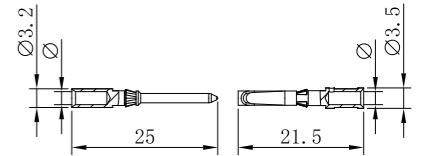
接触电阻 $\leq 3\text{m}\Omega$ / Contact resistance $\leq 3\text{m}\Omega$

镀银 silver plated

10A冷压针孔



Inserts	Product Model	Order No.	Inserts	Product Model	Order No.
Male	DSM-0.37	1 007 06 0000009	Female	DSF-0.37	1 007 07 0000009
	DSM-0.5	1 007 06 0000010		DSF-0.5	1 007 07 0000010
	DSM-0.75	1 007 06 0000011		DSF-0.75	1 007 07 0000011
	DSM-1.0	1 007 06 0000012		DSF-1.0	1 007 07 0000012
	DSM-1.5	1 007 06 0000013		DSF-1.5	1 007 07 0000013
	DSM-2.5	1 007 06 0000014		DSF-2.5	1 007 07 0000014



Wire gauge	φ	Stripping length
0.09-0.25 mm ²	AWG 28-24	0.65 mm
0.14-0.37 mm ²	AWG 26-22	0.9 mm
0.5 mm ²	AWG 20	1.1 mm
0.75 mm ²	AWG 18	1.3 mm
1 mm ²	AWG 18	1.45 mm
1.5 mm ²	AWG 16	1.75 mm
2.5 mm ²	AWG 14	2.25 mm

镀金 gold plated

Inserts	Product Model	Order No.	Inserts	Product Model	Order No.
Male	DGM-0.37	1 007 06 0000015	Female	DGF-0.37	1 007 07 0000015
	DGM-0.5	1 007 06 0000016		DGF-0.5	1 007 07 0000016
	DGM-0.75	1 007 06 0000017		DGF-0.75	1 007 07 0000017
	DGM-1.0	1 007 06 0000018		DGF-1.0	1 007 07 0000018
	DGM-1.5	1 007 06 0000019		DGF-1.5	1 007 07 0000019
	DGM-2.5	1 007 06 0000020		DGF-2.5	1 007 07 0000020

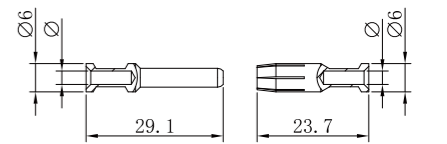
接触电阻 $\leq 1\text{m}\Omega$ / Contact resistance $\leq 1\text{m}\Omega$

镀银 silver plated

40A冷压针孔



Inserts	Product Model	Order No.	Inserts	Product Model	Order No.
Male	CSM40-1.5	1 007 06 0000035	Female	CSF40-1.5	1 007 07 0000035
	CSM40-2.5	1 007 06 0000036		CSF40-2.5	1 007 07 0000036
	CSM40-4.0	1 007 06 0000037		CSF40-4.0	1 007 07 0000037
	CSM40-6.0	1 007 06 0000038		CSF40-6.0	1 007 07 0000038
	CSM40-10.0	1 007 06 0000039		CSF40-10.0	1 007 07 0000039



Wire gauge	φ	Stripping length
1.5 mm ²	AWG 16	1.75 mm
2.5 mm ²	AWG 14	2.25 mm
4 mm ²	AWG 12	2.85 mm
6 mm ²	AWG 10	3.5 mm
10 mm ²	AWG 8	4.3 mm

Inserts	Product Model	Order No.	Inserts	Product Model	Order No.
Male	CGM40-1.5	1 007 06 0000040	Female	CGF40-1.5	1 007 07 0000040
	CGM40-2.5	1 007 06 0000041		CGF40-2.5	1 007 07 0000041
	CGM40-4.0	1 007 06 0000042		CGF40-4.0	1 007 07 0000042
	CGM40-6.0	1 007 06 0000043		CGF40-6.0	1 007 07 0000043
	CGM40-10	1 007 06 0000044		CGF40-10	1 007 07 0000044

剥线长度A=15 mm 用于电缆 $\geq 5\text{mm}$
剥线长度A=18 mm 用于电缆 $\geq 6.4\text{mm}$
Stripping length A=15 mm for cables $\geq 5\text{mm}$
Stripping length A=18 mm for cables $\geq 6.4\text{mm}$

HQ-21系列技术特性

HQ-21 technical Characteristics



插芯 Inserts 可与框架及其他所有模块产品组合使用 Combination with hinged frame and other modules possible.

技术参数 Technical Characteristics

规范	Specifications	DIN EN 60 664 / DIN EN 61 984
插芯	Inserts	
接插件针数	Number Of Contacts	21+PE
额定电流	Rated Current	6.5 A
额定电压	Rated voltage	50 V
额定脉冲电压	Rated Impulse Voltage	0.8KV
污染程度	Pollution Degree	3
交流额定电压	AC rated voltage	50 V
直流额定电压	DC rated voltage	120 V
绝缘电阻	Insulation Resistance	$\geq 10^{10}\Omega$
材料	Material	聚碳酸酯 Polycarbonate
工作温度范围	Limiting Temperatures	-40°C...+125°C
依据UL 94的阻燃等级	Flammability Acc. To UI94	V0
据UL/CSA额定电压	Rated voltage acc.to UL/CSA	600 V
可拔插次数	Mechanical Working Life-mating Cycles	≥ 500
插针	Contacts	
材料	Material	铜合金 Copper Alloy
表面处理	Surface	镀银/镀金 Hard silver-plated Hard gold-plated
接触电阻	Contact Resistance	$\leq 3\text{ m}\Omega$
接线形式	Terminal	冷压连接 Crimp terminal
导线规格	Wire gauge	0.09-0.52mm ² AWG 28-20

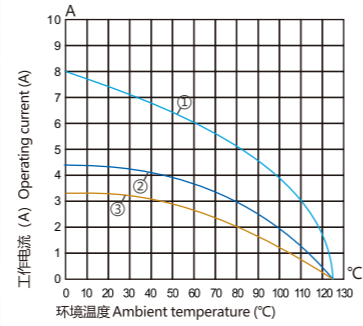
电流负载能力

Current Carrying Capacity

电流负载能力所受的限制主要来自包含接插针的接插体可承受的最大温度。

测试和控制过程依据 DIN EN 60512-3。

The current carrying is limited by maximum temperature of materials for Inserts and contacts including terminals. Measuring and testing techniques according to DIN EN 60512-3.



- ① 24B外壳带6个模块，导线截面：0.5mm²
- ② 24B外壳带6个模块，导线截面：0.25mm²
- ③ 24B外壳带6个模块，导线截面：0.14mm²

- ① 24 B hoods/housings with 6 modules, wire gauge: 0.5mm²
- ② 24 B hoods/housings with 6 modules, wire gauge: 0.25mm²
- ③ 24 B hoods/housings with 6 modules, wire gauge: 0.14mm²

接插芯件

Contact inserts



→ HQ-21 + ⊕

50V/6.5A Size 3A 21+ ⊕

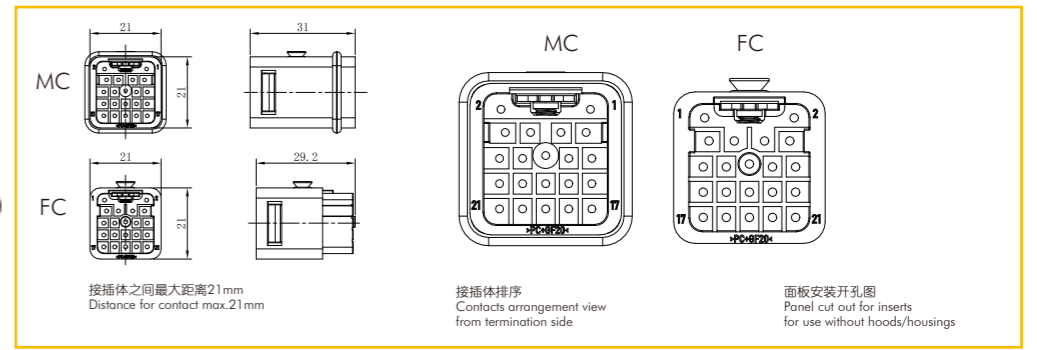
匹配 H3A 外壳系列,参见P121-123 For H3A,Hood/Housing Please Refer Page No. P121-123

Identification	Product Model	Order No.	Product Model	Order No.
----------------	---------------	-----------	---------------	-----------

冷压连接/Crimp termination

HQ-021-MC	1 007 03 0000139	HQ-021-FC	1 007 03 0000140
-----------	------------------	-----------	------------------

Dimensions mm



附件 Accessories

接触电阻 $\leq 3\text{ m}\Omega$ / Contact resistance $\leq 3\text{ m}\Omega$

镀银 silver plated

5A冷压针孔

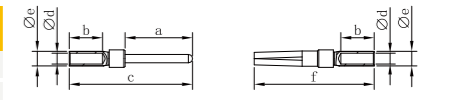


Inserts	Product Model	Order No.	Inserts	Product Model	Order No.
Male	SSM-0.25	1 007 06 0000001	Female	SSF-0.25	1 007 07 0000001
	SSM-0.33	1 007 06 0000002		SSF-0.33	1 007 07 0000002
	SSM-0.52	1 007 06 0000003		SSF-0.52	1 007 07 0000003
	SSM-0.82	1 007 06 0000004		SSF-0.82	1 007 07 0000004

镀金 gold plated



Inserts	Product Model	Order No.	Inserts	Product Model	Order No.
Male	SGM-0.25	1 007 06 0000005	Female	SGF-0.25	1 007 07 0000005
	SGM-0.33	1 007 06 0000006		SGF-0.33	1 007 07 0000006
	SGM-0.52	1 007 06 0000007		SGF-0.52	1 007 07 0000007
	SGM-0.82	1 007 06 0000008		SGF-0.82	1 007 07 0000008



a	b	c	d	e	f
8.10	4.0	14.8	0.64	1.66	14.4
8.10	4.0	14.8	0.90	1.66	14.4
8.10	4.0	14.8	1.12	1.66	14.4
8.23	4.2	14.0	1.35	1.75	13.6

Wire gauge	Stripping length
0.09-0.25 mm ²	AWG 28-24
0.13-0.33 mm ²	AWG 26-22
0.33-0.52 mm ²	AWG 20-20
0.52-0.82 mm ²	AWG 22-18

外壳
Housings

BEISIT®

SIZE 3A塑料外壳 Size 3A Plastic Hoods/Housings

材料	Material	聚碳酸酯 Polycarbonate
颜色	Colour	灰白 Light grey(RAL 7032)
联锁元件	Locking element	
连锁方式	Lever type	扣子, 塑料 Lever, Plastic
材料	Material	聚酰胺 polyamide
密封元件	Hoods/Housings sealing	NBR
适用温度范围	Limiting temperatures	-40 C...+125 C
防护等级(连锁状态, IEC 60529)	Degree of protection acc.to IEC 60529 for coupled connector	IP65
阻燃等级 (UL94)	Flame retardant acc.to UL94	V0

标准金属外壳 Standard Hoods/Housings

材料	Material	压铸铝合金 Aluminium die-cast
颜色	Colour	灰白 Light grey(RAL 7032)
联锁元件	Locking element	
连锁方式	Lever type	扣子, 金属 Lever, Metal
材料	Material	铁镀锌或不锈钢 Galvanized iron or Stainless copper
密封元件	Hoods/Housings sealing	NBR
适用温度范围	Limiting temperatures	-40 C...+125 C
防护等级(连锁状态, IEC 60529)	Degree of protection acc.to IEC 60529 for coupled connector	IP65
阻燃等级 (UL94)	Flame retardant acc.to UL94	V0

高防护等级外壳 Hoods/Housings, pressure tight

材料	Material	耐腐蚀铸铝合金 Aluminium die-cast, Aorrosion resistant
颜色	Colour	黑色或灰色 Black or Grey(RAL9005Vor 7037)
联锁元件	Locking element	
连锁方式	Lever type	螺栓连接 Screw locking
材料	Material	不锈钢 Stainless steel
密封元件	Hoods/Housings sealing	NBR
适用温度范围	Limiting temperatures	-40 C...+125 C
防护等级(连锁状态, IEC 60529)	Degree of protection acc.to IEC 60529 for coupled connector	IP68
阻燃等级 (UL94)	Flame retardant acc.to UL94	V0

外壳
Housing

→ Size 3A

IP65

BEISIT®

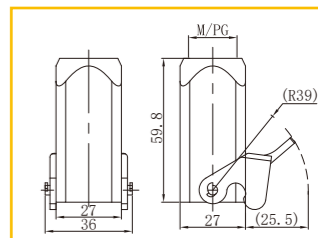
材料 Material: 塑料外壳 Plastic hoods

Identification	Thread	Product Model	Order No.	Dimensions mm
----------------	--------	---------------	-----------	---------------

外壳 中继/Housings,cable to cable



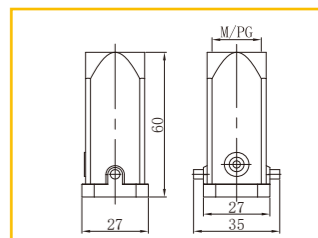
M20	H3AP-CTC-1LP-M20	1 007 01 0000001
PG11	H3AP-CTC-1LP-PG11	1 007 01 0000002



上壳 顶出线/Hoods,top entry



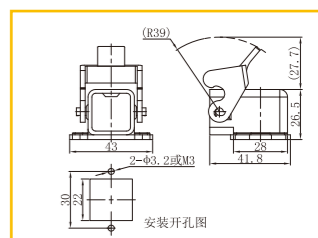
M20	H3AP-TO-2P-M20	1 007 01 0000003
PG11	H3AP-TO-2P-PG11	1 007 01 0000004



下壳 不封底/Bulkhead mounted housings



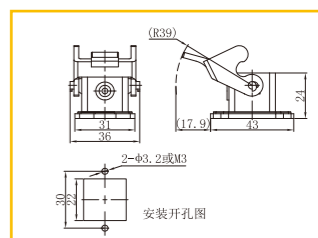
H3AP-OMS-1LP	1 007 01 0000005
--------------	------------------



下壳 不封底/Bulkhead mounted housings



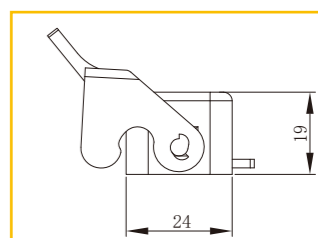
H3AP-OM-1LP	1 007 01 0000006
-------------	------------------



防护盖/Protection covers



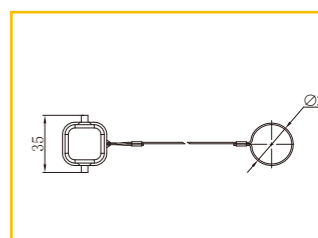
H3AP-PC-1LP-N	1 007 02 0000001
H3AP-PC-1LP-NG	1 007 02 0000002
H3AP-PC-1LP-M	1 007 02 0000003



防护盖/Protection covers



H3AP-PC-2P	1 007 02 0000004
H3AP-PC-2P-N	1 007 02 0000005
H3AP-PC-2P-NT	1 007 02 0000006
H3AP-PC-2P-NG	1 007 02 0000007
H3AP-PC-2P-M	1 007 02 0000008
H3AP-PC-2P-MT	1 007 02 0000009



外壳
Housing

→ Size 3A

IP65

BEISIT®

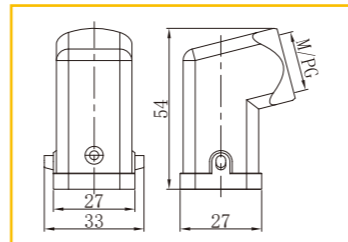
材料 Material: 金属外壳 Metal hoods

Identification	Thread	Product Model	Order No.	Dimensions mm
----------------	--------	---------------	-----------	---------------

上壳 侧出线/Hoods,side entry



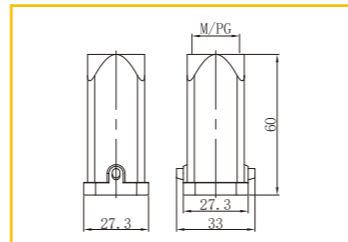
M20	H3A-SO-2P-M20	1 007 01 000007
PG11	H3A-SO-2P-PG11	1 007 01 000008
PG13.5	H3A-SO-2P-PG13.5	1 007 01 000009



上壳 顶出线/Hoods,top entry



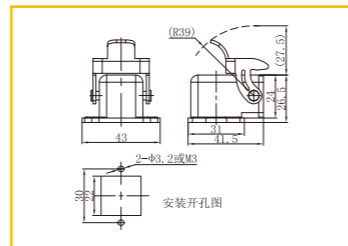
M20	H3A-TO-2P-M20	1 007 01 000010
PG11	H3A-TO-2P-PG11	1 007 01 000011
PG13.5	H3A-TO-2P-PG13.5	1 007 01 000012



下壳 不封底/Bulkhead mounted housings



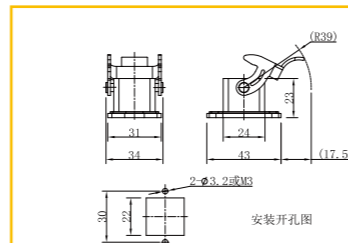
H3A-OMS-1L	1 007 01 000013
------------	-----------------



下壳 不封底/Bulkhead mounted housings



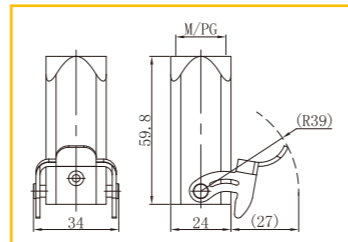
H3A-OM-1L	1 007 01 000014
-----------	-----------------



外壳 中继/Housings,cable to cable



M20	H3A-CTC-1L-M20	1 007 01 000015
PG11	H3A-CTC-1L-PG11	1 007 01 000016
PG13.5	H3A-CTC-1L-PG13.5	1 007 01 000017

外壳
Housing

→ Size 3A

IP65

BEISIT®

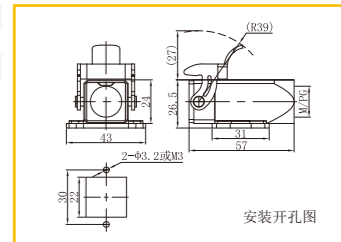
材料 Material: 金属外壳 Metal hoods

Identification	Thread	Product Model	Order No.	Dimensions mm
----------------	--------	---------------	-----------	---------------

下壳 封底/Housings



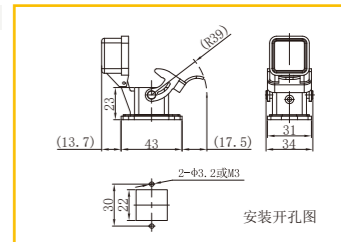
M20	H3A-SMS-1L-M20	1 007 01 000018
PG11	H3A-SMS-1L-PG11	1 007 01 000019
PG13.5	H3A-SMS-1L-PG13.5	1 007 01 000020



下壳 不封底/Bulkhead mounted housings



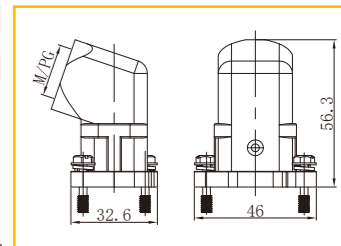
H3A-OM-1L-MCG	1 007 01 000021
---------------	-----------------



上壳 侧出线/Hoods,side entry



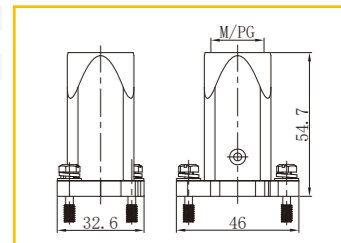
M20	H3AB-SO-2B-M20	1 007 01 000022
M25	H3AB-SO-2B-M25	1 007 01 000023
PG11	H3AB-SO-2B-PG11	1 007 01 000024
PG13.5	H3AB-SO-2B-PG13.5	1 007 01 000025



上壳 顶出线/Hoods,top entry



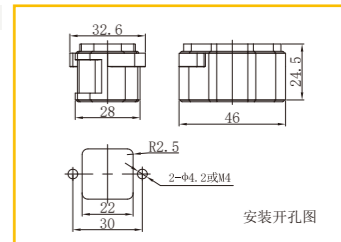
M20	H3AB-TO-2B-M20	1 007 01 000026
M25	H3AB-TO-2B-M25	1 007 01 000027
PG11	H3AB-TO-2B-PG11	1 007 01 000028
PG13.5	H3AB-TO-2B-PG13.5	1 007 01 000029



下壳 不封底/Bulkhead mounted housings



H3AB-OM-2BH	1 007 01 000030
-------------	-----------------



外壳

Housing

→ Size 10A

IP65

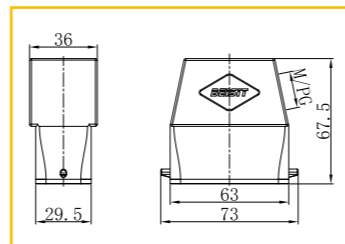
材料 Material: 金属外壳 Metal hoods

Identification	Thread	Product Model	Order No.	Dimensions mm
----------------	--------	---------------	-----------	---------------

上壳 侧出线/Hoods,side entry



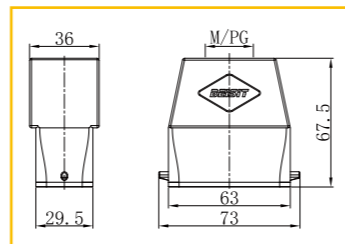
M20	H10A-SO-2P-M20	1 007 01 0000031
M25	H10A-SO-2P-M25	1 007 01 0000032
PG16	H10A-SO-2P-PG16	1 007 01 0000033
PG21	H10A-SO-2P-PG21	1 007 01 0000034



上壳 顶出线/Hoods,top entry



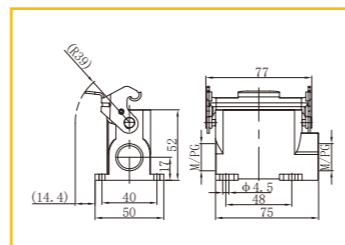
M20	H10A-TO-2P-M20	1 007 01 0000035
M25	H10A-TO-2P-M25	1 007 01 0000036
PG16	H10A-TO-2P-PG16	1 007 01 0000037
PG21	H10A-TO-2P-PG21	1 007 01 0000038



下壳 封底/Housings



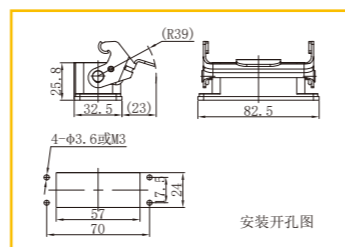
M20	H10A-SM-1L-M20	1 007 01 0000039
2M20	H10A-SM-1L-2M20	1 007 01 0000040
M25	H10A-SM-1L-M25	1 007 01 0000041
2M25	H10A-SM-1L-2M25	1 007 01 0000042
PG16	H10A-SM-1L-PG16	1 007 01 0000043
2PG16	H10A-SM-1L-2PG16	1 007 01 0000044
PG21	H10A-SM-1L-PG21	1 007 01 0000045
2PG21	H10A-SM-1L-2PG21	1 007 01 0000046



下壳 不封底/Bulkhead mounted housings



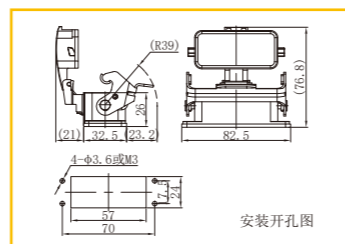
H10A-OM-1L	1 007 01 0000047
------------	------------------



下壳 不封底/Bulkhead mounted housings



H10A-OM-1L-PCG	1 007 01 0000048
----------------	------------------



外壳

Housing

→ Size 10A

IP65

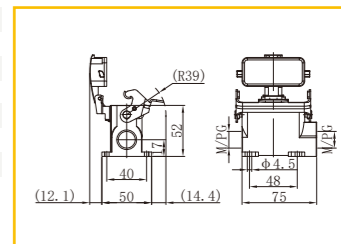
材料 Material: 金属外壳 Metal hoods

Identification	Thread	Product Model	Order No.	Dimensions mm
----------------	--------	---------------	-----------	---------------

下壳 封底/Housings



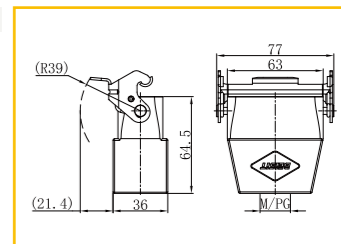
M20	H10A-SM-1L-PCG-M20	1 007 01 0000049
2M20	H10A-SM-1L-PCG-2M20	1 007 01 0000050
M25	H10A-SM-1L-PCG-M25	1 007 01 0000051
2M25	H10A-SM-1L-PCG-2M25	1 007 01 0000052
PG16	H10A-SM-1L-PCG-PG16	1 007 01 0000053
2PG16	H10A-SM-1L-PCG-2PG16	1 007 01 0000054
PG21	H10A-SM-1L-PCG-PG21	1 007 01 0000055
2PG21	H10A-SM-1L-PCG-2PG21	1 007 01 0000056



外壳 中继/Housings,cable to cable



M20	H10A-CTC-1L-M20	1 007 01 0000057
PG16	H10A-CTC-1L-PG16	1 007 01 0000058



外壳
Housing

→ Size 16A

IP65

BEISIT®

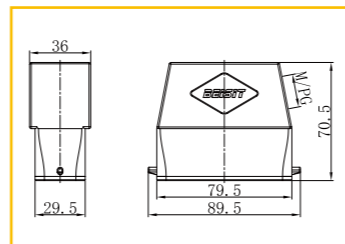
材料 Material: 金属外壳 Metal hoods

Identification	Thread	Product Model	Order No.	Dimensions mm
----------------	--------	---------------	-----------	---------------

上壳 侧出线/Hoods,side entry



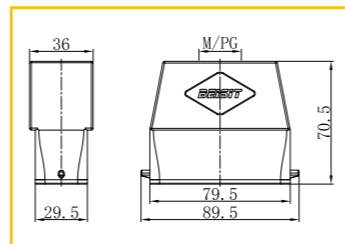
M20	H16A-SO-2P-M20	1 007 01 000059
M25	H16A-SO-2P-M25	1 007 01 000060
PG16	H16A-SO-2P-PG16	1 007 01 000061
PG21	H16A-SO-2P-PG21	1 007 01 000062



上壳 顶出线/Hoods,top entry



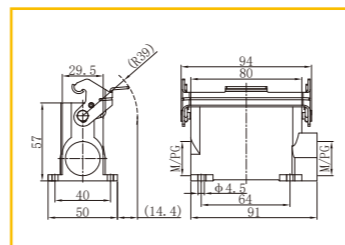
M20	H16A-TO-2P-M20	1 007 01 000063
M25	H16A-TO-2P-M25	1 007 01 000064
PG16	H16A-TO-2P-PG16	1 007 01 000065
PG21	H16A-TO-2P-PG21	1 007 01 000066



下壳 封底/Housings



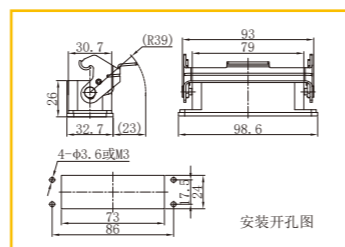
M20	H16A-SM-1L-M20	1 007 01 000067
2M20	H16A-SM-1L-2M20	1 007 01 000068
M25	H16A-SM-1L-M25	1 007 01 000069
2M25	H16A-SM-1L-2M25	1 007 01 000070
PG16	H16A-SM-1L-PG16	1 007 01 000071
2PG16	H16A-SM-1L-2PG16	1 007 01 000072
PG21	H16A-SM-1L-PG21	1 007 01 000073
2PG21	H16A-SM-1L-2PG21	1 007 01 000074



下壳 不封底/Bulkhead mounted housings



H16A-OM-1L	1 007 01 000075
------------	-----------------

外壳
Housing

→ Size 16A

IP65

BEISIT®

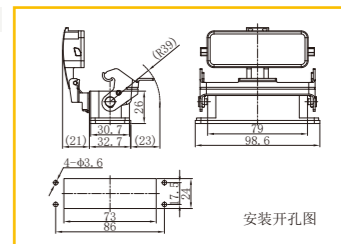
材料 Material: 金属外壳 Metal hoods

Identification	Thread	Product Model	Order No.	Dimensions mm
----------------	--------	---------------	-----------	---------------

下壳 不封底/Bulkhead mounted housings



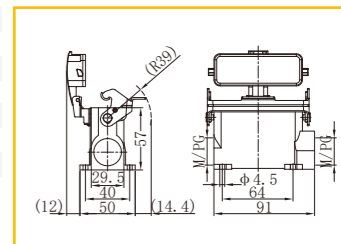
H16A-OM-1L-PCG	1 007 01 000076
----------------	-----------------



下壳 封底/Housings



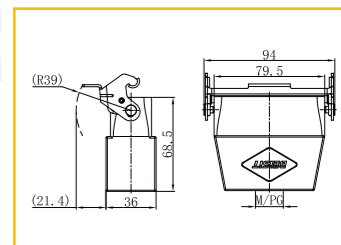
M20	H16A-SM-1L-PCG-M20	1 007 01 000077
2M20	H16A-SM-1L-PCG-2M20	1 007 01 000078
M25	H16A-SM-1L-PCG-M25	1 007 01 000079
2M25	H16A-SM-1L-PCG-2M25	1 007 01 000080
PG16	H16A-SM-1L-PCG-PG16	1 007 01 000081
2PG16	H16A-SM-1L-PCG-2PG16	1 007 01 000082
PG21	H16A-SM-1L-PCG-PG21	1 007 01 000083
2PG21	H16A-SM-1L-PCG-2PG21	1 007 01 000084



外壳 中继/Housings,cable to cable



M20	H16A-CTC-1L-M20	1 007 01 000085
M25	H16A-CTC-1L-M25	1 007 01 000086
PG16	H16A-CTC-1L-PG16	1 007 01 000087
PG21	H16A-CTC-1L-PG21	1 007 01 000088



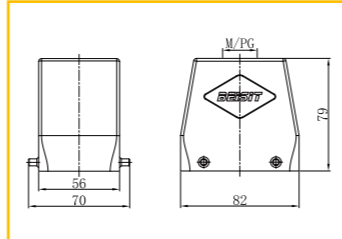

外壳
Housing

→ Size 32A

IP65

BEISIT®

材料 Material: 金属外壳 Metal hoods

Identification	Thread	Product Model	Order No.	Dimensions mm
上壳 侧出线/Hoods,side entry				
	M25	H32A-SO-4P-M25	1 007 01 000089	
	M32	H32A-SO-4P-M32	1 007 01 000090	
	M40	H32A-SO-4P-M40	1 007 01 000091	
	PG21	H32A-SO-4P-PG21	1 007 01 000093	
	PG29	H32A-SO-4P-PG29	1 007 01 000094	
上壳 顶出线/Hoods,top entry				
	M25	H32A-TO-4P-M25	1 007 01 000095	
	M32	H32A-TO-4P-M32	1 007 01 000096	
	M40	H32A-TO-4P-M40	1 007 01 000097	
	PG21	H32A-TO-4P-PG21	1 007 01 000099	
	PG29	H32A-TO-4P-PG29	1 007 01 000100	
上壳 侧出线/Hoods,side entry				
	M25	H32A-SO-2L-M25	1 007 01 0000101	
	M32	H32A-SO-2L-M32	1 007 01 0000102	
	PG21	H32A-SO-2L-PG21	1 007 01 0000103	
	PG29	H32A-SO-2L-PG29	1 007 01 0000104	
上壳 顶出线/Hoods,top entry				
	M25	H32A-TO-2L-M25	1 007 01 0000105	
	M32	H32A-TO-2L-M32	1 007 01 0000106	
	PG21	H32A-TO-2L-PG21	1 007 01 0000107	
	PG29	H32A-TO-2L-PG29	1 007 01 0000108	

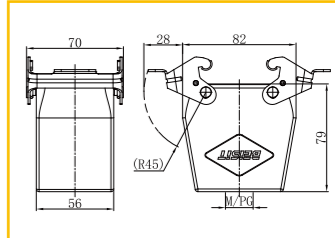


外壳
Housing

→ Size 32A

IP65

BEISIT®

材料 Material: 金属外壳 Metal hoods

Identification	Thread	Product Model	Order No.	Dimensions mm
外壳 中继/Housings,cable to cable				
	M25	H32A-CTC-2L-M25	1 007 01 0000109	
	M32	H32A-CTC-2L-M32	1 007 01 0000110	
	PG21	H32A-CTC-2L-PG21	1 007 01 0000111	
	PG29	H32A-CTC-2L-PG29	1 007 01 0000112	
下壳 不封底/Bulkhead mounted housings				
		H32A-OM-2L	1 007 01 0000113	
下壳 不封底/Bulkhead mounted housings				
		H32A-OM-4PR	1 007 01 0000114	
下壳 封底/Housings				
	M25	H32A-SM-2L-M25	1 007 01 0000115	
	2M25	H32A-SM-2L-2M25	1 007 01 0000116	
	M32	H32A-SM-2L-M32	1 007 01 0000117	
	2M32	H32A-SM-2L-2M32	1 007 01 0000118	
	PG21	H32A-SM-2L-PG21	1 007 01 0000119	
	2PG21	H32A-SM-2L-2PG21	1 007 01 0000120	
	PG29	H32A-SM-2L-PG29	1 007 01 0000121	
	2PG29	H32A-SM-2L-2PG29	1 007 01 0000122	

外壳
Housing

→ Size 6B

IP65

材料 Material: 金属外壳 Metal hoods

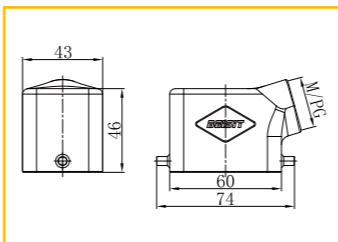
BEISIT®

Identification	Thread	Product Model	Order No.	Dimensions mm
----------------	--------	---------------	-----------	---------------

上壳 侧出线/Hoods,side entry



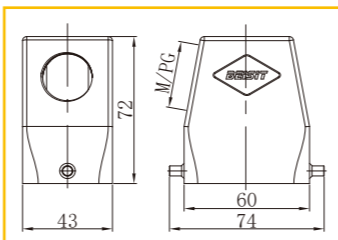
M20	H6B-SO-2P-M20	1 007 01 0000123
M25	H6B-SO-2P-M25	1 007 01 0000124
PG13.5	H6B-SO-2P-PG13.5	1 007 01 0000125
PG16	H6B-SO-2P-PG16	1 007 01 0000126



上壳高结构 侧出线/Hoods,side entry,high construction



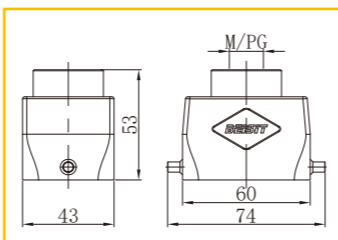
M25	H6B-SOH-2P-M25	1 007 01 0000128
M32	H6B-SOH-2P-M32	1 007 01 0000129
PG16	H6B-SOH-2P-PG16	1 007 01 0000131
PG21	H6B-SOH-2P-PG21	1 007 01 0000132
PG29	H6B-SOH-2P-PG29	1 007 01 0001099



上壳 顶出线/Hoods,top entry



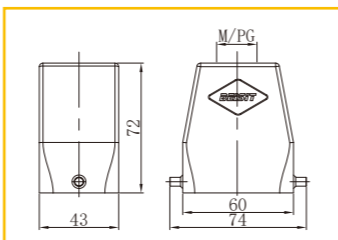
M20	H6B-TO-2P-M20	1 007 01 0000133
M25	H6B-TO-2P-M25	1 007 01 0000134
PG13.5	H6B-TO-2P-PG13.5	1 007 01 0000135
PG16	H6B-TO-2P-PG16	1 007 01 0000136



上壳高结构 顶出线/Hoods,top entry,high construction



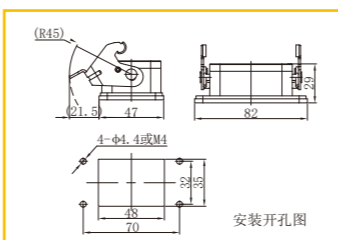
M25	H6B-TOH-2P-M25	1 007 01 0000138
M32	H6B-TOH-2P-M32	1 007 01 0000139
PG16	H6B-TOH-2P-PG16	1 007 01 0000141
PG21	H6B-TOH-2P-PG21	1 007 01 0000142
PG29	H6B-TOH-2P-PG29	1 007 01 0001100



下壳 不封底/Bulkhead mounted housings



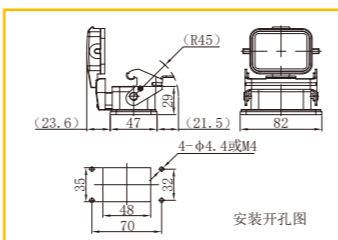
H6B-OM-1L	1 007 01 0000143
-----------	------------------



下壳 不封底/Bulkhead mounted housings



H6B-OM-1L-PC	1 007 01 0000144
--------------	------------------

外壳
Housing

→ Size 6B

IP65

材料 Material: 金属外壳 Metal hoods

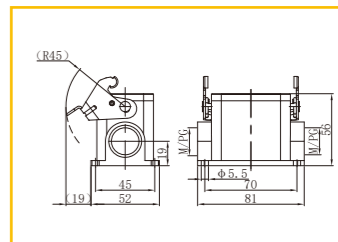
BEISIT®

Identification	Thread	Product Model	Order No.	Dimensions mm
----------------	--------	---------------	-----------	---------------

下壳 封底/Housings,surface mounting



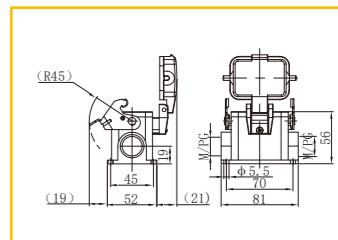
M20	H6B-SM-1L-M20	1 007 01 0000145
2M20	H6B-SM-1L-2M20	1 007 01 0000146
M25	H6B-SM-1L-M25	1 007 01 0000147
2M25	H6B-SM-1L-2M25	1 007 01 0000148
PG16	H6B-SM-1L-PG16	1 007 01 0000149
2PG16	H6B-SM-1L-2PG16	1 007 01 0000150



下壳 封底/Housings,surface mounting



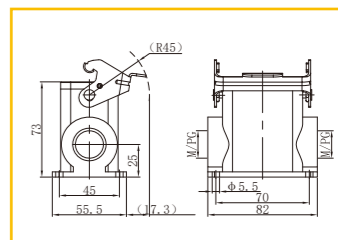
M20	H6B-SM-1L-PC-M20	1 007 01 0000151
2M20	H6B-SM-1L-PC-2M20	1 007 01 0000152
M25	H6B-SM-1L-PC-M25	1 007 01 0000153
2M25	H6B-SM-1L-PC-2M25	1 007 01 0000154
PG16	H6B-SM-1L-PC-PG16	1 007 01 0000155
2PG16	H6B-SM-1L-PC-2PG16	1 007 01 0000156



下壳 封底 高结构/Housings,surface mounting



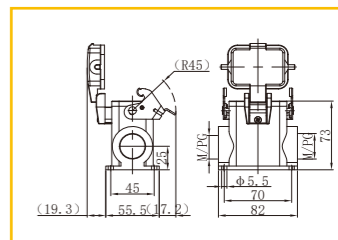
M25	H6B-SMH-1L-M25	1 007 01 0000157
2M25	H6B-SMH-1L-2M25	1 007 01 0000158
M32	H6B-SMH-1L-M32	1 007 01 0000159
2M32	H6B-SMH-1L-2M32	1 007 01 0000160
PG21	H6B-SMH-1L-PG21	1 007 01 0000161
2PG21	H6B-SMH-1L-2PG21	1 007 01 0000162



下壳 封底 高结构/Housings,surface mounting



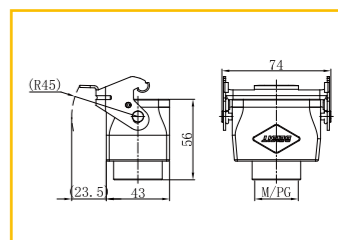
M25	H6B-SMH-1L-PC-M25	1 007 01 0000163
2M25	H6B-SMH-1L-PC-2M25	1 007 01 0000164
M32	H6B-SMH-1L-PC-M32	1 007 01 0000165
2M32	H6B-SMH-1L-PC-2M32	1 007 01 0000166
PG21	H6B-SMH-1L-PC-PG21	1 007 01 0000167
2PG21	H6B-SMH-1L-PC-2PG21	1 007 01 0000168



中继 外壳/Housings,cable to cable



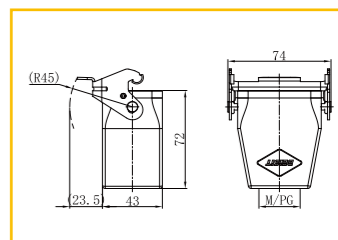
M20	H6B-CTC-1L-M20	1 007 01 0000169
M25	H6B-CTC-1L-M25	1 007 01 0000170
PG13.5	H6B-CTC-1L-PG13.5	1 007 01 0000171
PG16	H6B-CTC-1L-PG16	1 007 01 0000172



中继 外壳/Housings,cable to cable



M25	H6B-CTCH-1L-M25	1 007 01 0000174
PG16	H6B-CTCH-1L-PG16	1 007 01 0000176



外壳



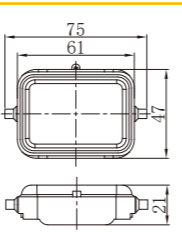









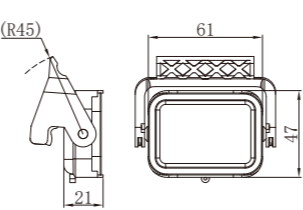





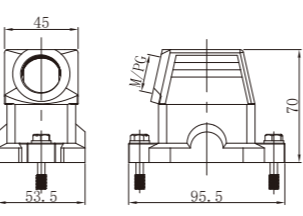

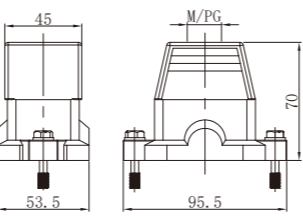

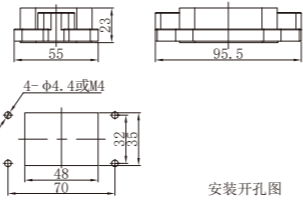
Housing

→ Size 6B

IP65

材料 Material: 金属外壳 Metal hoods

BEISIT®

Identification	Thread	Product Model	Order No.	Dimensions mm
保护盖/Protection covers				
		H6B-PC-2P-N	1 007 02 000010	
		H6B-PC-2P-NT	1 007 02 000011	
		H6B-PC-2P-NG	1 007 02 000012	
		H6B-PC-2P-NTG	1 007 02 000013	
		H6B-PC-2P-M	1 007 02 000014	
		H6B-PC-2P-MT	1 007 02 000015	
		H6B-PC-2P-MG	1 007 02 000016	
	H6B-PC-2P-MTG	1 007 02 000017		
保护盖/Protection covers				
		H6B-PC-1LP	1 007 02 000018	
		H6B-PC-1LP-N	1 007 02 000019	
		H6B-PC-1LP-NT	1 007 02 000020	
		H6B-PC-1LP-M	1 007 02 000021	
		H6B-PC-1LP-MT	1 007 02 000022	
上壳 侧出线/Hoods,side entry				
	M25	H6BB-SO-2B-M25	1 007 01 0000177	
	M32	H6BB-SO-2B-M32	1 007 01 0000178	
	PG16	H6BB-SO-2B-PG16	1 007 01 0000179	
	PG21	H6BB-SO-2B-PG21	1 007 01 0000180	
上壳 顶出线/Hoods,top entry				
	M25	H6BB-TO-2B-M25	1 007 01 0000181	
	M32	H6BB-TO-2B-M32	1 007 01 0000182	
	PG16	H6BB-TO-2B-PG16	1 007 01 0000183	
	PG21	H6BB-TO-2B-PG21	1 007 01 0000184	
下壳 不封底/Housings,bulkhead mounting				
		H6BB-OM-2BH	1 007 01 0000185	

外壳


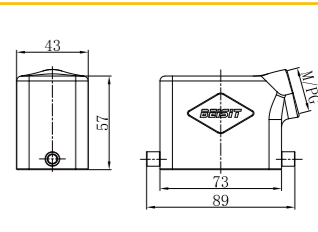

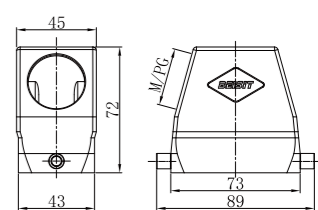

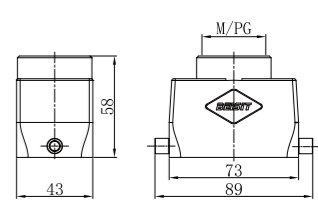

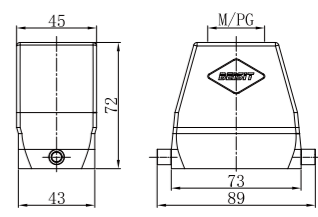

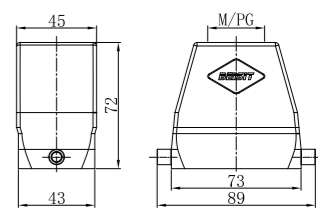
Housing

→ Size 10B

IP65

材料 Material: 金属外壳 Metal hoods

BEISIT®

Identification	Thread	Product Model	Order No.	Dimensions mm
上壳 侧出线/Hoods,side entry				
	M20	H10B-SO-2PR-M20	1 007 01 0000186	
	M25	H10B-SO-2PR-M25	1 007 01 0000187	
	PG13.5	H10B-SO-2PR-PG13.5	1 007 01 0000188	
	PG16	H10B-SO-2PR-PG16	1 007 01 0000189	
上壳高结构 侧出线/Hoods,side entry,high construction				
	M25	H10B-SOH-2PR-M25	1 007 01 0000191	
	M32	H10B-SOH-2PR-M32	1 007 01 0000192	
	PG16	H10B-SOH-2PR-PG16	1 007 01 0000194	
	PG21	H10B-SOH-2PR-PG21	1 007 01 0000195	
	PG29	H10B-SOH-2PR-PG29	1 007 01 0000196	
上壳 顶出线/Hoods,top entry				
	M20	H10B-TO-2PR-M20	1 007 01 0000196	
	M25	H10B-TO-2PR-M25	1 007 01 0000197	
	M32	H10B-TO-2PR-M32	1 007 01 0000198	
	PG13.5	H10B-TO-2PR-PG13.5	1 007 01 0000199	
	PG16	H10B-TO-2PR-PG16	1 007 01 0000200	
	PG21	H10B-TO-2PR-PG21	1 007 01 0000201	
	M25	H10B-TOH-2PR-M25	1 007 01 0000203	
	M32	H10B-TOH-2PR-M32	1 007 01 0000204	
	PG16	H10B-TOH-2PR-PG16	1 007 01 0000206	
	PG21	H10B-TOH-2PR-PG21	1 007 01 0000207	
	PG29	H10B-TOH-2PR-PG29	1 007 01 0000209	

外壳

Housing

→ Size 10B

IP65

材料 Material: 金属外壳 Metal hoods

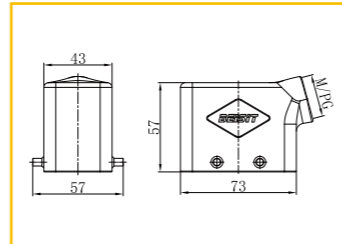
BEISIT®

Identification	Thread	Product Model	Order No.	Dimensions mm
----------------	--------	---------------	-----------	---------------

上壳 侧出线/Hoods,side entry



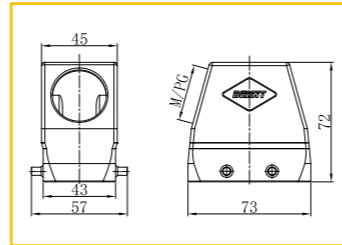
M20	H10B-SO-4P-M20	1 007 01 0000208
M25	H10B-SO-4P-M25	1 007 01 0000209
PG13.5	H10B-SO-4P-PG13.5	1 007 01 0000210
PG16	H10B-SO-4P-PG16	1 007 01 0000211



上壳高结构 侧出线/Hoods,side entry,high construction



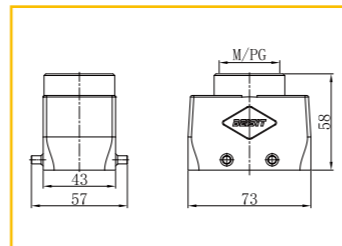
M25	H10B-SOH-4P-M25	1 007 01 0000213
M32	H10B-SOH-4P-M32	1 007 01 0000214
PG16	H10B-SOH-4P-PG16	1 007 01 0000216
PG21	H10B-SOH-4P-PG21	1 007 01 0000217
PG29	H10B-SOH-4P-PG29	1 007 01 0001097



上壳 顶出线/Hoods,top entry



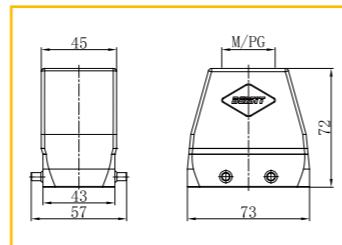
M20	H10B-TO-4P-M20	1 007 01 0000218
M25	H10B-TO-4P-M25	1 007 01 0000219
M32	H10B-TO-4P-M32	1 007 01 0000220
PG13.5	H10B-TO-4P-PG13.5	1 007 01 0000221
PG16	H10B-TO-4P-PG16	1 007 01 0000222
PG21	H10B-TO-4P-PG21	1 007 01 0000223



上壳高结构 顶出线/Hoods,top entry,high construction



M25	H10B-TOH-4P-M25	1 007 01 0000225
M32	H10B-TOH-4P-M32	1 007 01 0000226
PG16	H10B-TOH-4P-PG16	1 007 01 0000228
PG21	H10B-TOH-4P-PG21	1 007 01 0000229
PG29	H10B-TOH-4P-PG29	1 007 01 0001098



外壳

Housing

→ Size 10B

IP65

材料 Material: 金属外壳 Metal hoods

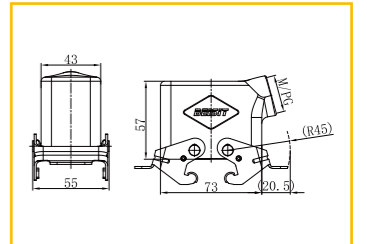
BEISIT®

Identification	Thread	Product Model	Order No.	Dimensions mm
----------------	--------	---------------	-----------	---------------

上壳 侧出线/Hoods,side entry



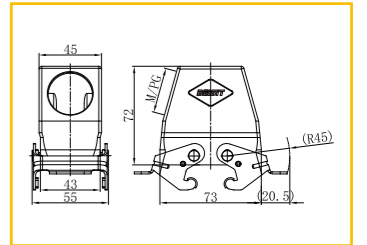
M20	H10B-SO-2L-M20	1 007 01 0000230
M25	H10B-SO-2L-M25	1 007 01 0000231
PG13.5	H10B-SO-2L-PG13.5	1 007 01 0000232
PG16	H10B-SO-2L-PG16	1 007 01 0000233



上壳高结构 侧出线/Hoods,side entry,high construction



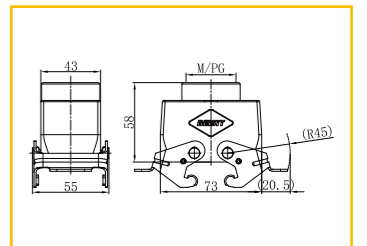
M25	H10B-SOH-2L-M25	1 007 01 0000235
M32	H10B-SOH-2L-M32	1 007 01 0000236
PG16	H10B-SOH-2L-PG16	1 007 01 0000238
PG21	H10B-SOH-2L-PG21	1 007 01 0000239
PG29	H10B-SOH-2L-PG29	1 004 02 0000414



上壳 顶出线/Hoods,top entry



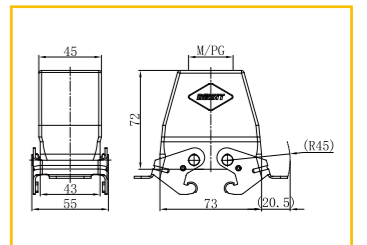
M20	H10B-TO-2L-M20	1 007 01 0000240
M25	H10B-TO-2L-M25	1 007 01 0000241
M32	H10B-TO-2L-M32	1 007 01 0000242
PG13.5	H10B-TO-2L-PG13.5	1 007 01 0000243
PG16	H10B-TO-2L-PG16	1 007 01 0000244
PG21	H10B-TO-2L-PG21	1 007 01 0000245



上壳高结构 顶出线/Hoods,top entry,high construction



M25	H10B-TOH-2L-M25	1 007 01 0000247
M32	H10B-TOH-2L-M32	1 007 01 0000248
PG16	H10B-TOH-2L-PG16	1 007 01 0000250
PG21	H10B-TOH-2L-PG21	1 007 01 0000251
PG29	H10B-TOH-2L-PG29	1 004 02 0000425



外壳
Housing

→ Size 10B

IP65

材料 Material: 金属外壳 Metal hoods

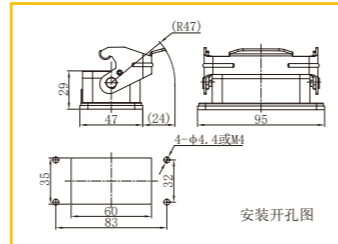
BEISIT®

Identification	Thread	Product Model	Order No.	Dimensions mm
----------------	--------	---------------	-----------	---------------

下壳 不封底/Housings,bulkhead mounting



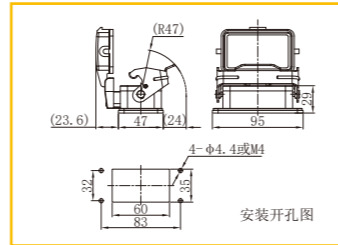
H10B-OM-1L	1 007 01 0000252
------------	------------------



下壳 不封底/Housings,bulkhead mounting



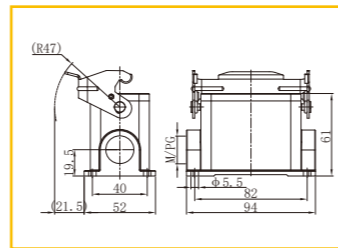
H10B-OM-1L-PC	1 007 01 0000253
---------------	------------------



下壳 封底/Housings,surface mounting



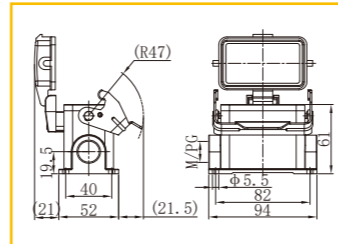
M20	H10B-SM-1L-M20	1 007 01 0000254
2M20	H10B-SM-1L-2M20	1 007 01 0000255
M25	H10B-SM-1L-M25	1 007 01 0000256
2M25	H10B-SM-1L-2M25	1 007 01 0000257
PG13.5	H10B-SM-1L-PG13.5	1 007 01 0000258
2PG13.5	H10B-SM-1L-2PG13.5	1 007 01 0000259
PG16	H10B-SM-1L-PG16	1 007 01 0000260
2PG16	H10B-SM-1L-2PG16	1 007 01 0000261



下壳 封底/Housings,surface mounting



M20	H10B-SM-1L-PC-M20	1 007 01 0000262
2M20	H10B-SM-1L-PC-2M20	1 007 01 0000263
M25	H10B-SM-1L-PC-M25	1 007 01 0000264
2M25	H10B-SM-1L-PC-2M25	1 007 01 0000265
PG13.5	H10B-SM-1L-PC-PG13.5	1 007 01 0000266
2PG13.5	H10B-SM-1L-PC-2PG13.5	1 007 01 0000267
PG16	H10B-SM-1L-PC-PG16	1 007 01 0000268
2PG16	H10B-SM-1L-PC-2PG16	1 007 01 0000269

外壳
Housing

→ Size 10B

IP65

材料 Material: 金属外壳 Metal hoods

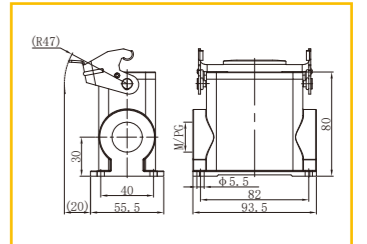
BEISIT®

Identification	Thread	Product Model	Order No.	Dimensions mm
----------------	--------	---------------	-----------	---------------

下壳高结构 封底/Housings,surface mounting



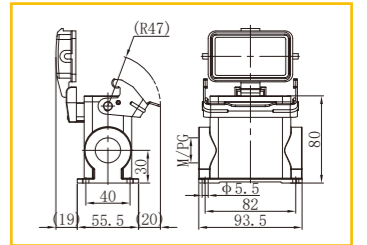
M25	H10B-SMH-1L-M25	1 007 01 0000272
2M25	H10B-SMH-1L-2M25	1 007 01 0000273
2PG16	H10B-SMH-1L-2PG16	1 007 01 0000275
PG21	H10B-SMH-1L-PG21	1 007 01 0000276
2PG21	H10B-SMH-1L-2PG21	1 007 01 0000277



下壳高结构 封底/Housings,surface mounting



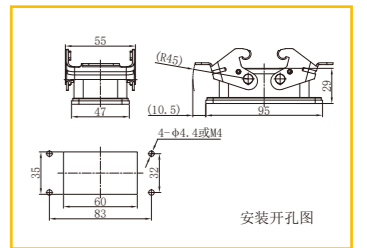
M25	H10B-SMH-1L-PC-M25	1 007 01 0000280
2M25	H10B-SMH-1L-PC-2M25	1 007 01 0000281
PG16	H10B-SMH-1L-PC-PG16	1 007 01 0000282
2PG16	H10B-SMH-1L-PC-2PG16	1 007 01 0000283
PG21	H10B-SMH-1L-PC-PG21	1 007 01 0000284
2PG21	H10B-SMH-1L-PC-2PG21	1 007 01 0000285



下壳 不封底/Housings,bulkhead mounting



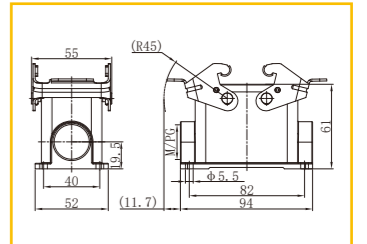
H10B-OM-2L	1 007 01 0000286
------------	------------------



下壳 封底/Housings,surface mounting



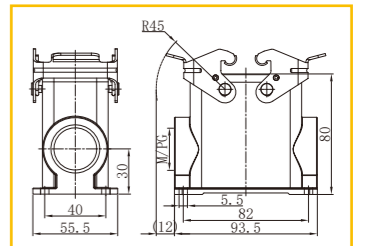
M20	H10B-SM-2L-M20	1 007 01 0000287
2M20	H10B-SM-2L-2M20	1 007 01 0000288
M25	H10B-SM-2L-M25	1 007 01 0000289
2M25	H10B-SM-2L-2M25	1 007 01 0000290
PG13.5	H10B-SM-2L-PG13.5	1 007 01 0000291
2PG13.5	H10B-SM-2L-2PG13.5	1 007 01 0000292
PG16	H10B-SM-2L-PG16	1 007 01 0000293
2PG16	H10B-SM-2L-2PG16	1 007 01 0000294



下壳高结构 封底/Housings,surface mounting



M25	H10B-SMH-2L-M25	1 007 01 0000297
2M25	H10B-SMH-2L-2M25	1 007 01 0000298
M32	H10B-SMH-2L-M32	1 007 01 0000299
2M32	H10B-SMH-2L-2M32	1 007 01 0000300
PG16	H10B-SMH-2L-PG16	1 007 01 0000301
2PG16	H10B-SMH-2L-2PG16	1 007 01 0000302
PG21	H10B-SMH-2L-PG21	1 007 01 0000303
2PG21	H10B-SMH-2L-2PG21	1 007 01 0000304
PG29	H10B-SMH-2L-PG29	1 007 01 0000305
2PG29	H10B-SMH-2L-2PG29	1 007 01 0000306



外壳

Housing

→ Size 10B

IP65

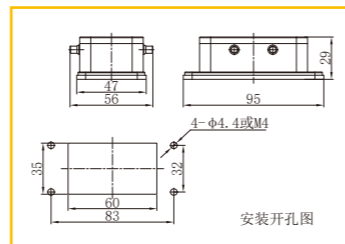
材料 Material: 金属外壳 Metal hoods

Identification	Thread	Product Model	Order No.	Dimensions mm
----------------	--------	---------------	-----------	---------------

下壳 不封底/Housings,bulkhead mounting



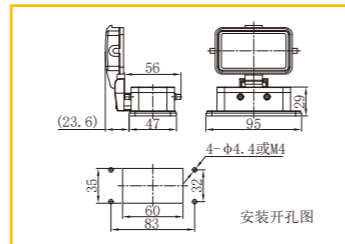
H10B-OM-4PR	1 007 01 0000307
-------------	------------------



下壳 不封底/Housings,bulkhead mounting



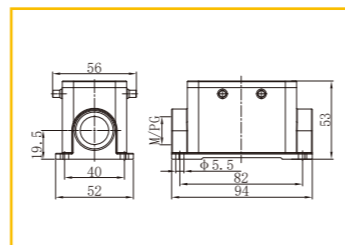
H10B-OM-4PR-PC	1 007 01 0000308
----------------	------------------



下壳 封底/Housings,surface mounting



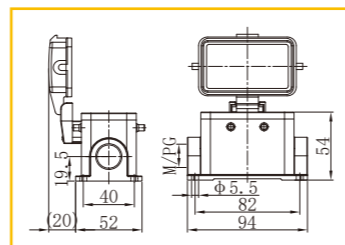
M20	H10B-SM-4PR-M20	1 007 01 0000309
2M20	H10B-SM-4PR-2M20	1 007 01 0000310
M25	H10B-SM-4PR-M25	1 007 01 0000311
2M25	H10B-SM-4PR-2M25	1 007 01 0000312
PG13.5	H10B-SM-4PR-PG13.5	1 007 01 0000313
2PG13.5	H10B-SM-4PR-2PG13.5	1 007 01 0000314
PG16	H10B-SM-4PR-PG16	1 007 01 0000315
2PG16	H10B-SM-4PR-2PG16	1 007 01 0000316



下壳 封底/Housings,surface mounting



M20	H10B-SM-4PR-PC-M20	1 007 01 0000317
2M20	H10B-SM-4PR-PC-2M20	1 007 01 0000318
M25	H10B-SM-4PR-PC-M25	1 007 01 0000319
2M25	H10B-SM-4PR-PC-2M25	1 007 01 0000320
PG13.5	H10B-SM-4PR-PC-PG13.5	1 007 01 0000321
2PG13.5	H10B-SM-4PR-PC-2PG13.5	1 007 01 0000322
PG16	H10B-SM-4PR-PC-PG16	1 007 01 0000323
2PG16	H10B-SM-4PR-PC-2PG16	1 007 01 0000324



外壳

Housing

→ Size 10B

IP65

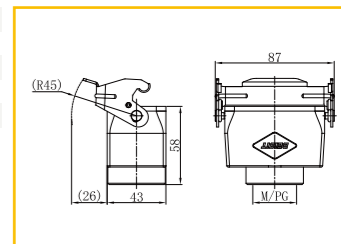
材料 Material: 金属外壳 Metal hoods

Identification	Thread	Product Model	Order No.	Dimensions mm
----------------	--------	---------------	-----------	---------------

外壳 中继/Housings,cable to cable



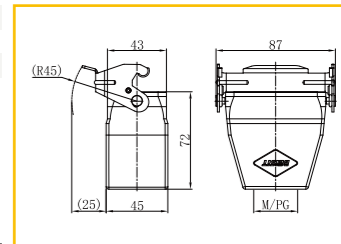
M20	H10B-CTC-1L-M20	1 007 01 0000325
M25	H10B-CTC-1L-M25	1 007 01 0000326
M32	H10B-CTC-1L-M32	1 007 01 0000327
PG13.5	H10B-CTC-1L-PG13.5	1 007 01 0000328
PG16	H10B-CTC-1L-PG16	1 007 01 0000329
PG21	H10B-CTC-1L-PG21	1 007 01 0000330



外壳 中继/Housings,cable to cable



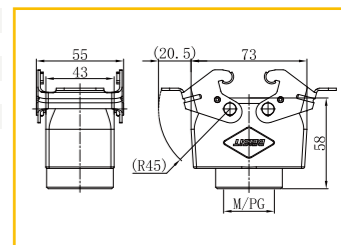
M25	10B-CTCH-1L-M25	1 007 01 0000332
M32	H10B-CTCH-1L-M32	1 007 01 0000333
PG16	H10B-CTCH-1L-PG16	1 007 01 0000335
PG21	H10B-CTCH-1L-PG21	1 007 01 0000336



外壳 中继/Housings,cable to cable



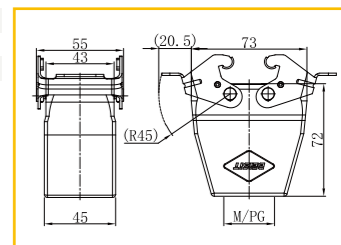
M20	H10B-CTC-2L-M20	1 007 01 0000337
M25	H10B-CTC-2L-M25	1 007 01 0000338
M32	H10B-CTC-2L-M32	1 007 01 0000339
PG13.5	H10B-CTC-2L-PG13.5	1 007 01 0000340
PG16	H10B-CTC-2L-PG16	1 007 01 0000341
PG21	H10B-CTC-2L-PG21	1 007 01 0000342



外壳 中继/Housings,cable to cable



M25	H10B-CTCH-2L-M25	1 007 01 0000344
M32	H10B-CTCH-2L-M32	1 007 01 0000345
PG16	H10B-CTCH-2L-PG16	1 007 01 0000347
PG21	H10B-CTCH-2L-PG21	1 007 01 0000348



外壳

Housing

→ Size 10B

IP65

材料 Material: 金属外壳 Metal hoods

Identification	Thread	Product Model	Order No.	Dimensions mm
保护盖/Protection covers				
		H10B-PC-4P	1 007 02 000023	
		H10B-PC-4P-N	1 007 02 000024	
		H10B-PC-4P-NT	1 007 02 000025	
		H10B-PC-4P-M	1 007 02 000026	
		H10B-PC-4P-MT	1 007 02 000027	
保护盖/Protection covers				
		H10B-PC2-4P-N	1 007 02 000028	
		H10B-PC2-4P-NT	1 007 02 000029	
		H10B-PC2-4P-NG	1 007 02 000030	
		H10B-PC2-4P-NTG	1 007 02 000031	
		H10B-PC2-4P-M	1 007 02 000032	
		H10B-PC2-4P-MT	1 007 02 000033	
		H10B-PC2-4P-MG	1 007 02 000034	
		H10B-PC2-4P-MTG	1 007 02 000035	
保护盖/Protection covers				
		H10B-PC-4S	1 007 02 000036	
		H10B-PC-4S-N	1 007 02 000037	
		H10B-PC-4S-NT	1 007 02 000038	
		H10B-PC-4S-M	1 007 02 000039	
		H10B-PC-4S-MT	1 007 02 000040	
保护盖/Protection covers				
		H10B-PC-2LP	1 007 02 000041	
		H10B-PC-2LP-N	1 007 02 000042	
		H10B-PC-2LP-NT	1 007 02 000043	
		H10B-PC-2LP-C	1 007 02 000044	
		H10B-PC-2LP-CT	1 007 02 000045	

外壳

Housing

→ Size 10B

IP65

材料 Material: 金属外壳 Metal hoods

Identification	Thread	Product Model	Order No.	Dimensions mm
上壳 侧出线/Hoods,side entry				
	M20	H10BB-SO-2B-M20	1 007 01 0000349	
	M25	H10BB-SO-2B-M25	1 007 01 0000350	
	M32	H10BB-SO-2B-M32	1 007 01 0000351	
	PG16	H10BB-SO-2B-PG16	1 007 01 0000352	
	PG21	H10BB-SO-2B-PG21	1 007 01 0000353	
上壳 顶出线/Hoods,top entry				
	M20	H10BB-TO-2B-M20	1 007 01 0000354	
	M25	H10BB-TO-2B-M25	1 007 01 0000355	
	M32	H10BB-TO-2B-M32	1 007 01 0000356	
	PG16	H10BB-TO-2B-PG16	1 007 01 0000357	
	PG21	H10BB-TO-2B-PG21	1 007 01 0000358	
下壳 不封底/Housings,bulkhead mounting				
		H10BB-OM-2BH	1 007 01 0000359	

外壳

Housing

→ Size 16B

IP65

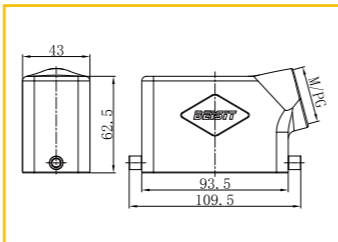
材料 Material: 金属外壳 Metal hoods

Identification	Thread	Product Model	Order No.	Dimensions mm
----------------	--------	---------------	-----------	---------------

上壳 侧出线/Hoods,side entry



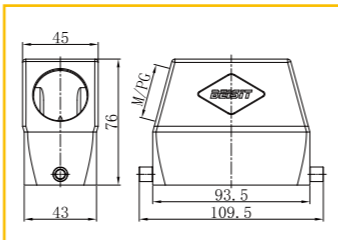
M20		H16B-SO-2PR-M20	1 007 01 0000360
M25		H16B-SO-2PR-M25	1 007 01 0000361
M32		H16B-SO-2PR-M32	1 007 01 0000362
PG13.5		H16B-SO-2PR-PG13.5	1 007 01 0000363
PG16		H16B-SO-2PR-PG16	1 007 01 0000364
PG21		H16B-SO-2PR-PG21	1 007 01 0000365



上壳高结构 侧出线/Hoods,side entry,high construction



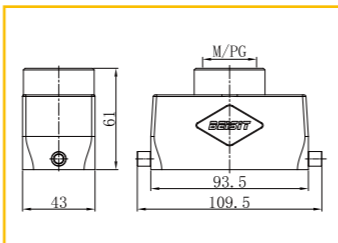
M25		H16B-SOH-2PR-M25	1 007 01 0000367
M32		H16B-SOH-2PR-M32	1 007 01 0000368
M40		H16B-SOH-2PR-M40	1 007 01 0000900
PG16		H16B-SOH-2PR-PG16	1 007 01 0000370
PG21		H16B-SOH-2PR-PG21	1 007 01 0000371
PG29		H16B-SOH-2PR-PG29	1 007 01 0000372



上壳 顶出线/Hoods,top entry



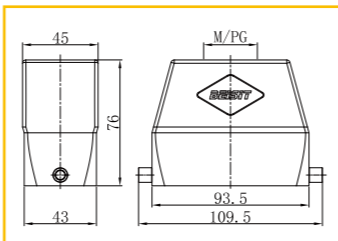
M20		H16B-TO-2PR-M20	1 007 01 0000373
M25		H16B-TO-2PR-M25	1 007 01 0000374
M32		H16B-TO-2PR-M32	1 007 01 0000375
PG13.5		H16B-TO-2PR-PG13.5	1 007 01 0000376
PG16		H16B-TO-2PR-PG16	1 007 01 0000377
PG21		H16B-TO-2PR-PG21	1 007 01 0000378
PG29		H16B-TO-2PR-PG29	1 007 01 0000379



上壳高结构 顶出线/Hoods,top entry,high construction



M25		H16B-TOH-2PR-M25	1 007 01 0000381
M32		H16B-TOH-2PR-M32	1 007 01 0000382
M40		H16B-TOH-2PR-M40	1 007 01 0000897
PG16		H16B-TOH-2PR-PG16	1 007 01 0000384
PG21		H16B-TOH-2PR-PG21	1 007 01 0000385
PG29		H16B-TOH-2PR-PG29	1 007 01 0000386



外壳

Housing

→ Size 16B

IP65

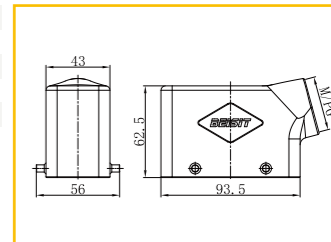
材料 Material: 金属外壳 Metal hoods

Identification	Thread	Product Model	Order No.	Dimensions mm
----------------	--------	---------------	-----------	---------------

上壳 侧出线/Hoods,side entry



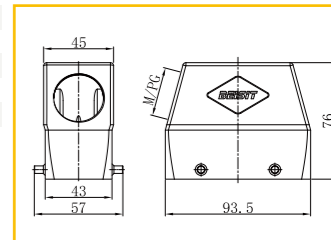
M20		H16B-SO-4P-M20	1 007 01 0000387
M25		H16B-SO-4P-M25	1 007 01 0000388
M32		H16B-SO-4P-M32	1 007 01 0000389
PG13.5		H16B-SO-4P-PG13.5	1 007 01 0000390
PG16		H16B-SO-4P-PG16	1 007 01 0000391
PG21		H16B-SO-4P-PG21	1 007 01 0000392



上壳高结构 侧出线/Hoods,side entry,high construction



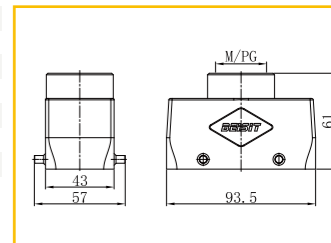
M25		H16B-SOH-4P-M25	1 007 01 0000394
M32		H16B-SOH-4P-M32	1 007 01 0000395
M40		H16B-SOH-4P-M40	1 007 01 0000895
PG16		H16B-SOH-4P-PG16	1 007 01 0000397
PG21		H16B-SOH-4P-PG21	1 007 01 0000398
PG29		H16B-SOH-4P-PG29	1 007 01 0000399



上壳 顶出线/Hoods,top entry



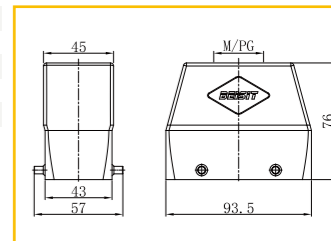
M20		H16B-TO-4P-M20	1 007 01 0000400
M25		H16B-TO-4P-M25	1 007 01 0000401
M32		H16B-TO-4P-M32	1 007 01 0000402
PG13.5		H16B-TO-4P-PG13.5	1 007 01 0000403
PG16		H16B-TO-4P-PG16	1 007 01 0000404
PG21		H16B-TO-4P-PG21	1 007 01 0000405
PG29		H16B-TO-4P-PG29	1 007 01 0000406



上壳高结构 顶出线/Hoods,top entry,high construction



M25		H16B-TOH-4P-M25	1 007 01 0000408
M32		H16B-TOH-4P-M32	1 007 01 0000409
M40		H16B-TOH-4P-M40	1 007 01 0000899
PG16		H16B-TOH-4P-PG16	1 007 01 0000411
PG21		H16B-TOH-4P-PG21	1 007 01 0000412
PG29		H16B-TOH-4P-PG29	1 007 01 0000413



外壳
Housing

→ Size 16B

IP65

材料 Material: 金属外壳 Metal hoods

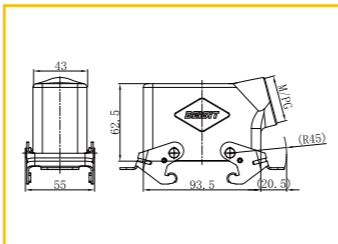
BEISIT®

Identification	Thread	Product Model	Order No.	Dimensions mm
----------------	--------	---------------	-----------	---------------

上壳 侧出线/Hoods,side entry



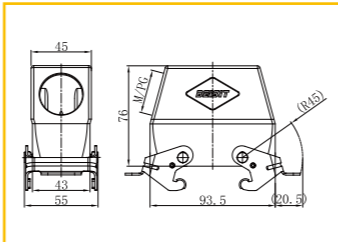
M20		H16B-SO-2L-M20	1 007 01 0000414
M25		H16B-SO-2L-M25	1 007 01 0000415
M32		H16B-SO-2L-M32	1 007 01 0000416
PG13.5		H16B-SO-2L-PG13.5	1 007 01 0000417
PG16		H16B-SO-2L-PG16	1 007 01 0000418
PG21		H16B-SO-2L-PG21	1 007 01 0000419



上壳高结构 侧出线/Hoods,side entry,high construction



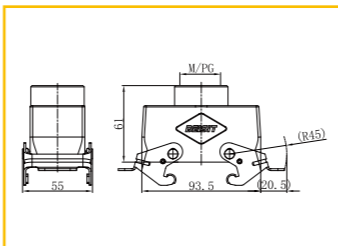
M25		H16B-SOH-2L-M25	1 007 01 0000421
M32		H16B-SOH-2L-M32	1 007 01 0000422
PG16		H16B-SOH-2L-PG16	1 007 01 0000424
PG21		H16B-SOH-2L-PG21	1 007 01 0000425
PG29		H16B-SOH-2L-PG29	1 007 01 0000426



上壳 顶出线/Hoods,top entry



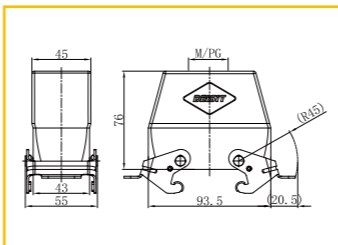
M20		H16B-TO-2L-M20	1 007 01 0000427
M25		H16B-TO-2L-M25	1 007 01 0000428
M32		H16B-TO-2L-M32	1 007 01 0000429
PG13.5		H16B-TO-2L-PG13.5	1 007 01 0000430
PG16		H16B-TO-2L-PG16	1 007 01 0000431
PG21		H16B-TO-2L-PG21	1 007 01 0000432
PG29		H16B-TO-2L-PG29	1 007 01 0000433



上壳高结构 顶出线/Hoods,top entry,high construction



M25		H16B-TOH-2L-M25	1 007 01 0000435
M32		H16B-TOH-2L-M32	1 007 01 0000436
PG16		H16B-TOH-2L-PG16	1 007 01 0000438
PG21		H16B-TOH-2L-PG21	1 007 01 0000439
PG29		H16B-TOH-2L-PG29	1 007 01 0000440

外壳
Housing

→ Size 16B

IP65

材料 Material: 金属外壳 Metal hoods

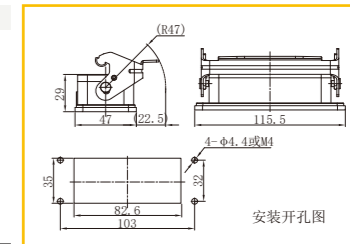
BEISIT®

Identification	Thread	Product Model	Order No.	Dimensions mm
----------------	--------	---------------	-----------	---------------

下壳 不封底/Housings,bulkhead mounting



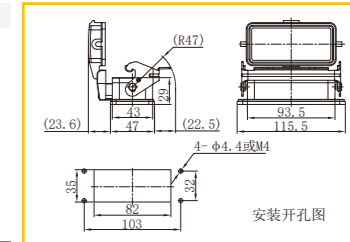
H16B-OM-1L			1 007 01 0000441
------------	--	--	------------------



下壳 不封底/Housings,bulkhead mounting



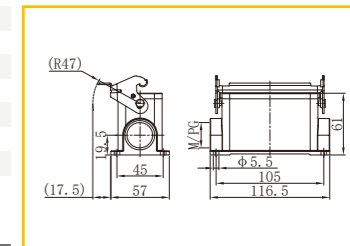
H16B-OM-1L-PC			1 007 01 0000442
---------------	--	--	------------------



下壳 封底/Housings,surface mounting



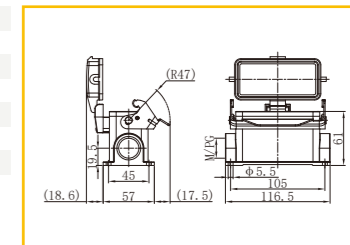
M20		H16B-SM-1L-M20	1 007 01 0000443
2M20		H16B-SM-1L-2M20	1 007 01 0000444
M25		H16B-SM-1L-M25	1 007 01 0000445
2M25		H16B-SM-1L-2M25	1 007 01 0000446
PG13.5		H16B-SM-1L-PG13.5	1 007 01 0000447
2PG13.5		H16B-SM-1L-2PG13.5	1 007 01 0000448
PG16		H16B-SM-1L-PG16	1 007 01 0000449
2PG16		H16B-SM-1L-2PG16	1 007 01 0000450



下壳 封底/Housings,surface mounting



M20		H16B-SM-1L-PC-M20	1 007 01 0000451
2M20		H16B-SM-1L-PC-2M20	1 007 01 0000452
M25		H16B-SM-1L-PC-M25	1 007 01 0000453
2M25		H16B-SM-1L-PC-2M25	1 007 01 0000454
PG13.5		H16B-SM-1L-PC-PG13.5	1 007 01 0000455
2PG13.5		H16B-SM-1L-PC-2PG13.5	1 007 01 0000456
PG16		H16B-SM-1L-PC-PG16	1 007 01 0000457
2PG16		H16B-SM-1L-PC-2PG16	1 007 01 0000458



外壳
Housing

→ Size 16B

IP65

BEISIT®

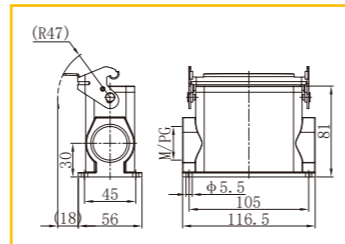
材料 Material: 金属外壳 Metal hoods

Identification	Thread	Product Model	Order No.	Dimensions mm
----------------	--------	---------------	-----------	---------------

下壳高结构 封底/Housings, surface mounting



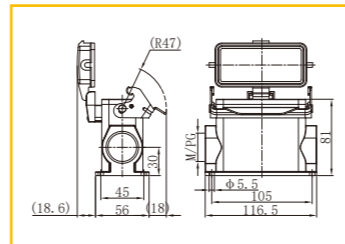
M25	H16B-SMH-1L-M25	1 007 01 0000461
2M25	H16B-SMH-1L-2M25	1 007 01 0000462
PG16	H16B-SMH-1L-PG16	1 007 01 0000463
2PG16	H16B-SMH-1L-2PG16	1 007 01 0000464
PG21	H16B-SMH-1L-PG21	1 007 01 0000465
2PG21	H16B-SMH-1L-2PG21	1 007 01 0000466



下壳高结构 封底/Housings, surface mounting



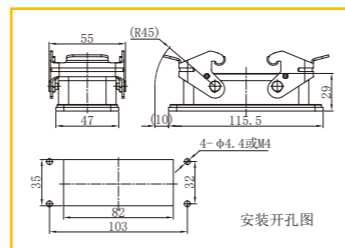
M20	H16B-SMH-1L-PC-M20	1 007 01 0000467
2M20	H16B-SMH-1L-PC-2M20	1 007 01 0000468
M25	H16B-SMH-1L-PC-M25	1 007 01 0000469
2M25	H16B-SMH-1L-PC-2M25	1 007 01 0000470
PG16	H16B-SMH-1L-PC-PG16	1 007 01 0000471
2PG16	H16B-SMH-1L-PC-2PG16	1 007 01 0000472
PG21	H16B-SMH-1L-PC-PG21	1 007 01 0000473
2PG21	H16B-SMH-1L-PC-2PG21	1 007 01 0000474



下壳 不封底/Housings, bulkhead mounting

H16B-OM-2L

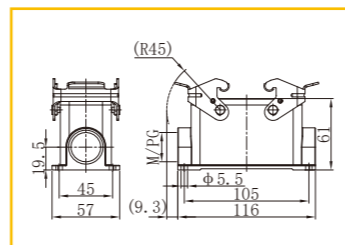
1 007 01 0000475



下壳 封底/Housings, surface mounting



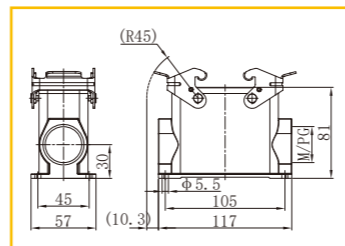
M20	H16B-SM-2L-M20	1 007 01 0000476
2M20	H16B-SM-2L-2M20	1 007 01 0000477
M25	H16B-SM-2L-M25	1 007 01 0000478
2M25	H16B-SM-2L-2M25	1 007 01 0000479
PG13.5	H16B-SM-2L-PG13.5	1 007 01 0000480
2PG13.5	H16B-SM-2L-2PG13.5	1 007 01 0000481
PG16	H16B-SM-2L-PG16	1 007 01 0000482
2PG16	H16B-SM-2L-2PG16	1 007 01 0000483



下壳高结构 封底/Housings, surface mounting



M25	H16B-SMH-2L-M25	1 007 01 0000486
2M25	H16B-SMH-2L-2M25	1 007 01 0000487
M32	H16B-SMH-2L-M32	1 007 01 0000488
2M32	H16B-SMH-2L-2M32	1 007 01 0000489
PG16	H16B-SMH-2L-PG16	1 007 01 0000490
2PG16	H16B-SMH-2L-2PG16	1 007 01 0000491
PG21	H16B-SMH-2L-PG21	1 007 01 0000492
2PG21	H16B-SMH-2L-2PG21	1 007 01 0000493
PG29	H16B-SMH-2L-PG29	1 007 01 0000494
2PG29	H16B-SMH-2L-2PG29	1 007 01 0000495

外壳
Housing

→ Size 16B

IP65

BEISIT®

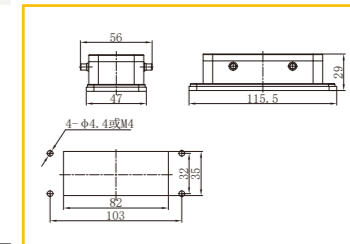
材料 Material: 金属外壳 Metal hoods

Identification	Thread	Product Model	Order No.	Dimensions mm
----------------	--------	---------------	-----------	---------------

下壳 不封底/Housings, bulkhead mounting

H16B-OM-4PR

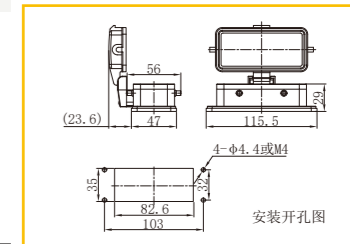
1 007 01 0000496



下壳 不封底/Housings, bulkhead mounting

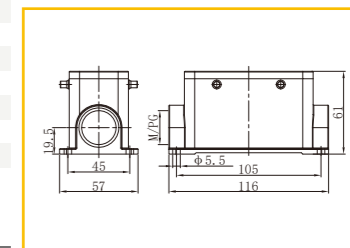
H16B-OM-4PR-PC

1 007 01 0000497



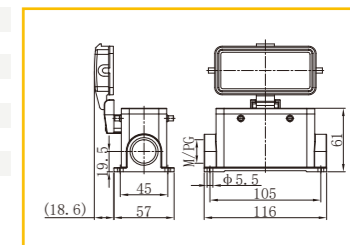
下壳 封底/Housings, surface mounting

M20	H16B-SM-4PR-M20	1 007 01 0000498
2M20	H16B-SM-4PR-2M20	1 007 01 0000499
M25	H16B-SM-4PR-M25	1 007 01 0000500
2M25	H16B-SM-4PR-2M25	1 007 01 0000501
PG13.5	H16B-SM-4PR-PG13.5	1 007 01 0000502
2PG13.5	H16B-SM-4PR-2PG13.5	1 007 01 0000503
PG16	H16B-SM-4PR-PG16	1 007 01 0000504
2PG16	H16B-SM-4PR-2PG16	1 007 01 0000505



下壳 封底/Housings, surface mounting

M20	H16B-SM-4PR-PC-M20	1 007 01 0000506
2M20	H16B-SM-4PR-PC-2M20	1 007 01 0000507
M25	H16B-SM-4PR-PC-M25	1 007 01 0000508
2M25	H16B-SM-4PR-PC-2M25	1 007 01 0000509
PG13.5	H16B-SM-4PR-PC-PG13.5	1 007 01 0000510
2PG13.5	H16B-SM-4PR-PC-2PG13.5	1 007 01 0000511
PG16	H16B-SM-4PR-PC-PG16	1 007 01 0000512
2PG16	H16B-SM-4PR-PC-2PG16	1 007 01 0000513



外壳

Housing

→ Size 16B

IP65

材料 Material: 金属外壳 Metal hoods

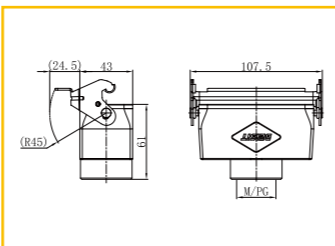
BEISIT®

Identification	Thread	Product Model	Order No.	Dimensions mm
----------------	--------	---------------	-----------	---------------

外壳 中继/Housings,cable to cable



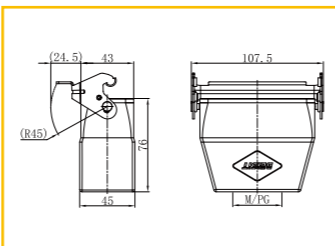
M20		H16B-CTC-1L-M20	1 007 01 0000514
M25		H16B-CTC-1L-M25	1 007 01 0000515
M32		H16B-CTC-1L-M32	1 007 01 0000516
PG13.5		H16B-CTC-1L-PG13.5	1 007 01 0000517
PG16		H16B-CTC-1L-PG16	1 007 01 0000518
PG21		H16B-CTC-1L-PG21	1 007 01 0000519
PG29		H16B-CTC-1L-PG29	1 007 01 0000520



外壳 中继/Housings, cable to cable



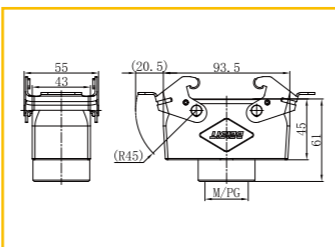
M20		H16B-CTCH-1L-M20	1 007 01 0000521
M25		H16B-CTCH-1L-M25	1 007 01 0000522
M32		H16B-CTCH-1L-M32	1 007 01 0000523
PG21		H16B-CTCH-1L-PG21	1 007 01 0000526
PG29		H16B-CTCH-1L-PG29	1 007 01 0000527



外壳 中继/Housings, cable to cable



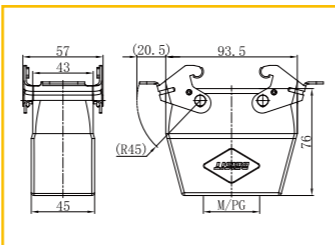
M20		H16B-CTC-2L-M20	1 007 01 0000528
M25		H16B-CTC-2L-M25	1 007 01 0000529
M32		H16B-CTC-2L-M32	1 007 01 0000530
PG13.5		H16B-CTC-2L-PG13.5	1 007 01 0000531
PG16		H16B-CTC-2L-PG16	1 007 01 0000532
PG21		H16B-CTC-2L-PG21	1 007 01 0000533
PG29		H16B-CTC-2L-PG29	1 007 01 0000534



外壳 中继/Housings, cable to cable



M25		H16B-CTCH-2L-M25	1 007 01 0000536
M32		H16B-CTCH-2L-M32	1 007 01 0000537
PG16		H16B-CTCH-2L-PG16	1 007 01 0000539
PG21		H16B-CTCH-2L-PG21	1 007 01 0000540
PG29		H16B-CTCH-2L-PG29	1 007 01 0000541



外壳

Housing

→ Size 16B

IP65

材料 Material: 金属外壳 Metal hoods

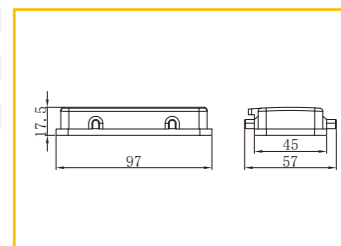
BEISIT®

Identification	Thread	Product Model	Order No.	Dimensions mm
----------------	--------	---------------	-----------	---------------

保护盖/Protection covers



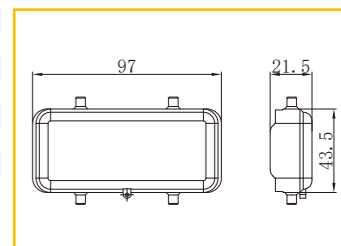
		H16B-PC-4P	1 007 02 0000046
		H16B-PC-4P-N	1 007 02 0000047
		H16B-PC-4P-NT	1 007 02 0000048
		H16B-PC-4P-M	1 007 02 0000049
		H16B-PC-4P-MT	1 007 02 0000050



保护盖/Protection covers



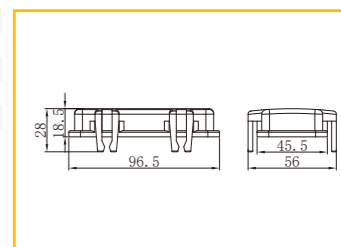
		H16B-PC2-4P-N	1 007 02 0000051
		H16B-PC2-4P-NT	1 007 02 0000052
		H16B-PC2-4P-NG	1 007 02 0000053
		H16B-PC2-4P-NTG	1 007 02 0000054
		H16B-PC2-4P-M	1 007 02 0000055
		H16B-PC2-4P-MT	1 007 02 0000056
		H16B-PC2-4P-MG	1 007 02 0000057
		H16B-PC2-4P-MTG	1 007 02 0000058



保护盖/Protection covers



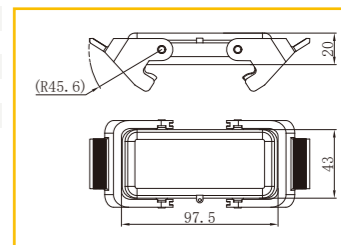
		H16B-PC-4S	1 007 02 0000059
		H16B-PC-4S-N	1 007 02 0000060
		H16B-PC-4S-NT	1 007 02 0000061
		H16B-PC-4S-M	1 007 02 0000062
		H16B-PC-4S-MT	1 007 02 0000063



保护盖/Protection covers



		H16B-PC-2LP	1 007 02 0000064
		H16B-PC-2LP-N	1 007 02 0000065
		H16B-PC-2LP-NT	1 007 02 0000066
		H16B-PC-2LP-M	1 007 02 0000067
		H16B-PC-2LP-MT	1 007 02 0000068



外壳

Housing

→ Size 16B

IP65

材料 Material: 金属外壳 Metal hoods



外壳

Housing

→ Size 24B

IP65

材料 Material: 金属外壳 Metal hoods

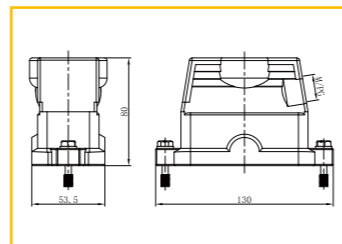


Identification	Thread	Product Model	Order No.	Dimensions mm
----------------	--------	---------------	-----------	---------------

上壳 侧出线/Hoods, side entry



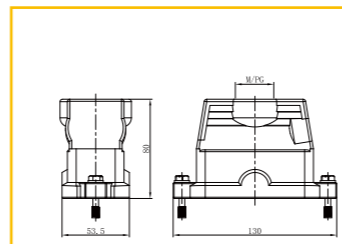
M20		H16BB-SO-2B-M20	1 007 01 0000542
M25		H16BB-SO-2B-M25	1 007 01 0000543
M32		H16BB-SO-2B-M32	1 007 01 0000544
PG16		H16BB-SO-2B-PG16	1 007 01 0000545
PG21		H16BB-SO-2B-PG21	1 007 01 0000546



上壳 顶出线/Hoods, top entry



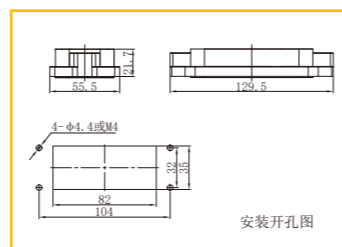
M20		H16BB-TO-2B-M20	1 007 01 0000547
M25		H16BB-TO-2B-M25	1 007 01 0000548
M32		H16BB-TO-2B-M32	1 007 01 0000549
PG16		H16BB-TO-2B-PG16	1 007 01 0000550
PG21		H16BB-TO-2B-PG21	1 007 01 0000551



下壳 不封底/Housings, bulkhead mounting



H16BB-OM-2BH	1 007 01 0000552
--------------	------------------

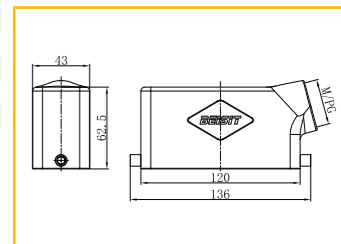


Identification	Thread	Product Model	Order No.	Dimensions mm
----------------	--------	---------------	-----------	---------------

上壳 侧出线/Hoods,side entry



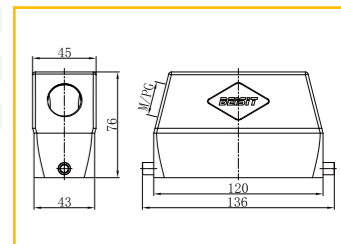
M20		H24B-SO-2PR-M20	1 007 01 0000553
M25		H24B-SO-2PR-M25	1 007 01 0000554
M32		H24B-SO-2PR-M32	1 007 01 0000555
PG13.5		H24B-SO-2PR-PG13.5	1 007 01 0000556
PG16		H24B-SO-2PR-PG16	1 007 01 0000557
PG21		H24B-SO-2PR-PG21	1 007 01 0000558



上壳高结构 侧出线/Hoods,side entry,high construction



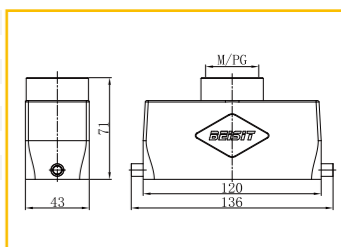
M25		H24B-SOH-2PR-M25	1 007 01 0000560
M32		H24B-SOH-2PR-M32	1 007 01 0000561
M40		H24B-SOH-2PR-M40	1 007 01 0000893
PG16		H24B-SOH-2PR-PG16	1 007 01 0000563
PG21		H24B-SOH-2PR-PG21	1 007 01 0000564
PG29		H24B-SOH-2PR-PG29	1 007 01 0000565



上壳 顶出线/Hoods,top entry



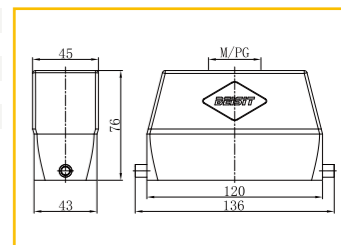
M20		H24B-TO-2PR-M20	1 007 01 0000566
M25		H24B-TO-2PR-M25	1 007 01 0000567
M32		H24B-TO-2PR-M32	1 007 01 0000568
PG13.5		H24B-TO-2PR-PG13.5	1 007 01 0000569
PG16		H24B-TO-2PR-PG16	1 007 01 0000570
PG21		H24B-TO-2PR-PG21	1 007 01 0000571
PG29		H24B-TO-2PR-PG29	1 007 01 0000572



上壳高结构 顶出线/Hoods,top entry,high construction



M25		H24B-TOH-2PR-M25	1 007 01 0000574
M32		H24B-TOH-2PR-M32	1 007 01 0000575
M40		H24B-TOH-2PR-M40	1 007 01 0001088
PG16		H24B-TOH-2PR-PG16	1 007 01 0000577
PG21		H24B-TOH-2PR-PG21	1 007 01 0000578
PG29		H24B-TOH-2PR-PG29	1 007 01 0000579



外壳

Housing

→ Size 24B

IP65

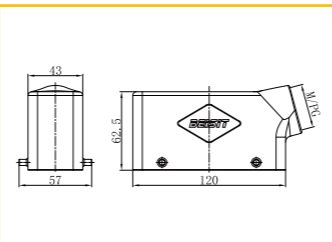
材料 Material: 金属外壳 Metal hoods

Identification	Thread	Product Model	Order No.	Dimensions mm
----------------	--------	---------------	-----------	---------------

上壳 侧出线/Hoods,side entry



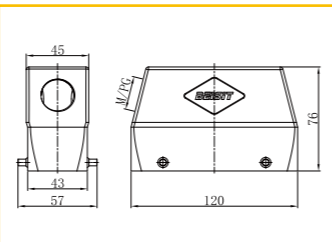
M20	H24B-SO-4P-M20	1 007 01 0000580
M25	H24B-SO-4P-M25	1 007 01 0000581
M32	H24B-SO-4P-M32	1 007 01 0000582
PG13.5	H24B-SO-4P-PG13.5	1 007 01 0000583
PG16	H24B-SO-4P-PG16	1 007 01 0000584
PG21	H24B-SO-4P-PG21	1 007 01 0000585



上壳高结构 侧出线/Hoods,side entry,high construction



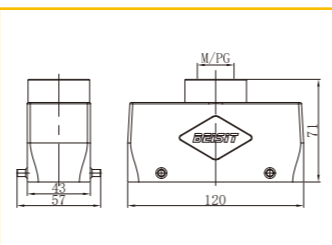
M25	H24B-SOH-4P-M25	1 007 01 0000587
M32	H24B-SOH-4P-M32	1 007 01 0000588
M40	H24B-SOH-4P-M40	1 007 01 0001089
PG16	H24B-SOH-4P-PG16	1 007 01 0000590
PG21	H24B-SOH-4P-PG21	1 007 01 0000591
PG29	H24B-SOH-4P-PG29	1 007 01 0000592



上壳 顶出线/Hoods,top entry



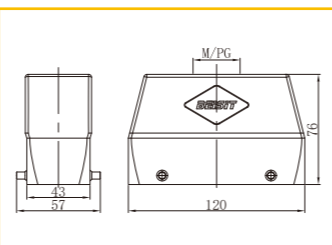
M20	H24B-TO-4P-M20	1 007 01 0000593
M25	H24B-TO-4P-M25	1 007 01 0000594
M32	H24B-TO-4P-M32	1 007 01 0000595
PG13.5	H24B-TO-4P-PG13.5	1 007 01 0000596
PG16	H24B-TO-4P-PG16	1 007 01 0000597
PG21	H24B-TO-4P-PG21	1 007 01 0000598
PG29	H24B-TO-4P-PG29	1 007 01 0000599



上壳高结构 顶出线/Hoods,top entry,high construction



M25	H24B-TOH-4P-M25	1 007 01 0000601
M32	H24B-TOH-4P-M32	1 007 01 0000602
M40	H24B-TOH-4P-M40	1 007 01 0001090
PG16	H24B-TOH-4P-PG16	1 007 01 0000604
PG21	H24B-TOH-4P-PG21	1 007 01 0000605
PG29	H24B-TOH-4P-PG29	1 007 01 0000606



外壳

Housing

→ Size 24B

IP65

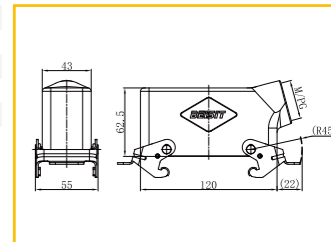
材料 Material: 金属外壳 Metal hoods

Identification	Thread	Product Model	Order No.	Dimensions mm
----------------	--------	---------------	-----------	---------------

上壳 侧出线/Hoods,side entry



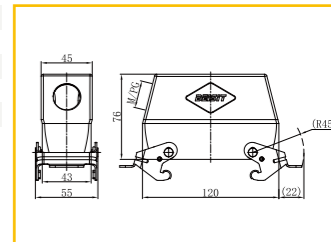
M20	H24B-SO-2L-M20	1 007 01 0000607
M25	H24B-SO-2L-M25	1 007 01 0000608
M32	H24B-SO-2L-M32	1 007 01 0000609
PG13.5	H24B-SO-2L-PG13.5	1 007 01 0000610
PG16	H24B-SO-2L-PG16	1 007 01 0000611
PG21	H24B-SO-2L-PG21	1 007 01 0000612



上壳高结构 侧出线/Hoods,side entry,high construction



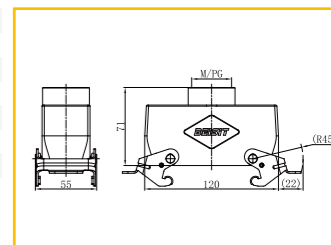
M25	H24B-SOH-2L-M25	1 007 01 0000614
M32	H24B-SOH-2L-M32	1 007 01 0000615
PG16	H24B-SOH-2L-PG16	1 007 01 0000617
PG21	H24B-SOH-2L-PG21	1 007 01 0000618
PG29	H24B-SOH-2L-PG29	1 007 01 0000619



上壳 顶出线/Hoods,top entry



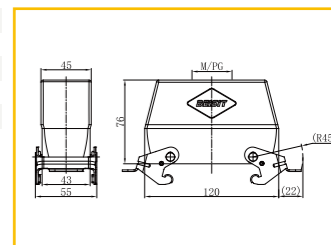
M20	H24B-TO-2L-M20	1 007 01 0000620
M25	H24B-TO-2L-M25	1 007 01 0000621
M32	H24B-TO-2L-M32	1 007 01 0000622
PG13.5	H24B-TO-2L-PG13.5	1 007 01 0000623
PG16	H24B-TO-2L-PG16	1 007 01 0000624
PG21	H24B-TO-2L-PG21	1 007 01 0000625
PG29	H24B-TO-2L-PG29	1 007 01 0000626



上壳高结构 顶出线/Hoods,top entry,high construction



M25	H24B-TOH-2L-M25	1 007 01 0000628
M32	H24B-TOH-2L-M32	1 007 01 0000629
PG16	H24B-TOH-2L-PG16	1 007 01 0000631
PG21	H24B-TOH-2L-PG21	1 007 01 0000632
PG29	H24B-TOH-2L-PG29	1 007 01 0000633



外壳
Housing

→ Size 24B

IP65

BEISIT®

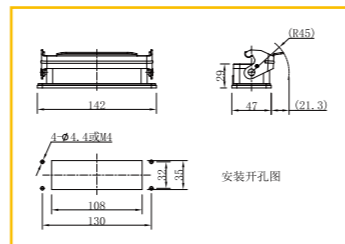
材料 Material: 金属外壳 Metal hoods

Identification	Thread	Product Model	Order No.	Dimensions mm
----------------	--------	---------------	-----------	---------------

下壳 不封底/Housings, bulkhead mounting



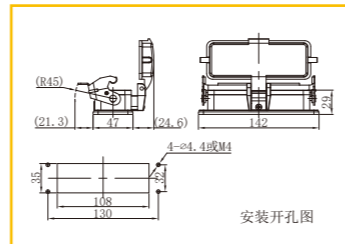
H24B-OM-1L 1 007 01 0000634



下壳 不封底/Housings, bulkhead mounting



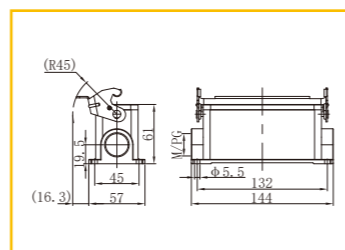
H24B-OM-1L-PC 1 007 01 0000635



下壳 封底/Housings, surface mounting



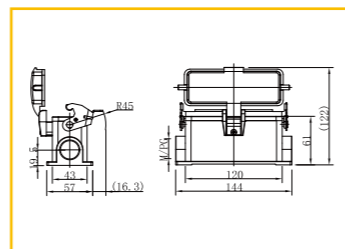
M20	H24B-SM-1L-M20	1 007 01 0000636
2M20	H24B-SM-1L-2M20	1 007 01 0000637
M25	H24B-SM-1L-M25	1 007 01 0000638
2M25	H24B-SM-1L-2M25	1 007 01 0000639
PG13.5	H24B-SM-1L-PG13.5	1 007 01 0000640
2PG13.5	H24B-SM-1L-2PG13.5	1 007 01 0000641
PG16	H24B-SM-1L-PG16	1 007 01 0000642
2PG16	H24B-SM-1L-2PG16	1 007 01 0000643
PG21	H24B-SM-1L-PG21	1 007 01 0000644
2PG21	H24B-SM-1L-2PG21	1 007 01 0000645



下壳 封底/Housings, surface mounting



M20	H24B-SM-1L-PC-M20	1 007 01 0000646
2M20	H24B-SM-1L-PC-2M20	1 007 01 0000647
M25	H24B-SM-1L-PC-M25	1 007 01 0000648
2M25	H24B-SM-1L-PC-2M25	1 007 01 0000649
PG13.5	H24B-SM-1L-PC-PG13.5	1 007 01 0000650
2PG13.5	H24B-SM-1L-PC-2PG13.5	1 007 01 0000651
PG16	H24B-SM-1L-PC-PG16	1 007 01 0000652
2PG16	H24B-SM-1L-PC-2PG16	1 007 01 0000653
PG21	H24B-SM-1L-PC-PG21	1 007 01 0000654
2PG21	H24B-SM-1L-PC-2PG21	1 007 01 0000655

外壳
Housing

→ Size 24B

IP65

BEISIT®

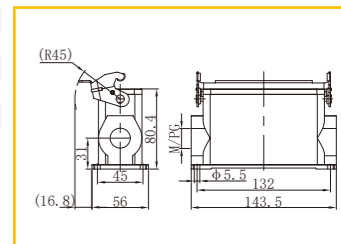
材料 Material: 金属外壳 Metal hoods

Identification	Thread	Product Model	Order No.	Dimensions mm
----------------	--------	---------------	-----------	---------------

下壳高结构 封底/Housings, surface mounting



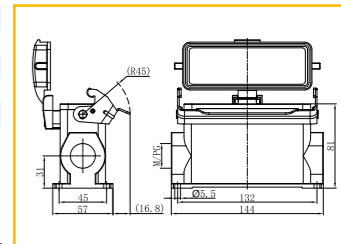
M25	H24B-SMH-1L-M25	1 007 01 0000658
2M25	H24B-SMH-1L-2M25	1 007 01 0000659
PG16	H24B-SMH-1L-PG16	1 007 01 0000660
2PG16	H24B-SMH-1L-2PG16	1 007 01 0000661
PG21	H24B-SMH-1L-PG21	1 007 01 0000662
2PG21	H24B-SMH-1L-2PG21	1 007 01 0000663



下壳高结构 封底/Housings, surface mounting



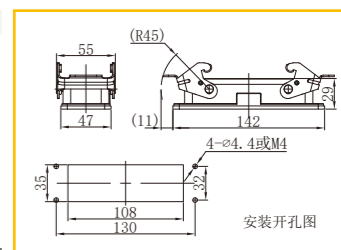
M25	H24B-SMH-1L-PC-M25	1 007 01 0000666
2M25	H24B-SMH-1L-PC-2M25	1 007 01 0000667
PG16	H24B-SMH-1L-PC-PG16	1 007 01 0000668
2PG16	H24B-SMH-1L-PC-2PG16	1 007 01 0000669
PG21	H24B-SMH-1L-PC-PG21	1 007 01 0000670
2PG21	H24B-SMH-1L-PC-2PG21	1 007 01 0000671



下壳 不封底/Housings, bulkhead mounting



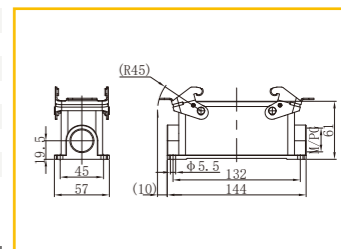
H24B-OM-2L 1 007 01 0000672



下壳 封底/Housings, surface mounting



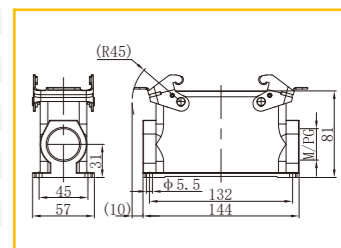
M20	H24B-SM-2L-M20	1 007 01 0000673
2M20	H24B-SM-2L-2M20	1 007 01 0000674
M25	H24B-SM-2L-M25	1 007 01 0000675
2M25	H24B-SM-2L-2M25	1 007 01 0000676
PG16	H24B-SM-2L-PG16	1 007 01 0000677
2PG16	H24B-SM-2L-2PG16	1 007 01 0000678
PG21	H24B-SM-2L-PG21	1 007 01 0000679
2PG21	H24B-SM-2L-2PG21	1 007 01 0000680



下壳高结构 封底/Housings, surface mounting



M25	H24B-SMH-2L-M25	1 007 01 0000683
2M25	H24B-SMH-2L-2M25	1 007 01 0000684
M32	H24B-SMH-2L-M32	1 007 01 0000685
2M32	H24B-SMH-2L-2M32	1 007 01 0000686
PG16	H24B-SMH-2L-PG16	1 007 01 0000687
2PG16	H24B-SMH-2L-2PG16	1 007 01 0000688
PG21	H24B-SMH-2L-PG21	1 007 01 0000689
2PG21	H24B-SMH-2L-2PG21	1 007 01 0000690
PG29	H24B-SMH-2L-PG29	1 007 01 0000691
2PG29	H24B-SMH-2L-2PG29	1 007 01 0000692



外壳

Housing

→ Size 24B

IP65

材料 Material: 金属外壳 Metal hoods

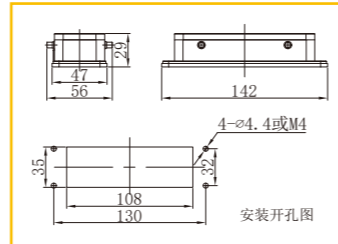
BEISIT®

Identification	Thread	Product Model	Order No.	Dimensions mm
----------------	--------	---------------	-----------	---------------

下壳 不封底/Housings, bulkhead mounting



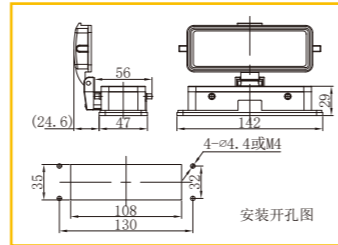
H24B-OM-4PR 1 007 01 0000693



下壳 不封底/Housings, bulkhead mounting



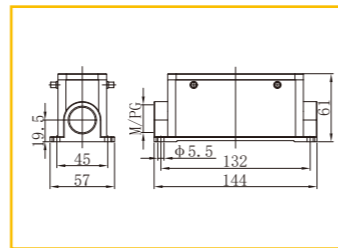
H24B-OM-4PR-PC 1 007 01 0000694



下壳 封底/Housings, surface mounting



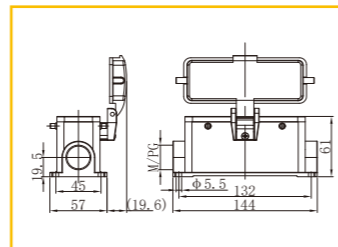
M20	H24B-SM-4PR-M20	1 007 01 0000695
2M20	H24B-SM-4PR-2M20	1 007 01 0000696
M25	H24B-SM-4PR-M25	1 007 01 0000697
2M25	H24B-SM-4PR-2M25	1 007 01 0000698
PG16	H24B-SM-4PR-PG16	1 007 01 0000699
2PG16	H24B-SM-4PR-2PG16	1 007 01 0000700
PG21	H24B-SM-4PR-PG21	1 007 01 0000701
2PG21	H24B-SM-4PR-2PG21	1 007 01 0000702



下壳 封底/Housings, surface mounting



M20	H24B-SM-4PR-PC-M20	1 007 01 0000703
2M20	H24B-SM-4PR-PC-2M20	1 007 01 0000704
M25	H24B-SM-4PR-PC-M25	1 007 01 0000705
2M25	H24B-SM-4PR-PC-2M25	1 007 01 0000706
PG13.5	H24B-SM-4PR-PC-PG13.5	1 007 01 0000707
2PG13.5	H24B-SM-4PR-PC-2PG13.5	1 007 01 0000708
PG16	H24B-SM-4PR-PC-PG16	1 007 01 0000709
2PG16	H24B-SM-4PR-PC-2PG16	1 007 01 0000710
PG21	H24B-SM-4PR-PC-PG21	1 007 01 0000711
2PG21	H24B-SM-4PR-PC-2PG21	1 007 01 0000712



外壳

Housing

→ Size 24B

IP65

材料 Material: 金属外壳 Metal hoods

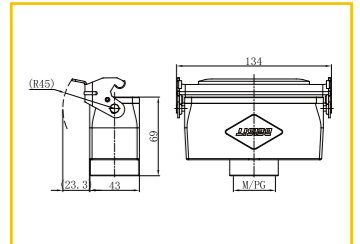
BEISIT®

Identification	Thread	Product Model	Order No.	Dimensions mm
----------------	--------	---------------	-----------	---------------

外壳 中继/Housings, cable to cable



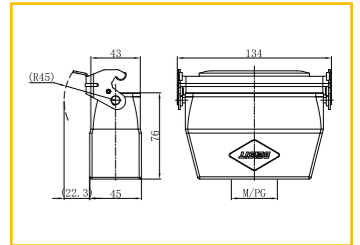
M20	H24B-CTC-1L-M20	1 007 01 0000713
M25	H24B-CTC-1L-M25	1 007 01 0000714
M32	H24B-CTC-1L-M32	1 007 01 0000715
PG13.5	H24B-CTC-1L-PG13.5	1 007 01 0000716
PG16	H24B-CTC-1L-PG16	1 007 01 0000717
PG21	H24B-CTC-1L-PG21	1 007 01 0000718
PG29	H24B-CTC-1L-PG29	1 007 01 0000719



外壳 中继/Housings, cable to cable



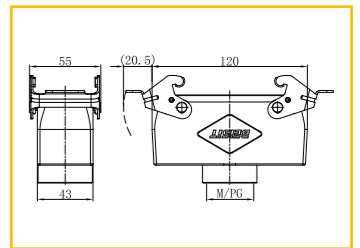
M25	H24B-CTCH-1L-M25	1 007 01 0000721
M32	H24B-CTCH-1L-M32	1 007 01 0000722
PG16	H24B-CTCH-1L-PG16	1 007 01 0000724
PG21	H24B-CTCH-1L-PG21	1 007 01 0000725
PG29	H24B-CTCH-1L-PG29	1 007 01 0000726



外壳 中继/Housings, cable to cable



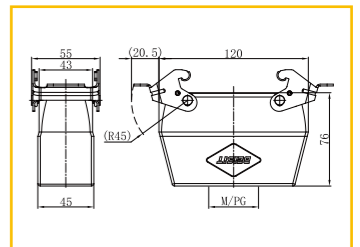
M20	H24B-CTC-2L-M20	1 007 01 0000727
M25	H24B-CTC-2L-M25	1 007 01 0000728
M32	H24B-CTC-2L-M32	1 007 01 0000729
PG13.5	H24B-CTC-2L-PG13.5	1 007 01 0000730
PG16	H24B-CTC-2L-PG16	1 007 01 0000731
PG21	H24B-CTC-2L-PG21	1 007 01 0000732
PG29	H24B-CTC-2L-PG29	1 007 01 0000733



外壳 中继/Housings, cable to cable



M25	H24B-CTCH-2L-M25	1 007 01 0000735
M32	H24B-CTCH-2L-M32	1 007 01 0000736
PG16	H24B-CTCH-2L-PG16	1 007 01 0000738
PG21	H24B-CTCH-2L-PG21	1 007 01 0000739
PG29	H24B-CTCH-2L-PG29	1 007 01 0000740




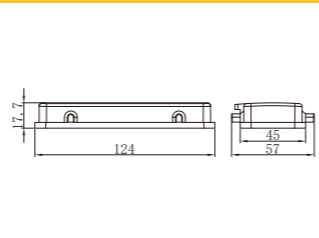

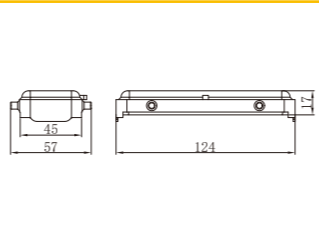

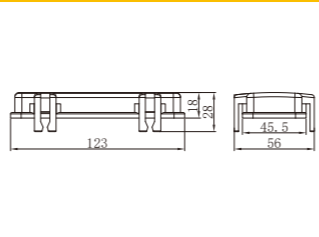

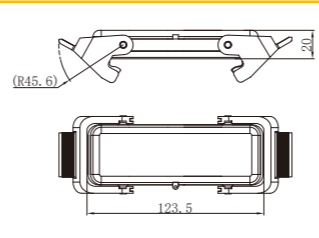
外壳
Housing

→ Size 24B

IP65

BEISIT®

材料 Material: 金属外壳 Metal hoods

Identification	Thread	Product Model	Order No.	Dimensions mm
保护盖/Protection covers				
		H24B-PC-4P	1 007 02 000069	
		H24B-PC-4P-N	1 007 02 000070	
		H24B-PC-4P-NT	1 007 02 000071	
		H24B-PC-4P-M	1 007 02 000072	
		H24B-PC-4P-MT	1 007 02 000073	
保护盖/Protection covers				
		H24B-PC2-4P-N	1 007 02 000074	
		H24B-PC2-4P-NT	1 007 02 000075	
		H24B-PC2-4P-NG	1 007 02 000076	
		H24B-PC2-4P-NTG	1 007 02 000077	
		H24B-PC2-4P-M	1 007 02 000078	
		H24B-PC2-4P-MT	1 007 02 000079	
		H24B-PC2-4P-MG	1 007 02 000080	
		H24B-PC2-4P-MTG	1 007 02 000081	
保护盖/Protection covers				
		H24B-PC-4S	1 007 02 000082	
		H24B-PC-4S-N	1 007 02 000083	
		H24B-PC-4S-NT	1 007 02 000084	
		H24B-PC-4S-M	1 007 02 000085	
		H24B-PC-4S-MT	1 007 02 000086	
保护盖/Protection covers				
		H24B-PC-2LP	1 007 02 000087	
		H24B-PC-2LP-N	1 007 02 000088	
		H24B-PC-2LP-NT	1 007 02 000089	
		H24B-PC-2LP-M	1 007 02 000090	
		H24B-PC-2LP-MT	1 007 02 000091	


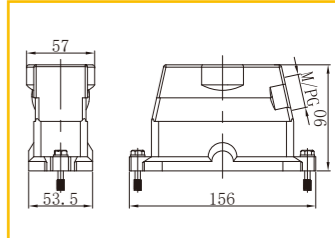

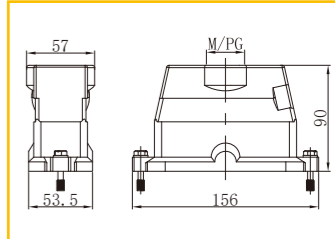
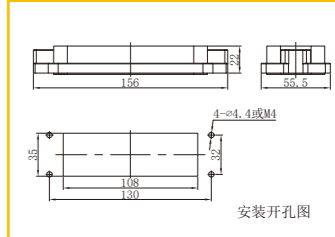
外壳
Housing

→ Size 24B

IP65

BEISIT®

材料 Material: 金属外壳 Metal hoods

Identification	Thread	Product Model	Order No.	Dimensions mm
上壳高结构 侧出线/Hoods, side entry				
	M20	H24BB-SO-2B-M20	1 007 01 0000741	
	M25	H24BB-SO-2B-M25	1 007 01 0000742	
	M32	H24BB-SO-2B-M32	1 007 01 0000743	
	PG16	H24BB-SO-2B-PG16	1 007 01 0000744	
	PG21	H24BB-SO-2B-PG21	1 007 01 0000745	
上壳高结构 顶出线/Hoods,top entry				
	M20	H24BB-TO-2B-M20	1 007 01 0000746	
	M25	H24BB-TO-2B-M25	1 007 01 0000747	
	M32	H24BB-TO-2B-M32	1 007 01 0000748	
	PG16	H24BB-TO-2B-PG16	1 007 01 0000749	
	PG21	H24BB-TO-2B-PG21	1 007 01 0000750	
下壳 不封底/Housings, bulkhead mounting				
		H24BB-OM-2BH	1 007 01 0000751	

外壳
Housing

→ Size 32B

IP65

材料 Material: 金属外壳 Metal hoods

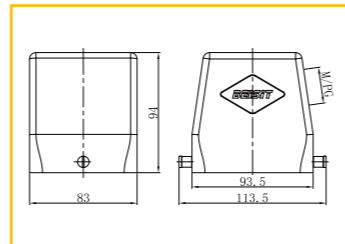
BEISIT®

Identification	Thread	Product Model	Order No.	Dimensions mm
----------------	--------	---------------	-----------	---------------

上壳 侧出线/Hoods, side entry



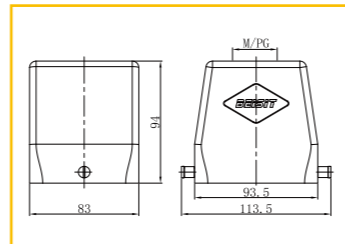
M32	H32B-SO-2PR-M32	1 007 01 0000752
M40	H32B-SO-2PR-M40	1 007 01 0000753
M50	H32B-SO-2PR-M50	1 007 01 0000754
PG21	H32B-SO-2PR-PG21	1 007 01 0000755
PG29	H32B-SO-2PR-PG29	1 007 01 0000756
PG36	H32B-SO-2PR-PG36	1 007 01 0000757
PG42	H32B-SO-2PR-PG42	1 007 01 0000758



上壳 顶出线/Hoods, top entry



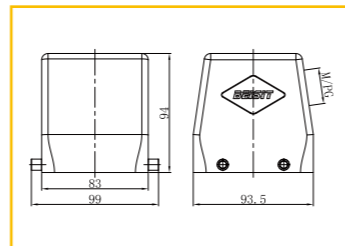
M32	H32B-TO-2PR-M32	1 007 01 0000759
M40	H32B-TO-2PR-M40	1 007 01 0000760
M50	H32B-TO-2PR-M50	1 007 01 0000761
PG21	H32B-TO-2PR-PG21	1 007 01 0000762
PG29	H32B-TO-2PR-PG29	1 007 01 0000763
PG36	H32B-TO-2PR-PG36	1 007 01 0000764
PG42	H32B-TO-2PR-PG42	1 007 01 0000765



上壳 侧出线/Hoods, side entry



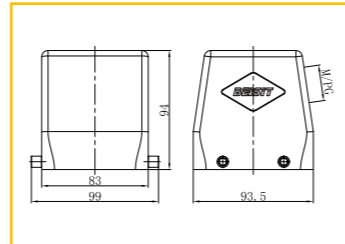
M32	H32B-SO-4PR-M32	1 007 01 0000766
M40	H32B-SO-4PR-M40	1 007 01 0000767
M50	H32B-SO-4PR-M50	1 007 01 0000768
PG21	H32B-SO-4PR-PG21	1 007 01 0000769
PG29	H32B-SO-4PR-PG29	1 007 01 0000770
PG36	H32B-SO-4PR-PG36	1 007 01 0000771
PG42	H32B-SO-4PR-PG42	1 007 01 0000772



上壳 顶出线/Hoods, top entry



M32	H32B-TO-4PR-M32	1 007 01 0000773
M40	H32B-TO-4PR-M40	1 007 01 0000774
M50	H32B-TO-4PR-M50	1 007 01 0000775
PG21	H32B-TO-4PR-PG21	1 007 01 0000776
PG29	H32B-TO-4PR-PG29	1 007 01 0000777
PG36	H32B-TO-4PR-PG36	1 007 01 0000778
PG42	H32B-TO-4PR-PG42	1 007 01 0000779

外壳
Housing

→ Size 32B

IP65

材料 Material: 金属外壳 Metal hoods

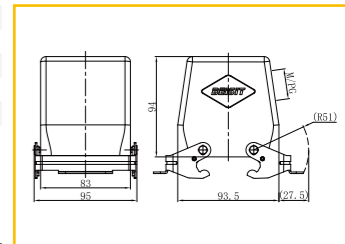
BEISIT®

Identification	Thread	Product Model	Order No.	Dimensions mm
----------------	--------	---------------	-----------	---------------

上壳 侧出线/Hoods, side entry



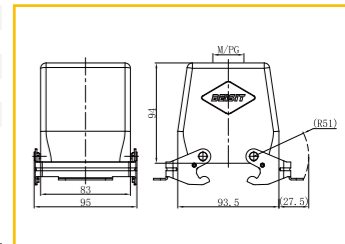
M32	H32B-SO-2L-M32	1 007 01 0000780
M40	H32B-SO-2L-M40	1 007 01 0000781
M50	H32B-SO-2L-M50	1 007 01 0000782
PG29	H32B-SO-2L-PG29	1 007 01 0000783
PG36	H32B-SO-2L-PG36	1 007 01 0000784
PG42	H32B-SO-2L-PG42	1 007 01 0000785



上壳 顶出线/Hoods, top entry



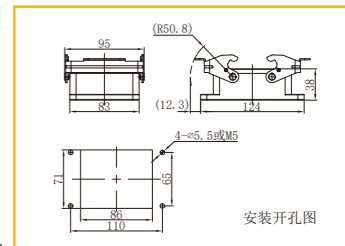
M32	H32B-TO-2L-M32	1 007 01 0000786
M40	H32B-TO-2L-M40	1 007 01 0000787
M50	H32B-TO-2L-M50	1 007 01 0000788
PG29	H32B-TO-2L-PG29	1 007 01 0000789
PG36	H32B-TO-2L-PG36	1 007 01 0000790
PG42	H32B-TO-2L-PG42	1 007 01 0000791



下壳 不封底/Housings, bulkhead mounting



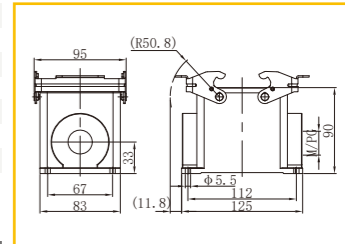
H32B-OM-2L	1 007 01 0000792
------------	------------------



下壳 封底/Housings, surface mounting



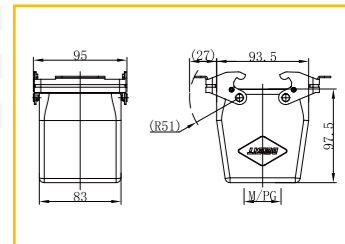
M32	H32B-SM-2L-M32	1 007 01 0000793
2M32	H32B-SM-2L-2M32	1 007 01 0000794
M40	H32B-SM-2L-M40	1 007 01 0000795
2M40	H32B-SM-2L-2M40	1 007 01 0000796
PG29	H32B-SM-2L-PG29	1 007 01 0000797
2PG29	H32B-SM-2L-2PG29	1 007 01 0000798
PG36	H32B-SM-2L-PG36	1 007 01 0000799
2PG36	H32B-SM-2L-2PG36	1 007 01 0000800



外壳 中继/Housings, cable to cable



M32	H32B-CTC-2L-M32	1 007 01 0000801
M40	H32B-CTC-2L-M40	1 007 01 0000802
M50	H32B-CTC-2L-M50	1 007 01 0000803
PG29	H32B-CTC-2L-PG29	1 007 01 0000804
PG36	H32B-CTC-2L-PG36	1 007 01 0000805
PG42	H32B-CTC-2L-PG42	1 007 01 0000806



外壳
Housing

→ Size 32B

IP65

BEISIT®

材料 Material: 金属外壳 Metal hoods

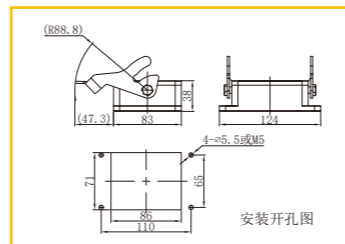
Identification	Thread	Product Model	Order No.	Dimensions mm
----------------	--------	---------------	-----------	---------------

下壳 不封底/Housings, bulkhead mounting



H32B-OM-1L

1 007 01 0000807

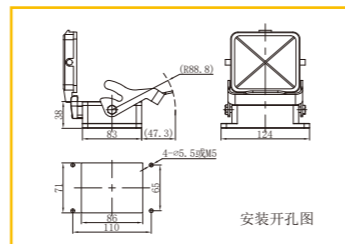


下壳 不封底/Housings, bulkhead mounting



H32B-OM-1L-PC

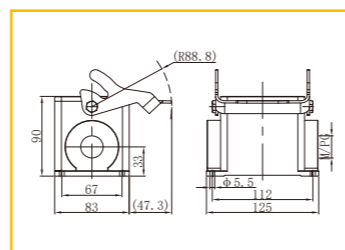
1 007 01 0000808



下壳 封底/Housings, surface mounting



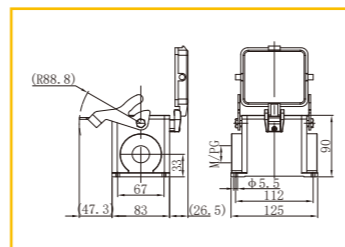
M25	H32B-SM-1L-M25	1 007 01 0000809
2M25	H32B-SM-1L-2M25	1 007 01 0000810
M32	H32B-SM-1L-M32	1 007 01 0000811
2M32	H32B-SM-1L-2M32	1 007 01 0000812
M40	H32B-SM-1L-M40	1 007 01 0000813
2M40	H32B-SM-1L-2M40	1 007 01 0000814
PG29	H32B-SM-1L-PG29	1 007 01 0000815
2PG29	H32B-SM-1L-2PG29	1 007 01 0000816
PG36	H32B-SM-1L-PG36	1 007 01 0000817
2PG36	H32B-SM-1L-2PG36	1 007 01 0000818



下壳 封底/Housings, surface mounting



M25	H32B-SM-1L-PC-M25	1 007 01 0000819
2M25	H32B-SM-1L-PC-2M25	1 007 01 0000820
M32	H32B-SM-1L-PC-M32	1 007 01 0000821
2M32	H32B-SM-1L-PC-2M32	1 007 01 0000822
M40	H32B-SM-1L-PC-M40	1 007 01 0000823
2M40	H32B-SM-1L-PC-2M40	1 007 01 0000824
PG29	H32B-SM-1L-PC-PG29	1 007 01 0000825
2PG29	H32B-SM-1L-PC-2PG29	1 007 01 0000826
PG36	H32B-SM-1L-PC-PG36	1 007 01 0000827
2PG36	H32B-SM-1L-PC-2PG36	1 007 01 0000828

外壳
Housing

→ Size 32B

IP65

BEISIT®

材料 Material: 金属外壳 Metal hoods

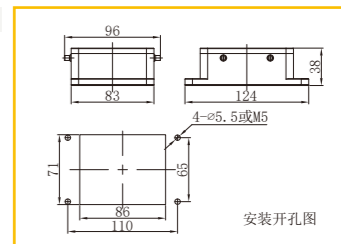
Identification	Thread	Product Model	Order No.	Dimensions mm
----------------	--------	---------------	-----------	---------------

下壳 不封底/Housings, bulkhead mounting



H32B-OM-4PR

1 007 01 0000829

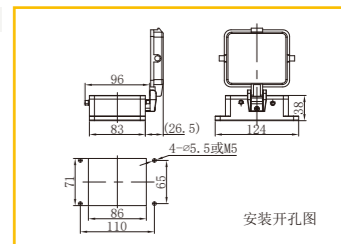


下壳 不封底/Housings, bulkhead mounting



H32B-OM-4PR-PC

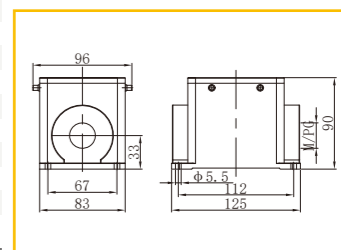
1 007 01 0000830



下壳 封底/Housings, surface mounting



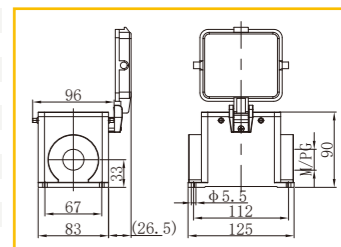
M25	H32B-SM-4PR-M25	1 007 01 0000831
2M25	H32B-SM-4PR-2M25	1 007 01 0000832
M32	H32B-SM-4PR-M32	1 007 01 0000833
2M32	H32B-SM-4PR-2M32	1 007 01 0000834
M40	H32B-SM-4PR-M40	1 007 01 0000835
2M40	H32B-SM-4PR-2M40	1 007 01 0000836
PG29	H32B-SM-4PR-PG29	1 007 01 0000837
2PG29	H32B-SM-4PR-2PG29	1 007 01 0000838
PG36	H32B-SM-4PR-PG36	1 007 01 0000839
2PG36	H32B-SM-4PR-2PG36	1 007 01 0000840



下壳 封底/Housings, surface mounting



M25	H32B-SM-4PR-PC-M25	1 007 01 0000841
2M25	H32B-SM-4PR-PC-2M25	1 007 01 0000842
M32	H32B-SM-4PR-PC-M32	1 007 01 0000843
2M32	H32B-SM-4PR-PC-2M32	1 007 01 0000844
M40	H32B-SM-4PR-PC-M40	1 007 01 0000845
2M40	H32B-SM-4PR-PC-2M40	1 007 01 0000846
PG29	H32B-SM-4PR-PC-PG29	1 007 01 0000847
2PG29	H32B-SM-4PR-PC-2PG29	1 007 01 0000848
PG36	H32B-SM-4PR-PC-PG36	1 007 01 0000849
2PG36	H32B-SM-4PR-PC-2PG36	1 007 01 0000850




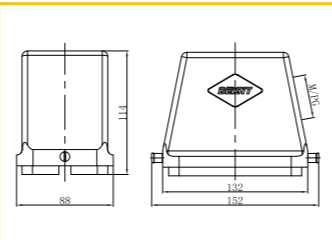
外壳
Housing

→ Size 48B


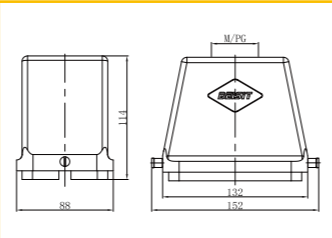
IP65

BEISIT®

材料 Material: 金属外壳 Metal hoods

Identification	Thread	Product Model	Order No.	Dimensions mm
上壳 侧出线/Hoods, side entry				
	M32	H48B-SO-2PR-M32	1 007 01 0000851	
	M40	H48B-SO-2PR-M40	1 007 01 0000852	
	M50	H48B-SO-2PR-M50	1 007 01 0000853	
	PG29	H48B-SO-2PR-PG29	1 007 01 0000854	
	PG36	H48B-SO-2PR-PG36	1 007 01 0000855	
	PG42	H48B-SO-2PR-PG42	1 007 01 0000856	

上壳 顶出线/Hoods, top entry

	M32	H48B-TO-2PR-M32	1 007 01 0000857	
	M40	H48B-TO-2PR-M40	1 007 01 0000858	
	M50	H48B-TO-2PR-M50	1 007 01 0000859	
	PG29	H48B-TO-2PR-PG29	1 007 01 0000860	
	PG36	H48B-TO-2PR-PG36	1 007 01 0000861	
	PG42	H48B-TO-2PR-PG42	1 007 01 0000862	


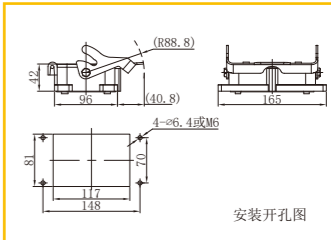
外壳
Housing

→ Size 48B

IP65

BEISIT®


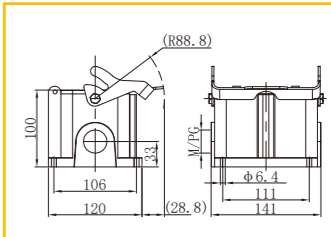
材料 Material: 金属外壳 Metal hoods

Identification	Thread	Product Model	Order No.	Dimensions mm
下壳 不封底/Housings, bulkhead mounting				
		H48B-OM-1L	1 007 01 0000863	


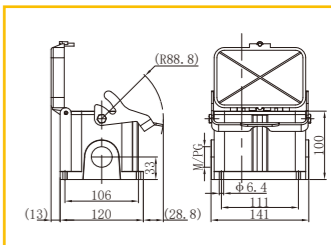
下壳 不封底/Housings, bulkhead mounting

		H48B-OM-1L-PC	1 007 01 0000864	

下壳 封底/Housings, surface mounting

	M25	H48B-SM-1L-M25	1 007 01 0000865	
	2M25	H48B-SM-1L-2M25	1 007 01 0000866	
	M32	H48B-SM-1L-M32	1 007 01 0000867	
	2M32	H48B-SM-1L-2M32	1 007 01 0000868	
	M40	H48B-SM-1L-M40	1 007 01 0000869	
	2M40	H48B-SM-1L-2M40	1 007 01 0000870	
	PG29	H48B-SM-1L-PG29	1 007 01 0000871	
	2PG29	H48B-SM-1L-2PG29	1 007 01 0000872	
	PG36	H48B-SM-1L-PG36	1 007 01 0000873	
	2PG36	H48B-SM-1L-2PG36	1 007 01 0000874	

下壳 封底/Housings, surface mounting

	M25	H48B-SM-1L-PC-M25	1 007 01 0000875	
	2M25	H48B-SM-1L-PC-2M25	1 007 01 0000876	
	M32	H48B-SM-1L-PC-M32	1 007 01 0000877	
	2M32	H48B-SM-1L-PC-2M32	1 007 01 0000878	
	M40	H48B-SM-1L-PC-M40	1 007 01 0000879	
	2M40	H48B-SM-1L-PC-2M40	1 007 01 0000880	
	PG29	H48B-SM-1L-PC-PG29	1 007 01 0000881	
	2PG29	H48B-SM-1L-PC-2PG29	1 007 01 0000882	
	PG36	H48B-SM-1L-PC-PG36	1 007 01 0000883	
	2PG36	H48B-SM-1L-PC-2PG36	1 007 01 0000884	

HC塑料外壳

Plastic Hoods & Housings

→ HC

IP65

材料 Material: 金属外壳 Metal hoods

Identification	Thread	Product Model	Order No.	Dimensions mm																														
上壳 侧出线/Hoods, side entry	M25	HCP-SO-2P-M25	1 007 10 0000002																															
上壳 顶出线/Hoods, top entry	M25	HCP-TO-2P-M25	1 007 10 0000004																															
	PG16	HCP-TO-2P-PG16	1 007 10 0000003																															
	PG21	HCP-TO-2P-PG21	1 007 10 0000005																															
下壳 不封底/Housings, bulkhead mounting		HCP-BK-1L	1 007 10 0000009																															
电缆接头 用于上壳/Cable gland, for housings	M25	WNAPC-M25B(D6.5-9.5)	102 112 018 2002																															
	M25	WNAPC-M25B(D10.5-14)	102 112 018 2004																															
	M25	WNAPC-M25B(D14-17)	102 112 018 2006																															
	PG16	WNAPC-PG16B(D11.5-15.5)	102 112 005 2002																															
	PG21	WNAPC-PG21B(D14-18)	102 112 006 2002																															
	PG21	WNAPC-PG21B(D17-20.5)	102 112 006 2004	<table border="1"> <thead> <tr> <th rowspan="2"></th> <th colspan="2">cable</th> <th rowspan="2">SW</th> </tr> <tr> <th>min.</th> <th>max.</th> </tr> </thead> <tbody> <tr> <td>WNAPC-M25B/ (D6.5-9.5)</td> <td>6.5 mm</td> <td>9.5 mm</td> <td>30</td> </tr> <tr> <td>WNAPC-M25B/ (D10.5-14)</td> <td>10.5 mm</td> <td>14 mm</td> <td>30</td> </tr> <tr> <td>WNAPC-M25B/ (D14-17)</td> <td>14 mm</td> <td>17 mm</td> <td>30</td> </tr> <tr> <td>WNAPC-PG16B/ (D11.5-15.5)</td> <td>11.5 mm</td> <td>15.5 mm</td> <td>27</td> </tr> <tr> <td>WNAPC-PG21B/ (D14-18)</td> <td>14 mm</td> <td>18 mm</td> <td>33</td> </tr> <tr> <td>WNAPC-PG21B/ (D17-20.5)</td> <td>17 mm</td> <td>20.5 mm</td> <td>33</td> </tr> </tbody> </table>		cable		SW	min.	max.	WNAPC-M25B/ (D6.5-9.5)	6.5 mm	9.5 mm	30	WNAPC-M25B/ (D10.5-14)	10.5 mm	14 mm	30	WNAPC-M25B/ (D14-17)	14 mm	17 mm	30	WNAPC-PG16B/ (D11.5-15.5)	11.5 mm	15.5 mm	27	WNAPC-PG21B/ (D14-18)	14 mm	18 mm	33	WNAPC-PG21B/ (D17-20.5)	17 mm	20.5 mm	33
	cable		SW																															
	min.	max.																																
WNAPC-M25B/ (D6.5-9.5)	6.5 mm	9.5 mm	30																															
WNAPC-M25B/ (D10.5-14)	10.5 mm	14 mm	30																															
WNAPC-M25B/ (D14-17)	14 mm	17 mm	30																															
WNAPC-PG16B/ (D11.5-15.5)	11.5 mm	15.5 mm	27																															
WNAPC-PG21B/ (D14-18)	14 mm	18 mm	33																															
WNAPC-PG21B/ (D17-20.5)	17 mm	20.5 mm	33																															

工具

Tools



退针器

适用于16A接触件

型号: BST-TZ01

订货号: 1 003 01 0000002

Removal tool

Applicable to 16A contact

Designation:BST-TZ01

Order No.1 003 01 0000002



冷压钳

适用于接触件压接

型号: BST-SLY01

订货号: 1 003 03 0000001

Crimping tool

Suitable for contact crimping

Designation:BST-SLY01

Order No.1 003 03 0000001



退针器

适用于10A接触件

型号: BST-TZ02

订货号: 1 003 01 0000003

Removal tool

Applicable to 10A contact

Designation:BST-TZ02

Order No.1 003 01 0000003



气动压接钳

适用于接触件压接

型号: BST-QLY01

订货号: 1 003 03 0000002

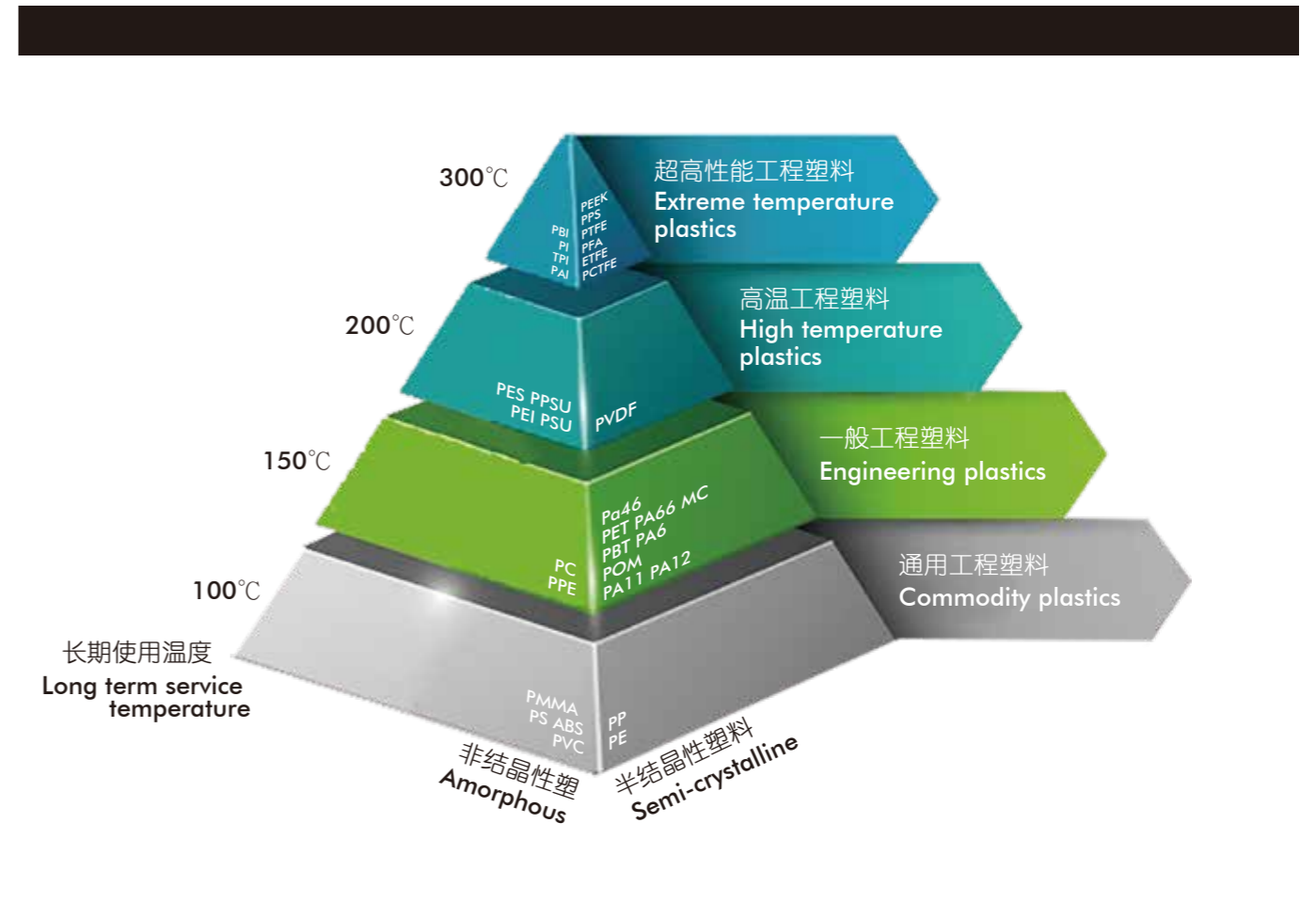
Pneumatic Crimping Tool

Suitable for contact crimping

Designation:BST-QLY01

Order No.1 003 03 0000002

材料名称 Material brand no.	材料特性 Material Characteristics	应用 Application
纯铜 Pure Copper	含铜量最高的铜，呈紫红色又称紫铜。 Pure copper is the copper with the highest copper content, and it is purple-red, also known as red copper.	纯铜的电导率和热导率仅次于纯银，具有很好的导电和导热性能，常用于制造电线、电缆、电刷和制造须防磁性干扰的磁学仪器、仪表等。 The electrical conductivity and thermal conductivity of pure copper is second only to pure silver, and it has good electrical and thermal conductivity. It is often used in the manufacture of wires, cables, brushes, and the manufacture of magnetic instruments and meters that must be protected from magnetic interference.
黄铜 Brass	由铜和锌为主要元素所组成的合金材料，呈金黄色。 由铜、锌两种元素组成的铜合金称为普通黄铜，主要用于制造阀门、水管和散热器等。 Brass is an alloy material composed of copper and zinc as the main elements, and it is golden yellow color. The copper alloy composed of copper and zinc is called common brass, which is mainly used to make valves, water pipes, and radiators.	由两种（如：铜、锌、铅、锡、锰、镍、铁、硅等）以上元素组成的铜合金称为特殊黄铜，它强度高、硬度大、耐化学腐蚀，易切削、耐磨，机械性能突出，主要用于铸造、机加黄铜零件等。 The copper alloy composed of two elements (such as copper, zinc, lead, tin, manganese, nickel, iron, silicon, etc.) is called special brass. It has high strength, high hardness, chemical corrosion resistance, easy cutting, and resistance. Grinding, outstanding mechanical properties, mainly used for casting, machined brass parts, etc.
白铜 Cupronickel	由铜和镍为主要元素所组成的合金材料，呈银白色。 由铜、镍两种元素组成的铜合金称为普通白铜。 由两种（如：铜、镍、锰、铁、锌、铝等）以上元素组成的铜合金称为特殊复杂白铜。 Cupronickel is an alloy material composed of copper and nickel as the main elements, and it is silver-white color. The copper alloy composed of copper and nickel is called common cupronickel. Copper alloys composed of two elements (such as copper, nickel, manganese, iron, zinc, aluminum, etc.) are called special complex cupronickel.	工业用白铜分为结构白铜和电工白铜两大类：结构白铜机械性能好、耐腐蚀性、色泽美观，主要用于制造精密机械、配件、化工机械和船舶构件等；电工白铜具有良好的热电性能（如：锰铜、康铜、考铜），主要用于制造精密电工仪器、变阻器、精密电阻、应变片、热电偶等。 Industrial cupronickel is divided into two categories: structural cupronickel and electrical cupronickel: structural cupronickel has good mechanical properties, corrosion resistance, and beautiful color. It is mainly used to manufacture precision machinery, accessories, chemical machinery, and ship components; electrical cupronickel has good thermoelectric properties (Such as manganese bronze, constantan, copper), mainly used to manufacture precision electrical instruments, varistors, precision resistors, strain gauges, thermocouples, etc.
青铜 Bronze	由铜和锡或铅为主要元素所组成的合金材料，是除黄铜、白铜以外的第三类铜合金。 青铜具有低熔点、硬度高、可塑性强、耐磨、耐腐蚀、色泽光亮等特点，主要用于铸造各种器具、机械零件等。 Bronze is an alloy material composed of copper and tin or leads as the main elements. It is the third type of copper alloy except for brass and cupronickel. Bronze has the characteristics of low melting point, high hardness, strong plasticity, wear resistance, corrosion resistance, and bright color. It is mainly used for casting various appliances and mechanical parts.	添加其它主要元素的青铜合金可用于特定的行业，如：适用于机械行业的锡青铜、铅青铜、铝青铜；适用于电子行业的磷青铜、铍青铜。 Bronze alloys with other main elements added can be used in specific industries, such as tin bronze, lead bronze, and aluminum bronze for the machinery industry; phosphor bronze and beryllium bronze for the electronics industry.
奥氏体不锈钢 Austenitic stainless steel	奥氏体不锈钢是指在常温下具有奥氏体组织的不锈钢。奥氏体不锈钢无磁性而且具有高韧性和塑性，但强度较低不能通过相变使之强化，仅能通过冷加工进行强化。 Austenitic stainless steel refers to stainless steel that has an austenitic structure at room temperature. Austenitic stainless steel is non-magnetic and has high toughness and plasticity, but its strength is low and cannot be strengthened by phase transformation. It can only be strengthened by cold working.	奥氏体不锈钢极好的抗腐蚀能力和良好的易切削性，其全面的和良好的综合性能，在各行各业中被广泛应用。 Austenitic stainless steel has excellent corrosion resistance and good machinability, and its comprehensive and good comprehensive properties are widely used in all walks of life.
马氏体不锈钢 Martensitic stainless steel	马氏体不锈钢是指在常温下具有马氏体组织的不锈钢。马氏体不锈钢具有弱磁性，马氏体不锈钢是一种可以通过热处理（淬火、回火）对其性能进行调整的不锈钢。 Martensitic stainless steel refers to stainless steel that has an martensitic structure at room temperature. Martensitic stainless steel is weak and non-magnetic. Martensitic stainless steel is a kind of stainless steel whose properties can be adjusted by heat treatment (quenching and tempering).	马氏体不锈钢良好的抗腐蚀能力，主要用于有防腐蚀及需要零件热处理要求的场合。 Martensitic stainless steel has good corrosion resistance and is mainly used in applications where corrosion protection and heat treatment of parts are required.



材料名称 Material brand no.	材料特性 Material Characteristics
结晶性塑料 Crystalline Plastics	有明显熔点(Tm)，固体时分子呈规则排列，强度较强，拉力也较强。熔解时比容变化大，固化后较易收缩，内应力不易释放出来，成品不透明，成形中散热慢，冷模生产之日后收缩较大，热模生产之日后收缩较小。 Crystalline plastic have a clear melting point (Tm), and when they are in a solid state, the molecules are arranged regularly, with strong strength and strong tensile force. The specific volume changes greatly during melting, it is easier to shrink after solidification, the internal stress is not easy to release, the finished product is opaque, the heat dissipation is slow during forming, the shrinkage is larger after the production of cold molds, and the shrinkage is smaller after the production of hot molds.
非结晶性塑料 Noncrystalline Plastics	无明显熔点，固体时分子呈不规则排列，熔解时比容变化不大，固化后不易收缩，成品透明性佳，料温越高色泽越黄，成形中散热快。 Noncrystalline plastic has no obvious melting point. When the state is solid, the molecules are arranged irregularly. The specific volume changes little when melted. It is not easy to shrink after solidification. The finished product has good transparency. The higher the material temperature, the yellower the color and the faster the heat dissipation during forming.

Product introduction

Contact inserts

Housing

Tools

Technical guidance

Index

Product introduction

Contact inserts

Housing

Tools

Technical guidance

Index

结晶性塑料与非结晶性塑料性能差异 Performance difference between

物性 Physical Properties		结晶性 Crystallinity	非结晶性 non-crystallinity
比重 Specific Gravity		较高 Higher	较低 Lower
拉伸强度 Tensile Strength		较高 Higher	较低 Lower
拉伸模数 Tensile Modulus		较高 Higher	较低 Lower
延展性或伸长率 Tensile Elongation		较低 Lower	较高 Higher
耐冲击性 Impact Resistance		较低 Lower	较高 Higher
最高使用温度 The Maximun Temperature		较高 Higher	较低 Lower
收缩率及翘曲 Shrinkage and Tlexural		较高 Higher	较低 Lower
流动性 Mobility		较高 Higher	较低 Lower
耐化学性 Chemical Resistance		较高 Higher	较低 Lower
耐磨耗性 Wear Resistance		较高 Higher	较低 Lower
抗蠕变性 Creep		较高 Higher	较低 Lower
硬度 Hardness		较高 Higher	较低 Lower
透明度 Transparency		较低 Lower	较高 Higher
添加玻纤增强效果 Glass-fiber Reinforced		较高 Higher	较低 Lower
尺寸安定性 Dimensional Stability		较差 Worse	较佳 Better
着色性 Colorability		较难 Harder	较易 Easier
耐热性 Heat Resistance		较高 Higher	较低 Lower

第一位数码(防止固体异物进入) First digit(Prevent solid foreignt matter from enetering)			第二位数码(防止进水造成有害影响) Second digit(To preveng water)		
IP	要求 Require	示例 Example	IP	要求 Require	示例 Example
0	无防护 No protection against water		0	无防护 No protection against water	无防护 No protection against water
1	直径50mm 以上的球形物体不得完全进入, 手掌手背不得触及危险部件。 Protection against contact with any large area by hand and against large solid foreign bodies with $\varnothing > 50\text{mm}$.		1	防止垂直下滴水, 允许少量水进入。 Protection against vertical water drips.	
2	直径12.5mm 以上的球形物体不得完全进入, 手指不得触及危险部件。 Protection against contact with the fingers Protection against solid Foreign bodieswith $\varnothing > 12.5\text{mm}$.		2	防止当外壳在15° 范围内倾斜时垂直下滴水, 允许少量水进入。 Protection against water Drips (up to a 15° angle).	
3	直径2.5mm 以上的工具和球形物体不得进入, 如螺丝刀。 Protection against tools wires or similar objects with $\varnothing > 2.5\text{mm}$, protection against smail foreign solid bodies with $\varnothing 2.5\text{mm}$.		3	防止与垂直面成60° 范围内的淋水, 允许少量水进入。 Protection against diagonal water drips(up to a 60°angle).	
4	直径1mm 以上的工具和球形物体不得进入, 如金属丝。 Protection against grain-shaped foreign bodies.		4	防止任何方向内的溅水, 允许少量水进入。 Protection against Splashed water from all directions.	
5	允许有限的灰尘掉入(没有有害沉淀)。 Full protection against contact. Protection Against interior injurious dust deposits.		5	防止喷水, 允许少量水进入。(out of a nozzle)From all directions.	
6	完全防止灰尘进入。 Total protectiuvon against contact. Protection against penetration of dust.		6	防止强烈喷水, 允许少量水进入。(out of a nozzle) from all directions.	
			7	防止在15mm-1m深的短时浸水。 Protected against temporary immersion.	
			8	防止在15mm-1m深的长时浸水。 Protected against water pressure.	

污染等级分类 Pollution degree

微观环境决定污染对绝缘的影响。然而在考虑微观环境时必须注意到宏观环境，有效地使用封闭式外壳等措施可减少绝缘的污染，但这些减少污染的措施对设备凝露或正常运行中其本身产生的污染可能无效。

The micro-environment determines the effect of pollution on the insulation. The macro-environment, however, has to be taken into account when considering the micro-environment. Means may be provided to reduce pollution at the insulation under consideration by effective use of enclosures, encapsulation or hermetic sealing. Such means to reduce pollution may not be effective when the equipment is subject to condensation or if, in normal operation, it generates pollutants itself.

在潮湿的情况下污染物（水、油烟、金属尘埃、碳尘埃）将会变为导电性污染。

Pollution will become conductive in the presence of humidity. Pollution caused by contaminated water, soot, metal or carbon dust is inherently conductive.

在特定的情况下电离气体或金属沉积物同样会引起导电性污染。

Conductive pollution by ionized gasses and metallic deposits occurs only on specific instances.

污染等级 I Pollution degree 1	无污染或仅有干燥的、非导电性的污染，该污染没有任何影响。 如计算机和测量仪器室等干净、干燥的房间。 No pollution or only dry, non-conductive pollution occurs, this pollution has no influence. For example, clean, dry rooms, such as computer and measuring instrument rooms.
污染等级 II Pollution degree 2	一般仅有非导电性污染，然而必须预期到凝露会偶尔发生短暂的导电性污染。 如住宅、销售和其他商业场所，精密工程车间、实验室、测试室、医疗用途的房间。 Generally, only non-conductive pollution occurs except that occasionally a temporary conductivity caused by condensation is to be expected. Such as in residential, sales and other business premises, precision engineering workshops, laboratories, testing bays and rooms for medical purposes.
污染等级 III Pollution degree 3	有导电性污染或由预期的凝露使干燥的非导电性污染变为导电性污染。 如用于工业、商业和农业处所、未加热的储藏室、车间或锅炉房，安装在机床设备上的电气设施。 Conductive pollution occurs or dry non-conductive pollution which becomes conductive due to condensation which is to be expected. Such as electrical facilities used in industrial, commercial and agricultural places, unheated storage rooms, workshops or boiler rooms, installed on machine tool equipment.
污染等级 IV Pollution degree 4	造成持久的导电性污染，例如由于导电尘埃或雨或其它潮湿条件所引起的污染。 如在室外或外部区域，安装在机车或有轨电车车顶上的设备。 Continuous conductivity occurs due to conductive dust, rain or other wet conditions. Such as in outdoor or exterior areas such as equipment mounted on the roofs of locomotives or tramcars.

不同过电压控制方式的电源系统的标称电压 Nominal voltage of power system with different overvoltage control methods

表1. 内在控制或相当的保护控制 Internal control or equivalent protective control

从交流或直流标称电压 导出线对中性点电压 ¹⁾ (小于或等于) 单位:V Voltage line to-neutral derived from nominal voltages A.C. or D.C. (up to and including) Unit: V	世界上目前使用的标称电压 Nominal voltage presently used in the world				设备额定冲击电压 ¹⁾ / V Rated impulse voltage for equipment			
	三相四线系统 中性点接地 单位:V Three-phase 4-wire systems with earthed neutral Unit: V	三相三线系统 不接地 单位:V Three-phase 3-wire systems earthed or unearthed Unit: V	单相二线系统 交流或直流 单位:V Single-phase 2-wire systems A.C. or D.C. Unit: V	单相三线系统 交流或直流 单位:V Single-phase 3-wire systems A.C. or D.C. Unit: V	过电压类别 单位:V Overvoltage category Unit: V			
					I	II	III	IV
50			12.5, 24, 25, 30, 42, 48	30~60	330	500	800	1500
100	66/115	66	60		500	800	1500	2500
150	120/208*, 127/220	115, 120, 127	100**, 110, 120	100~200**, 110~220, 120~240	800	1500	2500	4000
300	220/380, 230/400, 240/415, 260/440, 277/480	200**, 220, 230, 240, 260, 277, 347, 380, 400, 415, 440, 480	220	220~440	1500	2500	4000	6000
600	347/600, 380/660, 400/690, 417/720, 480/830	500, 577, 600	480	480~960	2500	4000	6000	8000
1000		660, 690, 720, 830, 1000	1000		4000	6000	8000	12000

· 美国和加拿大实施 **日本实施 · Practice in the U.S.A and in Canada **Practice in Japan

过电压类别 I 的设备是连接至具有限制瞬时过电压至相当低水平措施的电路设备，这些措施应确保能够充分限制所产生的暂时过电压。
如：保护电子线路达到此水平的设备。

Equipment of overvoltage category I is connected to circuit equipment with measures to limit instantaneous overvoltage to a relatively low level, these measures should be sufficiently restricted to ensure that the generated temporary overvoltage.
Such as: a equipment that protects electronic circuits up to this level.

过电压类别 II 的设备是固定式配电装置供电的耗能设备。

如：器具、可移动工具及其它家用和类似用途负载。

Equipment of overvoltage category II is energy-consuming equipment supplied by fixed power distribution devices.
Such as: appliances, movable tools and other household and similar loads.

过电压类别 III 的设备是固定式配电装置中的设备，以及设备的可靠性和适用性必需符合特殊要求。

如：安装在固定式配电装置中的开关电器和永久连接至固定式配电装置的工业用设备。

Equipment of overvoltage category III is equipment in fixed power distribution devices, and the reliability and applicability of the equipment must meet special requirements.
Such as: switching appliances installed in fixed power distribution devices and industrial equipment permanently connected to fixed power distribution devices.

过电压类别 IV 的设备是使用在配电装置电源端的设备。

如：测量仪和前级过流保护设备。

Equipment of overvoltage category IV is the equipment used at the power supply side of the power distribution device.
Such as: measuring instrument and front-level overcurrent protection equipment.

冷压连接时压接部分抗张强度 Tensile strength of crimping part during cold press connection

导线导体规格 Conductor cross-section		抗张强度 N Tensile strength N
mm ²	AWG	
0.05	30	6
0.08	28	11
0.12	26	15
0.14	/	18
0.22	24	28
0.25	/	32
0.32	22	40
0.5	20	60
0.75	/	85
0.82	18	90
1.0	/	108
1.3	16	135
1.5	/	150
2.1	14	200
2.5	/	230
3.3	12	275
4.0	/	310
5.3	10	355
6.0	/	360
8.4	8	370
10.0	/	380

型号 Product model	货号 Order No.	页码 Page	型号 Product model	货号 Order No.	页码 Page
BST-QLY01	1 003 03 0000002	167	DGM-0.75	1 007 06 0000017	43
BST-SLY01	1 003 03 0000001	167	DGM-1.0	1 007 06 0000018	43
BST-TZ01	1 003 01 0000002	167	DGM-1.5	1 007 06 0000019	43
BST-TZ02	1 003 01 0000003	167	DGM-2.5	1 007 06 0000020	43
CGF40-1.5	1 007 07 0000040	88	DSF-0.37	1 007 07 0000009	43
CGF40-10	1 007 07 0000044	88	DSF-0.5	1 007 07 0000010	43
CGF40-2.5	1 007 07 0000041	88	DSF-0.75	1 007 07 0000011	43
CGF40-4.0	1 007 07 0000042	88	DSF-1.0	1 007 07 0000012	43
CGF40-6.0	1 007 07 0000043	88	DSF-1.5	1 007 07 0000013	43
CGM40-1.5	1 007 06 0000040	88	DSF-2.5	1 007 07 0000014	43
CGM40-10	1 007 06 0000044	88	DSM-0.37	1 007 06 0000009	43
CGM40-2.5	1 007 06 0000041	88	DSM-0.5	1 007 06 0000010	43
CGM40-4.0	1 007 06 0000042	88	DSM-0.75	1 007 06 0000011	43
CGM40-6.0	1 007 06 0000043	88	DSM-1.0	1 007 06 0000012	43
CSF100-10	1 007 07 0000049	81	DSM-1.5	1 007 06 0000013	43
CSF100-16	1 007 07 0000050	81	DSM-2.5	1 007 06 0000014	43
CSF100-25	1 007 07 0000051	81	EGF-0.37	1 007 07 0000028	12
CSF100-35	1 007 07 0000052	81	EGF-0.5	1 007 07 0000029	12
CSF200-25	1 007 07 0000053	80	EGF-0.75	1 007 07 0000030	12
CSF200-35	1 007 07 0000054	80	EGF-1.0	1 007 07 0000031	12
CSF200-50	1 007 07 0000055	80	EGF-1.5	1 007 07 0000032	12
CSF200-70	1 007 07 0000056	80	EGF-2.5	1 007 07 0000033	12
CSF300-120	1 007 07 0000058	77	EGF-4.0	1 007 07 0000034	12
CSF300-95	1 007 07 0000057	77	EGM-0.37	1 007 06 0000028	12
CSF40-1.5	1 007 07 0000035	88	EGM-0.5	1 007 06 0000029	12
CSF40-10.0	1 007 07 0000039	88	EGM-0.75	1 007 06 0000030	12
CSF40-2.5	1 007 07 0000036	88	EGM-1.0	1 007 06 0000031	12
CSF40-4.0	1 007 07 0000037	88	EGM-1.5	1 007 06 0000032	12
CSF40-6.0	1 007 07 0000038	88	EGM-2.5	1 007 06 0000033	12
CSF70-10	1 007 07 0000046	86	EGM-4.0	1 007 06 0000034	12
CSF70-16	1 007 07 0000047	86	ESF-0.37	1 007 07 0000021	12
CSF70-25	1 007 07 0000048	86	ESF-0.5	1 007 07 0000022	12
CSF70-6.0	1 007 07 0000045	86	ESF-0.75	1 007 07 0000023	12
CSM100-10	1 007 06 0000049	81	ESF-1.0	1 007 07 0000024	12
CSM100-16	1 007 06 0000050	81	ESF-1.5	1 007 07 0000025	12
CSM100-25	1 007 06 0000051	81	ESF-2.5	1 007 07 0000026	12
CSM100-35	1 007 06 0000052	81	ESF-4.0	1 007 07 0000027	12
CSM200-25	1 007 06 0000053	80	ESM-0.37	1 007 06 0000021	12
CSM200-35	1 007 06 0000054	80	ESM-0.5	1 007 06 0000022	12
CSM200-50	1 007 06 0000055	80	ESM-0.75	1 007 06 0000023	12
CSM200-70	1 007 06 0000056	80	ESM-1.0	1 007 06 0000024	12
CSM300-120	1 007 06 0000058	77	ESM-1.5	1 007 06 0000025	12
CSM300-95	1 007 06 0000057	77	ESM-2.5	1 007 06 0000026	12
CSM40-1.5	1 007 06 0000035	88	ESM-4.0	1 007 06 0000027	12
CSM40-10.0	1 007 06 0000039	88	H06B-01-ADK-1	1 007 05 0000015	74
CSM40-2.5	1 007 06 0000036	88	H06B-02-F-1	1 007 05 0000002	70
CSM40-4.0	1 007 06 0000037	88	H06B-02-F-2	1 007 05 0000035	71
CSM40-6.0	1 007 06 0000038	88	H06B-02-M-1	1 007 05 0000001	70
CSM70-10	1 007 06 0000046	86	H06B-02-M-2	1 007 05 0000009	71
CSM70-16	1 007 06 0000047	86	H10A-01-F-1	1 007 05 0000014	72
CSM70-25	1 007 06 0000048	86	H10A-01-M-1	1 007 05 0000013	72
CSM70-6.0	1 007 06 0000045	86	H10A-CTC-1L-M20	1 007 01 0000057	125
DGF-0.37	1 007 07 0000015	43	H10A-CTC-1L-PG16	1 007 01 0000058	125
DGF-0.5	1 007 07 0000016	43	H10A-OM-1L	1 007 01 0000047	124
DGF-0.75	1 007 07 0000017	43	H10A-OM-1L-PCG	1 007 01 0000048	124
DGF-1.0	1 007 07 0000018	43	H10A-SM-1L-2M20	1 007 01 0000040	124
DGF-1.5	1 007 07 0000019	43	H10A-SM-1L-2M25	1 007 01 0000042	124
DGF-2.5	1 007 07 0000020	43	H10A-SM-1L-2PG16	1 007 01 0000044	124
DGM-0.37	1 007 06 0000015	43	H10A-SM-1L-2PG21	1 007 01 0000046	124
DGM-0.5	1 007 06 0000016	43	H10A-SM-1L-M20	1 007 01 0000039	124

型号 Product model	货号 Order No.	页码 Page	型号 Product model	货号 Order No.	页码 Page
H10A-SM-1L-M25	1 007 01 0000041	124	H10B-OM-1L-PC	1 007 01 0000253	136
H10A-SM-1L-PCG-2M20	1 007 01 0000050	125	H10B-OM-2L	1 007 01 0000286	137
H10A-SM-1L-PCG-2M25	1 007 01 0000052	125	H10B-OM-4PR	1 007 01 0000307	138
H10A-SM-1L-PCG-2PG16	1 007 01 0000054	125	H10B-OM-4PR-PC	1 007 01 0000308	138
H10A-SM-1L-PCG-2PG21	1 007 01 0000056	125	H10B-PC2-4P-M	1 007 02 0000032	140
H10A-SM-1L-PCG-M20	1 007 01 0000049	125	H10B-PC2-4P-MG	1 007 02 0000034	140
H10A-SM-1L-PCG-M25	1 007 01 0000051	125	H10B-PC2-4P-MT	1 007 02 0000033	140
H10A-SM-1L-PCG-PG16	1 007 01 0000053	125	H10B-PC2-4P-MTG	1 007 02 0000035	140
H10A-SM-1L-PCG-PG21	1 007 01 0000055	125	H10B-PC2-4P-N	1 007 02 0000028	140
H10A-SM-1L-PG16	1 007 01 0000043	124	H10B-PC2-4P-NG	1 007 02 0000030	140
H10A-SM-1L-PG21	1 007 01 0000045	124	H10B-PC2-4P-NT	1 007 02 0000029	140
H10A-SO-2P-M20	1 007 01 0000031	124	H10B-PC2-4P-NTG	1 007 02 0000031	140
H10A-SO-2P-M25	1 007 01 0000032	124	H10B-PC-2LP	1 007 02 0000041	140
H10A-SO-2P-PG16	1 007 01 0000033	124	H10B-PC-2LP-C	1 007 02 0000044	140
H10A-SO-2P-PG21	1 007 01 0000034	124	H10B-PC-2LP-CT	1 007 02 0000045	140
H10A-TO-2P-M20	1 007 01 0000035	124	H10B-PC-2LP-N	1 007 02 0000042	140
H10A-TO-2P-M25	1 007 01 0000036	124	H10B-PC-2LP-NT	1 007 02 0000043	140
H10A-TO-2P-PG16	1 007 01 0000037	124	H10B-PC-4P	1 007 02 0000023	140
H10A-TO-2P-PG21	1 007 01 0000038	124	H10B-PC-4P-M	1 007 02 0000026	140
H10B-01-ADK-1	1 007 05 0000016	74	H10B-PC-4P-MT	1 007 02 0000027	140
H10B-03-F-1	1 007 05 0000004	70	H10B-PC-4P-N	1 007 02 0000024	140
H10B-03-F-2	1 007 05 0000036	71	H10B-PC-4P-NT	1 007 02 0000025	140
H10B-03-M-1	1 007 05 0000003	70	H10B-PC-4S	1 007 02 0000036	140
H10B-03-M-2	1 007 05 0000010	71	H10B-PC-4S-M	1 007 02 0000039	140
H10BB-OM-2BH	1 007 01 0000359	141	H10B-PC-4S-MT	1 007 02 0000040	140
H10BB-SO-2B-M20	1 007 01 0000349	141	H10B-PC-4S-N	1 007 02 0000037	140
H10BB-SO-2B-M25	1 007 01 0000350	141	H10B-PC-4S-NT	1 007 02 0000038	140
H10BB-SO-2B-M32	1 007 01 0000351	141	H10B-SM-1L-2M20	1 007 01 0000255	136
H10BB-SO-2B-PG16	1 007 01 0000352	141	H10B-SM-1L-2M25	1 007 01 0000257	136
H10BB-SO-2B-PG21	1 007 01 0000353	141	H10B-SM-1L-2PG13.5	1 007 01 0000259	136
H10BB-TO-2B-M20	1 007 01 0000354	141	H10B-SM-1L-2PG16	1 007 01 0000261	136
H10BB-TO-2B-M25	1 007 01 0000355	141	H10B-SM-1L-M20	1 007 01 0000254	136
H10BB-TO-2B-M32	1 007 01 0000356	141	H10B-SM-1L-M25	1 007 01 0000256	136
H10BB-TO-2B-PG16	1 007 01 0000357	141	H10B-SM-1L-PC-2M20	1 007 01 0000263	136
H10BB-TO-2B-PG21	1 007 01 0000358	141	H10B-SM-1L-PC-2M25	1 007 01 0000265	136
H10B-CTC-1L-M20	1 007 01 0000325	139	H10B-SM-1L-PC-2PG13.5	1 007 01 0000267	136
H10B-CTC-1L-M25	1 007 01 0000326	139	H10B-SM-1L-PC-2PG16	1 007 01 0000269	136
H10B-CTC-1L-M32	1 007 01 0000327	139	H10B-SM-1L-PC-M20	1 007 01 0000262	136
H10B-CTC-1L-PG13.5	1 007 01 0000328	139	H10B-SM-1L-PC-M25	1 007 01 0000264	136
H10B-CTC-1L-PG16	1 007 01 0000329	139	H10B-SM-1L-PC-PG13.5	1 007 01 0000266	136
H10B-CTC-1L-PG21	1 007 01 0000330	139	H10B-SM-1L-PC-PG16	1 007 01 0000268	136
H10B-CTC-2L-M20	1 007 01 0000337	139	H10B-SM-1L-PG13.5	1 007 01 0000258	136
H10B-CTC-2L-M25	1 007 01 0000338	139	H10B-SM-1L-PG16	1 007 01 0000260	136
H10B-CTC-2L-M32	1 007 01 0000339	139	H10B-SM-2L-2M20	1 007 01 0000288	137
H10B-CTC-2L-PG13.5	1 007 01 0000340	139	H10B-SM-2L-2M25	1 007 01 0000290	137
H10B-CTC-2L-PG16	1 007 01 0000341	139	H10B-SM-2L-2PG13.5	1 007 01 0000292	137
H10B-CTC-2L-PG21	1 007 01 0000342	139	H10B-SM-2L-2PG16	1 007 01 0000294	137
H10B-CTCH-1L-M20	1 007 01 0000331	139	H10B-SM-2L-M20	1 007 01 0000287	137
H10B-CTCH-1L-M25	1 007 01 0000332	139	H10B-SM-2L-M25	1 007 01 0000289	137
H10B-CTCH-1L-M32	1 007 01 0000333	139	H10B-SM-2L-PG13.5	1 007 01 0000291	137
H10B-CTCH-1L-PG13.5	1 007 01 0000334	139	H10B-SM-2L-PG16	1 007 01 0000293	137
H10B-CTCH-1L-PG16	1 007 01 0000335	139	H10B-SM-4PR-2M20	1 007 01 0000310	138
H10B-CTCH-1L-PG21	1 007 01 0000336	139	H10B-SM-4PR-2M25	1 007 01 0000312	138
H10B-CTCH-2L-M20	1 007 01 0000343	139	H10B-SM-4PR-2PG13.5	1 007 01 0000314	138
H10B-CTCH-2L-M25	1 007 01 0000344	139	H10B-SM-4PR-2PG16	1 007 01 0000316	138
H10B-CTCH-2L-M32	1 007 01 0000345	139	H10B-SM-4PR-M20	1 007 01 0000309	138
H10B-CTCH-2L-PG13.5	1 007 01 0000346	139	H10B-SM-4PR-M25	1 007 01 0000311	138
H10B-CTCH-2L-PG16	1 007 01 0000347	139	H10B-SM-4PR-PC-2M20	1 007 01 0000318	138
H10B-CTCH-2L-PG21	1 007 01 0000348	139	H10B-SM-4PR-PC-2M25	1 007 01 0000320	138
H10B-OM-1L	1 007 01 0000252	136	H10B-SM-4PR-PC-2PG13.5	1 007 01 0000322	138

型号 Product model	货号 Order No.	页码 Page	型号 Product model	货号 Order No.	页码 Page
H10B-SM-4PR-PC-2PG16	1 007 01 0000324	138	H10B-SOH-4P-M25	1 007 01 0000213	134
H10B-SM-4PR-PC-M20	1 007 01 0000317	138	H10B-SOH-4P-M32	1 007 01 0000214	134
H10B-SM-4PR-PC-M25	1 007 01 0000319	138	H10B-SOH-4P-PG13.5	1 007 01 0000215	134
H10B-SM-4PR-PC-PG13.5	1 007 01 0000321	138	H10B-SOH-4P-PG16	1 007 01 0000216	134
H10B-SM-4PR-PC-PG16	1 007 01 0000323	138	H10B-SOH-4P-PG21	1 007 01 0000217	134
H10B-SM-4PR-PG13.5	1 007 01 0000313	138	H10B-TO-2L-M20	1 007 01 0000240	135
H10B-SM-4PR-PG16	1 007 01 0000315	138	H10B-TO-2L-M25	1 007 01 0000241	135
H10B-SMH-1L-2M20	1 007 01 0000271	137	H10B-TO-2L-M32	1 007 01 0000242	135
H10B-SMH-1L-2M25	1 007 01 0000273	137	H10B-TO-2L-PG13.5	1 007 01 0000243	135
H10B-SMH-1L-2PG16	1 007 01 0000275	137	H10B-TO-2L-PG16	1 007 01 0000244	135
H10B-SMH-1L-2PG21	1 007 01 0000277	137	H10B-TO-2L-PG21	1 007 01 0000245	135
H10B-SMH-1L-M20	1 007 01 0000270	137	H10B-TO-2PR-M20	1 007 01 0000196	133
H10B-SMH-1L-M25	1 007 01 0000272	137	H10B-TO-2PR-M25	1 007 01 0000197	133
H10B-SMH-1L-PC-2M20	1 007 01 0000279	137	H10B-TO-2PR-M32	1 007 01 0000198	133
H10B-SMH-1L-PC-2M25	1 007 01 0000281	137	H10B-TO-2PR-PG13.5	1 007 01 0000199	133
H10B-SMH-1L-PC-2PG16	1 007 01 0000283	137	H10B-TO-2PR-PG16	1 007 01 0000200	133
H10B-SMH-1L-PC-2PG21	1 007 01 0000285	137	H10B-TO-2PR-PG21	1 007 01 0000201	133
H10B-SMH-1L-PC-M20	1 007 01 0000278	137	H10B-TO-4P-M20	1 007 01 0000218	134
H10B-SMH-1L-PC-M25	1 007 01 0000280	137	H10B-TO-4P-M25	1 007 01 0000219	134
H10B-SMH-1L-PC-PG16	1 007 01 0000282	137	H10B-TO-4P-M32	1 007 01 0000220	134
H10B-SMH-1L-PC-PG21	1 007 01 0000284	137	H10B-TO-4P-PG13.5	1 007 01 0000221	134
H10B-SMH-1L-PG16	1 007 01 0000274	137	H10B-TO-4P-PG16	1 007 01 0000222	134
H10B-SMH-1L-PG21	1 007 01 0000276	137	H10B-TO-4P-PG21	1 007 01 0000223	134
H10B-SMH-2L-2M20	1 007 01 0000296	137	H10B-TOH-2L-M20	1 007 01 0000246	135
H10B-SMH-2L-2M25	1 007 01 0000298	137	H10B-TOH-2L-M25	1 007 01 0000247	135
H10B-SMH-2L-2M32	1 007 01 0000300	137	H10B-TOH-2L-M32	1 007 01 0000248	135
H10B-SMH-2L-2PG16	1 007 01 0000302	137	H10B-TOH-2L-PG13.5	1 007 01 0000249	135
H10B-SMH-2L-2PG21	1 007 01 0000304	137	H10B-TOH-2L-PG16	1 007 01 0000250	135
H10B-SMH-2L-M20	1 007 01 0000295	137	H10B-TOH-2L-PG21	1 007 01 0000251	135
H10B-SMH-2L-M25	1 007 01 0000297	137	H10B-TOH-2PR-M20	1 007 01 0000202	133
H10B-SMH-2L-M32	1 007 01 0000299	137	H10B-TOH-2PR-M25	1 007 01 0000203	133
H10B-SMH-2L-PG16	1 007 01 0000301	137	H10B-TOH-2PR-M32	1 007 01 0000204	133
H10B-SMH-2L-PG21	1 007 01 0000303	137	H10B-TOH-2PR-PG13.5	1 007 01 0000205	133
H10B-SMH-2L-PG29	1 007 01 0000305	137	H10B-TOH-2PR-PG16	1 007 01 0000206	133
H10B-SO-2L-M20	1 007 01 0000230	135	H10B-TOH-2PR-PG21	1 007 01 0000207	133
H10B-SO-2L-M25	1 007 01 0000231	135	H10B-TOH-4P-M20	1 007 01 0000224	134
H10B-SO-2L-PG13.5	1 007 01 0000232	135	H10B-TOH-4P-M25	1 007 01 0000225	134
H10B-SO-2L-PG16	1 007 01 0000233	135	H10B-TOH-4P-M32	1 007 01 0000226	134
H10B-SO-2PR-M20	1 007 01 0000186	133	H10B-TOH-4P-PG13.5	1 007 01 0000227	134
H10B-SO-2PR-M25	1 007 01 0000187	133	H10B-TOH-4P-PG16	1 007 01 0000228	134
H10B-SO-2PR-PG13.5	1 007 01 0000188	133	H10B-TOH-4P-PG21	1 007 01 0000229	134
H10B-SO-2PR-PG16	1 007 01 0000189	133	H16A-CTC-1L-M20	1 007 01 0000085	127
H10B-SO-4P-M20	1 007 01 0000208	134	H16A-CTC-1L-M25	1 007 01 0000086	127
H10B-SO-4P-M25	1 007 01 0000209	134	H16A-CTC-1L-PG16	1 007 01 0000087	127
H10B-SO-4P-PG13.5	1 007 01 0000210	134	H16A-CTC-1L-PG21	1 007 01 0000088	127
H10B-SO-4P-PG16	1 007 01 0000211	134	H16A-OM-1L	1 007 01 0000075	126
H10B-SOH-2L-M20	1 007 01 0000234	135	H16A-OM-1L-PCG	1 007 01 0000076	127
H10B-SOH-2L-M25	1 007 01 0000235	135	H16A-SM-1L-2M20	1 007 01 0000068	126
H10B-SOH-2L-M32	1 007 01 0000236	135	H16A-SM-1L-2M25	1 007 01 0000070	126
H10B-SOH-2L-PG13.5	1 007 01 0000237	135	H16A-SM-1L-2PG16	1 007 01 0000072	126
H10B-SOH-2L-PG16	1 007 01 0000238	135	H16A-SM-1L-2PG21	1 007 01 0000074	126
H10B-SOH-2L-PG21	1 007 01 0000239	135	H16A-SM-1L-M20	1 007 01 0000067	126
H10B-SOH-2PR-M20	1 007 01 0000190	133	H16A-SM-1L-M25	1 007 01 0000069	126
H10B-SOH-2PR-M25	1 007 01 0000191	133	H16A-SM-1L-PCG-2M20	1 007 01 0000078	127
H10B-SOH-2PR-M32	1 007 01 0000192	133	H16A-SM-1L-PCG-2M25	1 007 01 0000080	127
H10B-SOH-2PR-PG13.5	1 007 01 0000193	133	H16A-SM-1L-PCG-2PG16	1 007 01 0000082	127
H10B-SOH-2PR-PG16	1 007 01 0000194	133	H16A-SM-1L-PCG-2PG21	1 007 01 0000084	127
H10B-SOH-2PR-PG21	1 007 01 0000195	133	H16A-SM-1L-PCG-M20	1 007 01 0000077	127
H10B-SOH-4P-M20	1 007 01 0000212	134	H16A-SM-1L-PCG-M25	1 007 01 0000079	127
			H16A-SM-1L-PCG-PG16	1 007 01 0000081	127

型号 Product model	货号 Order No.	页码 Page	型号 Product model	货号 Order No.	页码 Page
H16A-SM-1L-PCG-PG21	1 007 01 0000083	127	H16B-PC2-4P-M	1 007 02 0000055	149
H16A-SM-1L-PG16	1 007 01 0000071	126	H16B-PC2-4P-MG	1 007 02 0000057	149
H16A-SM-1L-PG21	1 007 01 0000073	126	H16B-PC2-4P-MT	1 007 02 0000056	149
H16A-SO-2P-M20	1 007 01 0000059	126	H16B-PC2-4P-MTG	1 007 02 0000058	149
H16A-SO-2P-M25	1 007 01 0000060	126	H16B-PC2-4P-N	1 007 02 0000051	149
H16A-SO-2P-PG16	1 007 01 0000061	126	H16B-PC2-4P-NG	1 007 02 0000053	149
H16A-SO-2P-PG21	1 007 01 0000062	126	H16B-PC2-4P-NT	1 007 02 0000052	149
H16A-TO-2P-M20	1 007 01 0000063	126	H16B-PC2-4P-NTG	1 007 02 0000054	149
H16A-TO-2P-M25	1 007 01 0000064	126	H16B-PC-2LP	1 007 02 0000064	149
H16A-TO-2P-PG16	1 007 01 0000065	126	H16B-PC-2LP-M	1 007 02 0000067	149
H16A-TO-2P-PG21	1 007 01 0000066	126	H16B-PC-2LP-MT	1 007 02 0000068	149
H16B-01-ADK-1	1 007 05 0000017	74	H16B-PC-2LP-N	1 007 02 0000065	149
H16B-04-F-1	1 007 05 0000006	70	H16B-PC-2LP-NT	1 007 02 0000066	149
H16B-04-F-2	1 007 05 0000037	71	H16B-PC-4P	1 007 02 0000046	149
H16B-04-M-1	1 007 05 0000005	70	H16B-PC-4P-M	1 007 02 0000049	149
H16B-04-M-2	1 007 05 0000011	71	H16B-PC-4P-MT	1 007 02 0000050	149
H16BB-OM-2BH	1 007 01 0000552	150	H16B-PC-4P-N	1 007 02 0000047	149
H16BB-SO-2B-M20	1 007 01 0000542	150	H16B-PC-4P-NT	1 007 02 0000048	149
H16BB-SO-2B-M25	1 007 01 0000543	150	H16B-PC-4S	1 007 02 0000059	149
H16BB-SO-2B-M32	1 007 01 0000544	150	H16B-PC-4S-M	1 007 02 0000062	149
H16BB-SO-2B-PG16	1 007 01 0000545	150	H16B-PC-4S-MT	1 007 02 0000063	149
H16BB-SO-2B-PG21	1 007 01 0000546	150	H16B-PC-4S-N	1 007 02 0000060	149
H16BB-TO-2B-M20	1 007 01 0000547	150	H16B-PC-4S-NT	1 007 02 0000061	149
H16BB-TO-2B-M25	1 007 01 0000548	150	H16B-SM-1L-2M20	1 007 01 0000444	145
H16BB-TO-2B-M32	1 007 01 0000549	150	H16B-SM-1L-2M25	1 007 01 0000446	145
H16BB-TO-2B-PG16	1 007 01 0000550	150	H16B-SM-1L-2PG13.5	1 007 01 0000448	145
H16BB-TO-2B-PG21	1 007 01 0000551	150	H16B-SM-1L-2PG16	1 007 01 0000450	145
H16B-CTC-1L-M20	1 007 01 0000514	148	H16B-SM-1L-M20	1 007 01 0000443	145
H16B-CTC-1L-M25	1 007 01 0000515	148	H16B-SM-1L-M25	1 007 01 0000445	145
H16B-CTC-1L-M32	1 007 01 0000516	148	H16B-SM-1L-PC-2M20	1 007 01 0000452	145
H16B-CTC-1L-PG13.5	1 007 01 0000517	148	H16B-SM-1L-PC-2M25	1 007 01 0000454	145
H16B-CTC-1L-PG16	1 007 01 0000518	148	H16B-SM-1L-PC-2PG13.5	1 007 01 0000456	145
H16B-CTC-1L-PG21	1 007 01 0000519	148	H16B-SM-1L-PC-2PG16	1 007 01 0000458	145
H16B-CTC-1L-PG29	1 007 01 0000520	148	H16B-SM-1L-PC-M20	1 007 01 0000451	145
H16B-CTC-2L-M20	1 007 01 0000528	148	H16B-SM-1L-PC-M25	1 007 01 0000453	145
H16B-CTC-2L-M25	1 007 01 0000529	148	H16B-SM-1L-PC-PG13.5	1 007 01 0000455	145
H16B-CTC-2L-M32	1 007 01 0000530	148	H16B-SM-1L-PC-PG16	1 007 01 0000457	145
H16B-CTC-2L-PG13.5	1 007 01 0000531	148	H16B-SM-1L-PG13.5	1 007 01 0000447	145
H16B-CTC-2L-PG16	1 007 01 0000532	148	H16B-SM-1L-PG16	1 007 01 0000449	145
H16B-CTC-2L-PG21	1 007 01 0000533	148	H16B-SM-2L-2M20	1 007 01 0000477	146
H16B-CTC-2L-PG29	1 007 01 0000534	148	H16B-SM-2L-2M25	1 007 01 0000479	146
H16B-CTCH-1L-M20	1 007 01 0000521	148	H16B-SM-2L-2PG13.5	1 007 01 0000481	146
H16B-CTCH-1L-M25	1 007 01 0000522	148	H16B-SM-2L-2PG16	1 007 01 0000483	146
H16B-CTCH-1L-M32	1 007 01 0000523	148	H16B-SM-2L-M20	1 007 01 0000476	146
H16B-CTCH-1L-PG13.5	1 007 01 0000524	148	H16B-SM-2L-M25	1 007 01 0000478	146
H16B-CTCH-1L-PG16	1 007 01 0000525	148	H16B-SM-2L-PG13.5	1 007 01 0000480	146
H16B-CTCH-1L-PG21	1 007 01 0000526	148	H16B-SM-2L-PG16	1 007 01 0000482	146
H16B-CTCH-1L-PG29	1 007 01 0000527	148	H16B-SM-4PR-2M20	1 007 01 0000499	147
H16B-CTCH-2L-M20	1 007 01 0000535	148	H16B-SM-4PR-2M25	1 007 01 0000501	147
H16B-CTCH-2L-M25	1 007 01 0000536	148	H16B-SM-4PR-2PG13.5	1 007 01 0000503	147
H16B-CTCH-2L-M32	1 007 01 0000537	148	H16B-SM-4PR-2PG16	1 007 01 0000505	147
H16B-CTCH-2L-PG13.5	1 007 01 0000538	148	H16B-SM-4PR-M20	1 007 01 0000498	147
H16B-CTCH-2L-PG16	1 007 01 0000539	148	H16B-SM-4PR-M25	1 007 01 0000500	147
H16B-CTCH-2L-PG21	1 007 01 0000540	148	H16B-SM-4PR-PC-2M20	1 007 01 0000507	147
H16B-CTCH-2L-PG29	1 007 01 0000541	148	H16B-SM-4PR-PC-2M25	1 007 01 0000509	147
H16B-OM-1L	1 007 01 0000441	145	H16B-SM-4PR-PC-2PG13.5	1 007 01 0000511	147
H16B-OM-1L-PC	1 007 01 0000442	145	H16B-SM-4PR-PC-2PG16	1 007 01 0000513	147
H16B-OM-2L	1 007 01 0000475	146	H16B-SM-4PR-PC-M20	1 007 01 0000506	147
H16B-OM-4PR	1 007 01 0000496	147	H16B-SM-4PR-PC-M25	1 007 01 0000508	147
H16B-OM-4PR-PC	1 007 01 0000497	147	H16B-SM-4PR-PC-PG13.5	1 007 01 0000510	147

型号 Product model	货号 Order No.	页码 Page	型号 Product model	货号 Order No.	页码 Page
H16B-SM-4PR-PC-PG16	1 007 01 0000512	147	H16B-SOH-2PR-PG16	1 007 01 0000370	142
H16B-SM-4PR-PG13.5	1 007 01 0000502	147	H16B-SOH-2PR-PG21	1 007 01 0000371	142
H16B-SM-4PR-PG16	1 007 01 0000504	147	H16B-SOH-2PR-PG29	1 007 01 0000372	142
H16B-SMH-1L-2M20	1 007 01 0000460	146	H16B-SOH-4P-M20	1 007 01 0000393	143
H16B-SMH-1L-2M25	1 007 01 0000462	146	H16B-SOH-4P-M25	1 007 01 0000394	143
H16B-SMH-1L-2PG16	1 007 01 0000464	146	H16B-SOH-4P-M32	1 007 01 0000395	143
H16B-SMH-1L-2PG21	1 007 01 0000466	146	H16B-SOH-4P-PG13.5	1 007 01 0000396	143
H16B-SMH-1L-M20	1 007 01 0000459	146	H16B-SOH-4P-PG16	1 007 01 0000397	143
H16B-SMH-1L-M25	1 007 01 0000461	146	H16B-SOH-4P-PG21	1 007 01 0000398	143
H16B-SMH-1L-PC-2M20	1 007 01 0000468	146	H16B-SOH-4P-PG29	1 007 01 0000399	143
H16B-SMH-1L-PC-2M25	1 007 01 0000470	146	H16B-TO-2L-M20	1 007 01 0000427	144
H16B-SMH-1L-PC-2PG16	1 007 01 0000472	146	H16B-TO-2L-M25	1 007 01 0000428	144
H16B-SMH-1L-PC-2PG21	1 007 01 0000474	146	H16B-TO-2L-M32	1 007 01 0000429	144
H16B-SMH-1L-PC-M20	1 007 01 0000467	146	H16B-TO-2L-PG13.5	1 007 01 0000430	144
H16B-SMH-1L-PC-M25	1 007 01 0000469	146	H16B-TO-2L-PG16	1 007 01 0000431	144
H16B-SMH-1L-PC-PG16	1 007 01 0000471	146	H16B-TO-2L-PG21	1 007 01 0000432	144
H16B-SMH-1L-PC-PG21	1 007 01 0000473	146	H16B-TO-2L-PG29	1 007 01 0000433	144
H16B-SMH-1L-PG16	1 007 01 0000463	146	H16B-TO-2PR-M20	1 007 01 0000373	142
H16B-SMH-1L-PG21	1 007 01 0000465	146	H16B-TO-2PR-M25	1 007 01 0000374	142
H16B-SMH-2L-2M20	1 007 01 0000485	146	H16B-TO-2PR-M32	1 007 01 0000375	142
H16B-SMH-2L-2M25	1 007 01 0000487	146	H16B-TO-2PR-PG13.5	1 007 01 0000376	142
H16B-SMH-2L-2M32	1 007 01 0000489	146	H16B-TO-2PR-PG16	1 007 01 0000377	142
H16B-SMH-2L-2PG16	1 007 01 0000491	146	H16B-TO-2PR-PG21	1 007 01 0000378	142
H16B-SMH-2L-2PG21	1 007 01 0000493	146	H16B-TO-2PR-PG29	1 007 01 0000379	142
H16B-SMH-2L-2PG29	1 007 01 0000495	146	H16B-TO-4P-M20	1 007 01 0000400	143
H16B-SMH-2L-M20	1 007 01 0000484	146	H16B-TO-4P-M25	1 007 01 0000401	143
H16B-SMH-2L-M25	1 007 01 0000486	146	H16B-TO-4P-M32	1 007 01 0000402	143
H16B-SMH-2L-M32	1 007 01 0000488	146	H16B-TO-4P-PG13.5	1 007 01 0000403	143
H16B-SMH-2L-PG16	1 007 01 0000490	146	H16B-TO-4P-PG16	1 007 01 0000404	143
H16B-SMH-2L-PG21	1 007 01 0000492	146	H16B-TO-4P-PG21	1 007 01 0000405	143
H16B-SMH-2L-PG29	1 007 01 0000494	146	H16B-TO-4P-PG29	1 007 01 0000406	143
H16B-SO-2L-M20	1 007 01 0000414	144	H16B-TOH-2L-M20	1 007 01 0000434	144
H16B-SO-2L-M25	1 007 01 0000415	144	H16B-TOH-2L-M25	1 007 01 0000435	144
H16B-SO-2L-M32	1 007 01 0000416	144	H16B-TOH-2L-M32	1 007 01 0000436	144
H16B-SO-2L-PG13.5	1 007 01 0000417	144	H16B-TOH-2L-PG13.5	1 007 01 0000437	144
H16B-SO-2L-PG16	1 007 01 0000418	144	H16B-TOH-2L-PG16	1 007 01 0000438	144
H16B-SO-2L-PG21	1 007 01 0000419	144	H16B-TOH-2L-PG21	1 007 01 0000439	144
H16B-SO-2PR-M20	1 007 01 0000360	142	H16B-TOH-2L-PG29	1 007 01 0000440	144
H16B-SO-2PR-M25	1 007 01 0000361	142	H16B-TOH-2PR-M20	1 007 01 0000380	142
H16B-SO-2PR-M32	1 007 01 0000362	142	H16B-TOH-2PR-M25	1 007 01 0000381	142
H16B-SO-2PR-PG13.5	1 007 01 0000363	142	H16B-TOH-2PR-M32	1 007 01 0000382	142
H16B-SO-2PR-PG16	1 007 01 0000364	142	H16B-TOH-2PR-PG13.5	1 007 01 0000383	142
H16B-SO-2PR-PG21	1 007 01 0000365	142	H16B-TOH-2PR-PG16	1 007 01 0000384	142
H16B-SO-4P-M20	1 007 01 0000387	143	H16B-TOH-2PR-PG21	1 007 01 0000385	142
H16B-SO-4P-M25	1 007 01 0000388	143	H16B-TOH-2PR-PG29	1 007 01 0000386	142
H16B-SO-4P-M32	1 007 01 0000389	143	H16B-TOH-4P-M20	1 007 01 0000407	143
H16B-SO-4P-PG13.5	1 007 01 0000390	143	H16B-TOH-4P-M25	1 007 01 0000408	143
H16B-SO-4P-PG16	1 007 01 0000391	143	H16B-TOH-4P-M32	1 007 01 0000409	143
H16B-SO-4P-PG21	1 007 01 0000392	143	H16B-TOH-4P-PG13.5	1 007 01 0000410	143
H16B-SOH-2L-M20	1 007 01 0000420	144	H16B-TOH-4P-PG16	1 007 01 0000411	143
H16B-SOH-2L-M25	1 007 01 0000421	144	H16B-TOH-4P-PG21	1 007 01 0000412	143
H16B-SOH-2L-M32	1 007 01 0000422	144	H16B-TOH-4P-PG29	1 007 01 0000413	143
H16B-SOH-2L-PG13.5	1 007 01 0000423	144	H24B-01-ADK-1	1 007 05 0000018	74
H16B-SOH-2L-PG16	1 007 01 0000424	144	H24B-06-F-1	1 007 05 0000008	70
H16B-SOH-2L-PG21	1 007 01 0000425	144	H24B-06-F-2	1 007 05 0000038	71
H16B-SOH-2L-PG29	1 007 01 0000426	144	H24B-06-M-1	1 007 05 0000007	70
H16B-SOH-2PR-M20	1 007 01 0000366	142	H24B-06-M-2	1 007 05 0000012	71
H16B-SOH-2PR-M25	1 007 01 0000367	142	H24BB-OM-2BH	1 007 01 0000751	159
H16B-SOH-2PR-M32	1 007 01 0000368	142	H24BB-SO-2B-M20	1 007 01 0000741	159
H16B-SOH-2PR-PG13.5	1 007 01 0000369	142	H24BB-SO-2B-M25	1 007 01 0000742	159

型号 Product model	货号 Order No.	页码 Page	型号 Product model	货号 Order No.	页码 Page
H24BB-SO-2B-M32	1 007 01 0000743	159	H24B-PC-4S-M	1 007 02 0000085	158
H24BB-SO-2B-PG16	1 007 01 0000744	159	H24B-PC-4S-MT	1 007 02 0000086	158
H24BB-SO-2B-PG21	1 007 01 0000745	159	H24B-PC-4S-N	1 007 02 0000083	158
H24BB-TO-2B-M20	1 007 01 0000746	159	H24B-PC-4S-NT	1 007 02 0000084	158
H24BB-TO-2B-M25	1 007 01 0000747	159	H24B-SM-1L-2M20	1 007 01 0000637	154
H24BB-TO-2B-M32	1 007 01 0000748	159	H24B-SM-1L-2M25	1 007 01 0000639	154
H24BB-TO-2B-PG16	1 007 01 0000749	159	H24B-SM-1L-2PG13.5	1 007 01 0000641	154
H24BB-TO-2B-PG21	1 007 01 0000750	159	H24B-SM-1L-2PG16	1 007 01 0000643	154
H24B-CTC-1L-M20	1 007 01 0000713	157	H24B-SM-1L-2PG21	1 007 01 0000645	154
H24B-CTC-1L-M25	1 007 01 0000714	157	H24B-SM-1L-M20	1 007 01 0000636	154
H24B-CTC-1L-M32	1 007 01 0000715	157	H24B-SM-1L-M25	1 007 01 0000638	154
H24B-CTC-1L-PG13.5	1 007 01 0000716	157	H24B-SM-1L-PC-2M20	1 007 01 0000647	154
H24B-CTC-1L-PG16	1 007 01 0000717	157	H24B-SM-1L-PC-2M25	1 007 01 0000649	154
H24B-CTC-1L-PG21	1 007 01 0000718	157	H24B-SM-1L-PC-2PG13.5	1 007 01 0000651	154
H24B-CTC-1L-PG29	1 007 01 0000719	157	H24B-SM-1L-PC-2PG16	1 007 01 0000653	154
H24B-CTC-2L-M20	1 007 01 0000727	157	H24B-SM-1L-PC-2PG21	1 007 01 0000655	154
H24B-CTC-2L-M25	1 007 01 0000728	157	H24B-SM-1L-PC-M20	1 007 01 0000646	154
H24B-CTC-2L-M32	1 007 01 0000729	157	H24B-SM-1L-PC-M25	1 007 01 0000648	154
H24B-CTC-2L-PG13.5	1 007 01 0000730	157	H24B-SM-1L-PC-PG13.5	1 007 01 0000650	154
H24B-CTC-2L-PG16	1 007 01 0000731	157	H24B-SM-1L-PC-PG16	1 007 01 0000652	154
H24B-CTC-2L-PG21	1 007 01 0000732	157	H24B-SM-1L-PC-PG21	1 007 01 0000654	154
H24B-CTC-2L-PG29	1 007 01 0000733	157	H24B-SM-1L-PG13.5	1 007 01 0000640	154
H24B-CTCH-1L-M20	1 007 01 0000720	157	H24B-SM-1L-PG16	1 007 01 0000642	154
H24B-CTCH-1L-M25	1 007 01 0000721	157	H24B-SM-1L-PG21	1 007 01 0000644	154
H24B-CTCH-1L-M32	1 007 01 0000722	157	H24B-SM-2L-2M20	1 007 01 0000674	155
H24B-CTCH-1L-PG13.5	1 007 01 0000723	157	H24B-SM-2L-2M25	1 007 01 0000676	155
H24B-CTCH-1L-PG16	1 007 01 0000724	157	H24B-SM-2L-2PG16	1 007 01 0000678	155
H24B-CTCH-1L-PG21	1 007 01 0000725	157	H24B-SM-2L-2PG21	1 007 01 0000680	155
H24B-CTCH-1L-PG29	1 007 01 0000726	157	H24B-SM-2L-M20	1 007 01 0000673	155
H24B-CTCH-2L-M20	1 007 01 0000734	157	H24B-SM-2L-M25	1 007 01 0000675	155
H24B-CTCH-2L-M25	1 007 01 0000735	157	H24B-SM-2L-PG16	1 007 01 0000677	155
H24B-CTCH-2L-M32	1 007 01 0000736	157	H24B-SM-2L-PG21	1 007 01 0000679	155
H24B-CTCH-2L-PG13.5	1 007 01 0000737	157	H24B-SM-4PR-2M20	1 007 01 0000696	156
H24B-CTCH-2L-PG16	1 007 01 0000738	157	H24B-SM-4PR-2M25	1 007 01 0000698	156
H24B-CTCH-2L-PG21	1 007 01 0000739	157	H24B-SM-4PR-2PG16	1 007 01 0000700	156
H24B-CTCH-2L-PG29	1 007 01 0000740	157	H24B-SM-4PR-M20	1 007 01 0000695	156
H24B-OM-1L	1 007 01 0000634	154	H24B-SM-4PR-M25	1 007 01 0000697	156
H24B-OM-1L-PC	1 007 01 0000635	154	H24B-SM-4PR-P2G21	1 007 01 0000702	156
H24B-OM-2L	1 007 01 0000672	155	H24B-SM-4PR-PC-2M20	1 007 01 0000704	156
H24B-OM-4PR	1 007 01 0000693	156	H24B-SM-4PR-PC-2M25	1 007 01 0000706	156
H24B-OM-4PR-PC	1 007 01 0000694	156	H24B-SM-4PR-PC-2PG13.5	1 007 01 0000708	156
H24B-PC2-4P-M	1 007 02 0000078	158	H24B-SM-4PR-PC-2PG16	1 007 01 0000710	156
H24B-PC2-4P-MG	1 007 02 0000080	158	H24B-SM-4PR-PC-2PG21	1 007 01 0000712	156
H24B-PC2-4P-MT	1 007 02 0000079	158	H24B-SM-4PR-PC-M20	1 007 01 0000703	156
H24B-PC2-4P-MTG	1 007 02 0000081	158	H24B-SM-4PR-PC-M25	1 007 01 0000705	156
H24B-PC2-4P-N	1 007 02 0000074	158	H24B-SM-4PR-PC-PG13.5	1 007 01 0000707	156
H24B-PC2-4P-NG	1 007 02 0000076	158	H24B-SM-4PR-PC-PG16	1 007 01 0000709	156
H24B-PC2-4P-NT	1 007 02 0000075	158	H24B-SM-4PR-PC-PG21	1 007 01 0000711	156
H24B-PC2-4P-NTG	1 007 02 0000077	158	H24B-SM-4PR-PG16	1 007 01 0000699	156
H24B-PC-2L-M	1 007 02 0000090	158	H24B-SM-4PR-PG21	1 007 01 0000701	156
H24B-PC-2LP	1 007 02 0000087	158	H24B-SMH-1L-2M20	1 007 01 0000657	155
H24B-PC-2LP-MT	1 007 02 0000091	158	H24B-SMH-1L-2M25	1 007 01 0000659	155
H24B-PC-2LP-N	1 007 02 0000088	158	H24B-SMH-1L-2PG16	1 007 01 0000661	155
H24B-PC-2LP-NT	1 007 02 0000089	158	H24B-SMH-1L-2PG21	1 007 01 0000663	155
H24B-PC-4P	1 007 02 0000069	158	H24B-SMH-1L-M20	1 007 01 0000656	155
H24B-PC-4P-M	1 007 02 0000072	158	H24B-SMH-1L-M25	1 007 01 0000658	155
H24B-PC-4P-MT	1 007 02 0000073	158	H24B-SMH-1L-PC-2M20	1 007 01 0000665	155
H24B-PC-4P-N	1 007 02 0000070	158	H24B-SMH-1L-PC-2M25	1 007 01 0000667	155
H24B-PC-4P-NT	1 007 02 0000071	158	H24B-SMH-1L-PC-2PG16	1 007 01 0000669	155
H24B-PC-4S	1 007 02 0000082	158	H24B-SMH-1L-PC-2PG21	1 007 01 0000671	155

型号 Product model	货号 Order No.	页码 Page	型号 Product model	货号 Order No.	页码 Page
H24B-SMH-1L-PC-M20	1 007 01 0000664	155	H24B-TO-2L-PG13.5	1 007 01 0000623	153
H24B-SMH-1L-PC-M25	1 007 01 0000666	155	H24B-TO-2L-PG16	1 007 01 0000624	153
H24B-SMH-1L-PC-PG16	1 007 01 0000668	155	H24B-TO-2L-PG21	1 007 01 0000625	153
H24B-SMH-1L-PC-PG21	1 007 01 0000670	155	H24B-TO-2L-PG29	1 007 01 0000626	153
H24B-SMH-1L-PG16	1 007 01 0000660	155	H24B-TO-2PR-M20	1 007 01 0000566	151
H24B-SMH-1L-PG21	1 007 01 0000662	155	H24B-TO-2PR-M25	1 007 01 0000567	151
H24B-SMH-2L-2M20	1 007 01 0000682	155	H24B-TO-2PR-M32	1 007 01 0000568	151
H24B-SMH-2L-2M25	1 007 01 0000684	155	H24B-TO-2PR-PG13.5	1 007 01 0000569	151
H24B-SMH-2L-2M32	1 007 01 0000686	155	H24B-TO-2PR-PG16	1 007 01 0000570	151
H24B-SMH-2L-2PG16	1 007 01 0000688	155	H24B-TO-2PR-PG21	1 007 01 0000571	151
H24B-SMH-2L-2PG21	1 007 01 0000690	155	H24B-TO-2PR-PG29	1 007 01 0000572	151
H24B-SMH-2L-2PG29	1 007 01 0000692	155	H24B-TO-4P-M20	1 007 01 0000593	152
H24B-SMH-2L-M20	1 007 01 0000681	155	H24B-TO-4P-M25	1 007 01 0000594	152
H24B-SMH-2L-M25	1 007 01 0000683	155	H24B-TO-4P-M32	1 007 01 0000595	152
H24B-SMH-2L-M32	1 007 01 0000685	155	H24B-TO-4P-PG13.5	1 007 01 0000596	152
H24B-SMH-2L-PG16	1 007 01 0000687	155	H24B-TO-4P-PG16	1 007 01 0000597	152
H24B-SMH-2L-PG21	1 007 01 0000689	155	H24B-TO-4P-PG21	1 007 01 0000598	152
H24B-SMH-2L-PG29	1 007 01 0000691	155	H24B-TO-4P-PG29	1 007 01 0000599	152
H24B-SO-2L-M20	1 007 01 0000607	153	H24B-TOH-2L-M20	1 007 01 0000627	153
H24B-SO-2L-M25	1 007 01 0000608	153	H24B-TOH-2L-M25	1 007 01 0000628	153
H24B-SO-2L-M32	1 007 01 0000609	153	H24B-TOH-2L-M32	1 007 01 0000629	153
H24B-SO-2L-PG13.5	1 007 01 0000610	153	H24B-TOH-2L-PG13.5	1 007 01 0000630	153
H24B-SO-2L-PG16	1 007 01 0000611	153	H24B-TOH-2L-PG16	1 007 01 0000631	153
H24B-SO-2L-PG21	1 007 01 0000612	153	H24B-TOH-2L-PG21	1 007 01 0000632	153
H24B-SO-2PR-M20	1 007 01 0000553	151	H24B-TOH-2L-PG29	1 007 01 0000633	153
H24B-SO-2PR-M25	1 007 01 0000554	151	H24B-TOH-2PR-M20	1 007 01 0000573	151
H24B-SO-2PR-M32	1 007 01 0000555	151	H24B-TOH-2PR-M25	1 007 01 0000574	151
H24B-SO-2PR-PG13.5	1 007 01 0000556	151	H24B-TOH-2PR-M32	1 007 01 0000575	151
H24B-SO-2PR-PG16	1 007 01 0000557	151	H24B-TOH-2PR-PG13.5	1 007 01 0000576	151
H24B-SO-2PR-PG21	1 007 01 0000558	151	H24B-TOH-2PR-PG16	1 007 01 0000577	151
H24B-SO-4P-M20	1 007 01 0000580	152	H24B-TOH-2PR-PG21	1 007 01 0000578	151
H24B-SO-4P-M25	1 007 01 0000581	152	H24B-TOH-2PR-PG29	1 007 01 0000579	151
H24B-SO-4P-M32	1 007 01 0000582	152	H24B-TOH-4P-M20	1 007 01 0000600	152
H24B-SO-4P-PG13.5	1 007 01 0000583	152	H24B-TOH-4P-M25	1 007 01 0000601	152
H24B-SO-4P-PG16	1 007 01 0000584	152	H24B-TOH-4P-M32	1 007 01 0000602	152
H24B-SO-4P-PG21	1 007 01 0000585	152	H24B-TOH-4P-PG13.5	1 007 01 0000603	152
H24B-SOH-2L-M20	1 007 01 0000613	153	H24B-TOH-4P-PG16	1 007 01 0000604	152
H24B-SOH-2L-M25	1 007 01 0000614	153	H24B-TOH-4P-PG21	1 007 01 0000605	152
H24B-SOH-2L-M32	1 007 01 0000615	153	H24B-TOH-4P-PG29	1 007 01 0000606	152
H24B-SOH-2L-PG13.5	1 007 01 0000616	153	H32A-CTC-2L-M25	1 007 01 0000109	129
H24B-SOH-2L-PG16	1 007 01 0000617	153	H32A-CTC-2L-M32	1 007 01 0000110	129
H24B-SOH-2L-PG21	1 007 01 0000618	153	H32A-CTC-2L-PG21	1 007 01 0000111	129
H24B-SOH-2L-PG29	1 007 01 0000619	153	H32A-CTC-2L-PG29	1 007 01 0000112	129
H24B-SOH-2PR-M20	1 007 01 0000559	151	H32A-OM-2L	1 007 01 0000113	129
H24B-SOH-2PR-M25	1 007 01 0000560	151	H32A-OM-4PR	1 007 01 0000114	129
H24B-SOH-2PR-M32	1 007 01 0000561	151	H32A-SM-2L-2M25	1 007 01 0000116	129
H24B-SOH-2PR-PG13.5	1 007 01 0000562	151	H32A-SM-2L-2M32	1 007 01 0000118	129
H24B-SOH-2PR-PG16	1 007 01 0000563	151	H32A-SM-2L-2PG21	1 007 01 0000120	129
H24B-SOH-2PR-PG21	1 007 01 0000564	151	H32A-SM-2L-2PG29	1 007 01 0000122	129
H24B-SOH-2PR-PG29	1 007 01 0000565	151	H32A-SM-2L-M25	1 007 01 0000115	129
H24B-SOH-4P-M20	1 007 01 0000586	152	H32A-SM-2L-M32	1 007 01 0000117	129
H24B-SOH-4P-M25	1 007 01 0000587	152	H32A-SM-2L-PG21	1 007 01 0000119	129
H24B-SOH-4P-M32	1 007 01 0000588	152	H32A-SM-2L-PG29	1 007 01 0000121	129
H24B-SOH-4P-PG13.5	1 007 01 0000589	152	H32A-SO-2L-M25	1 007 01 0000101	128
H24B-SOH-4P-PG16	1 007 01 0000590	152	H32A-SO-2L-M32	1 007 01 0000102	128
H24B-SOH-4P-PG21	1 007 01 0000591	152	H32A-SO-2L-PG21	1 007 01 0000103	128
H24B-SOH-4P-PG29	1 007 01 0000592	152	H32A-SO-2L-PG29	1 007 01 0000104	128
H24B-TO-2L-M20	1 007 01 0000620	153	H32A-SO-4P-M25	1 007 01 0000089	128
H24B-TO-2L-M25	1 007 01 0000621	153	H32A-SO-4P-M32	1 007 01 0000090	128
H24B-TO-2L-M32	1 007 01 0000622	153	H32A-SO-4P-M40	1 007 01 0000091	128

型号 Product model	货号 Order No.	页码 Page	型号 Product model	货号 Order No.	页码 Page
H32A-SO-4P-PG16	1 007 01 0000092	128	H32B-SM-4PR-PC-2M25	1 007 01 0000842	163
H32A-SO-4P-PG21	1 007 01 0000093	128	H32B-SM-4PR-PC-2M32	1 007 01 0000844	163
H32A-SO-4P-PG29	1 007 01 0000094	128	H32B-SM-4PR-PC-2M40	1 007 01 0000846	163
H32A-TO-2L-M25	1 007 01 0000105	128	H32B-SM-4PR-PC-2PG29	1 007 01 0000848	163
H32A-TO-2L-M32	1 007 01 0000106	128	H32B-SM-4PR-PC-2PG36	1 007 01 0000850	163
H32A-TO-2L-PG21	1 007 01 0000107	128	H32B-SM-4PR-PC-M25	1 007 01 0000841	163
H32A-TO-2L-PG29	1 007 01 0000108	128	H32B-SM-4PR-PC-M32	1 007 01 0000843	163
H32A-TO-4P-M25	1 007 01 0000095	128	H32B-SM-4PR-PC-M40	1 007 01 0000845	163
H32A-TO-4P-M32	1 007 01 0000096	128	H32B-SM-4PR-PC-PG29	1 007 01 0000847	163
H32A-TO-4P-M40	1 007 01 0000097	128	H32B-SM-4PR-PC-PG36	1 007 01 0000849	163
H32A-TO-4P-PG16	1 007 01 0000098	128	H32B-SM-4PR-PG29	1 007 01 0000837	163
H32A-TO-4P-PG21	1 007 01 0000099	128	H32B-SM-4PR-PG36	1 007 01 0000839	163
H32A-TO-4P-PG29	1 007 01 0000100	128	H32B-SO-2L-M32	1 007 01 0000780	161
H32B-CTC-2L-M32	1 007 01 0000801	161	H32B-SO-2L-M40	1 007 01 0000781	161
H32B-CTC-2L-M40	1 007 01 0000802	161	H32B-SO-2L-M50	1 007 01 0000782	161
H32B-CTC-2L-M50	1 007 01 0000803	161	H32B-SO-2L-PG29	1 007 01 0000783	161
H32B-CTC-2L-PG29	1 007 01 0000804	161	H32B-SO-2L-PG36	1 007 01 0000784	161
H32B-CTC-2L-PG36	1 007 01 0000805	161	H32B-SO-2L-PG42	1 007 01 0000785	161
H32B-CTC-2L-PG42	1 007 01 0000806	161	H32B-SO-2PR-M32	1 007 01 0000752	160
H32B-OM-1L	1 007 01 0000807	162	H32B-SO-2PR-M40	1 007 01 0000753	160
H32B-OM-1L-PC	1 007 01 0000808	162	H32B-SO-2PR-M50	1 007 01 0000754	160
H32B-OM-2L	1 007 01 0000792	161	H32B-SO-2PR-PG21	1 007 01 0000755	160
H32B-OM-4PR	1 007 01 0000829	163	H32B-SO-2PR-PG29	1 007 01 0000756	160
H32B-OM-4PR-PC	1 007 01 0000830	163	H32B-SO-2PR-PG36	1 007 01 0000757	160
H32B-SM-1L-2M25	1 007 01 0000810	162	H32B-SO-2PR-PG42	1 007 01 0000758	160
H32B-SM-1L-2M32	1 007 01 0000812	162	H32B-SO-4PR-M32	1 007 01 0000766	160
H32B-SM-1L-2M40	1 007 01 0000814	162	H32B-SO-4PR-M40	1 007 01 0000767	160
H32B-SM-1L-2PG29	1 007 01 0000816	162	H32B-SO-4PR-M50	1 007 01 0000768	160
H32B-SM-1L-2PG36	1 007 01 0000818	162	H32B-SO-4PR-PG21	1 007 01 0000769	160
H32B-SM-1L-M25	1 007 01 0000809	162	H32B-SO-4PR-PG29	1 007 01 0000770	160
H32B-SM-1L-M32	1 007 01 0000811	162	H32B-SO-4PR-PG36	1 007 01 0000771	160
H32B-SM-1L-M40	1 007 01 0000813	162	H32B-SO-4PR-PG42	1 007 01 0000772	160
H32B-SM-1L-PC-2M25	1 007 01 0000820	162	H32B-TO-2L-M32	1 007 01 0000786	161
H32B-SM-1L-PC-2M32	1 007 01 0000822	162	H32B-TO-2L-M40	1 007 01 0000787	161
H32B-SM-1L-PC-2M40	1 007 01 0000824	162	H32B-TO-2L-M50	1 007 01 0000788	161
H32B-SM-1L-PC-2PG29	1 007 01 0000826	162	H32B-TO-2L-PG29	1 007 01 0000789	161
H32B-SM-1L-PC-2PG36	1 007 01 0000828	162	H32B-TO-2L-PG36	1 007 01 0000790	161
H32B-SM-1L-PC-M25	1 007 01 0000819	162	H32B-TO-2L-PG42	1 007 01 0000791	161
H32B-SM-1L-PC-M32	1 007 01 0000821	162	H32B-TO-2PR-M32	1 007 01 0000759	160
H32B-SM-1L-PC-M40	1 007 01 0000823	162	H32B-TO-2PR-M40	1 007 01 0000760	160
H32B-SM-1L-PC-PG29	1 007 01 0000825	162	H32B-TO-2PR-M50	1 007 01 0000761	160
H32B-SM-1L-PC-PG36	1 007 01 0000827	162	H32B-TO-2PR-PG21	1 007 01 0000762	160
H32B-SM-1L-PG29	1 007 01 0000815	162	H32B-TO-2PR-PG29	1 007 01 0000763	160
H32B-SM-1L-PG36	1 007 01 0000817	162	H32B-TO-2PR-PG36	1 007 01 0000764	160
H32B-SM-2L-2M32	1 007 01 0000794	161	H32B-TO-2PR-PG42	1 007 01 0000765	160
H32B-SM-2L-2M40	1 007 01 0000796	161	H32B-TO-4PR-M32	1 007 01 0000773	160
H32B-SM-2L-2PG29	1 007 01 0000798	161	H32B-TO-4PR-M40	1 007 01 0000774	160
H32B-SM-2L-2PG36	1 007 01 0000800	161	H32B-TO-4PR-M50	1 007 01 0000775	160
H32B-SM-2L-M32	1 007 01 0000793	161	H32B-TO-4PR-PG21	1 007 01 0000776	160
H32B-SM-2L-M40	1 007 01 0000795	161	H32B-TO-4PR-PG29	1 007 01 0000777	160
H32B-SM-2L-PG29	1 007 01 0000797	161	H32B-TO-4PR-PG36	1 007 01 0000778	160
H32B-SM-2L-PG36	1 007 01 0000799	161	H32B-TO-4PR-PG42	1 007 01 0000779	160
H32B-SM-4PR-2M25	1 007 01 0000832	163	H3AB-OM-2BH	1 007 01 0000030	123
H32B-SM-4PR-2M32	1 007 01 0000834	163	H3AB-SO-2B-M20	1 007 01 0000022	123
H32B-SM-4PR-2M40	1 007 01 0000836	163	H3AB-SO-2B-M25	1 007 01 0000023	123
H32B-SM-4PR-2PG29	1 007 01 0000838	163	H3AB-SO-2B-PG11	1 007 01 0000024	123
H32B-SM-4PR-2PG36	1 007 01 0000840	163	H3AB-SO-2B-PG13.5	1 007 01 0000025	123
H32B-SM-4PR-M25	1 007 01 0000831	163	H3AB-TO-2B-M20	1 007 01 0000026	123
H32B-SM-4PR-M32	1 007 01 0000833	163	H3AB-TO-2B-M25	1 007 01 0000027	123
H32B-SM-4PR-M40	1 007 01 0000835	163	H3AB-TO-2B-PG11	1 007 01 0000028	123

型号 Product model	货号 Order No.	页码 Page	型号 Product model	货号 Order No.	页码 Page
H3AB-TO-2B-PG13.5	1 007 01 0000029	123	H48B-TO-2PR-M40	1 007 01 0000858	164
H3A-CTC-1L-M20	1 007 01 0000015	122	H48B-TO-2PR-M50	1 007 01 0000859	164
H3A-CTC-1L-PG11	1 007 01 0000016	122	H48B-TO-2PR-PG29	1 007 01 0000860	164
H3A-CTC-1L-PG13.5	1 007 01 0000017	122	H48B-TO-2PR-PG36	1 007 01 0000861	164
H3A-OM-1L	1 007 01 0000014	122	H48B-TO-2PR-PG42	1 007 01 0000862	164
H3A-OM-1L-MCG	1 007 01 0000021	123	H6BB-OM-2BH	1 007 01 0000185	132
H3A-OMS-1L	1 007 01 0000013	122	H6BB-SO-2B-M25	1 007 01 0000177	132
H3AP-CTC-1L-M20	1 007 01 0000001	121	H6BB-SO-2B-M32	1 007 01 0000178	132
H3AP-CTC-1L-PG11	1 007 01 0000002	121	H6BB-SO-2B-PG16	1 007 01 0000179	132
H3AP-OM-1L	1 007 01 0000006	121	H6BB-SO-2B-PG21	1 007 01 0000180	132
H3AP-OMS-1L	1 007 01 0000005	121	H6BB-TO-2B-M25	1 007 01 0000181	132
H3AP-PC-1L-M	1 007 02 0000003	121	H6BB-TO-2B-M32	1 007 01 0000182	132
H3AP-PC-1L-N	1 007 02 0000001	121	H6BB-TO-2B-PG16	1 007 01 0000183	132
H3AP-PC-1L-NG	1 007 02 0000002	121	H6BB-TO-2B-PG21	1 007 01 0000184	132
H3AP-PC-2P	1 007 02 0000004	121	H6B-CTC-1L-M20	1 007 01 0000169	131
H3AP-PC-2P-M	1 007 02 0000008	121	H6B-CTC-1L-M25	1 007 01 0000170	131
H3AP-PC-2P-MT	1 007 02 0000009	121	H6B-CTC-1L-PG13.5	1 007 01 0000171	131
H3AP-PC-2P-N	1 007 02 0000005	121	H6B-CTC-1L-PG16	1 007 01 0000172	131
H3AP-PC-2P-NG	1 007 02 0000007	121	H6B-CTCH-1L-M20	1 007 01 0000173	131
H3AP-PC-2P-NT	1 007 02 0000006	121	H6B-CTCH-1L-M25	1 007 01 0000174	131
H3AP-TO-2P-M20	1 007 01 0000003	121	H6B-CTCH-1L-PG13.5	1 007 01 0000175	131
H3AP-TO-2P-PG11	1 007 01 0000004	121	H6B-CTCH-1L-PG16	1 007 01 0000176	131
H3A-SM-1L-M20	1 007 01 0000018	123	H6B-OM-1L	1 007 01 0000143	130
H3A-SM-1L-PG11	1 007 01 0000019	123	H6B-OM-1L-PC	1 007 01 0000144	130
H3A-SM-1L-PG13.5	1 007 01 0000020	123	H6B-PC-1LP	1 007 02 0000018	132
H3A-SO-2P-M20	1 007 01 0000007	122	H6B-PC-1LP-M	1 007 02 0000021	132
H3A-SO-2P-PG11	1 007 01 0000008	122	H6B-PC-1LP-MT	1 007 02 0000022	132
H3A-SO-2P-PG13.5	1 007 01 0000009	122	H6B-PC-1LP-N	1 007 02 0000019	132
H3A-TO-2P-M20	1 007 01 0000010	122	H6B-PC-1LP-NT	1 007 02 0000020	132
H3A-TO-2P-PG11	1 007 01 0000011	122	H6B-PC-2P-M	1 007 02 0000014	132
H3A-TO-2P-PG13.5	1 007 01 0000012	122	H6B-PC-2P-MG	1 007 02 0000016	132
H48B-OM-1L	1 007 01 0000863	165	H6B-PC-2P-MT	1 007 02 0000015	132
H48B-OM-1L-PC	1 007 01 0000864	165	H6B-PC-2P-MTG	1 007 02 0000017	132
H48B-SM-1L-2M25	1 007 01 0000866	165	H6B-PC-2P-N	1 007 02 0000010	132
H48B-SM-1L-2M32	1 007 01 0000868	165	H6B-PC-2P-NG	1 007 02 0000012	132
H48B-SM-1L-2M40	1 007 01 0000870	165	H6B-PC-2P-NT	1 007 02 0000011	132
H48B-SM-1L-2PG29	1 007 01 0000872	165	H6B-PC-2P-NTG	1 007 02 0000013	132
H48B-SM-1L-2PG36	1 007 01 0000874	165	H6B-SM-1L-2M20	1 007 01 0000146	131
H48B-SM-1L-M25	1 007 01 0000865	165	H6B-SM-1L-2M25	1 007 01 0000148	131
H48B-SM-1L-M32	1 007 01 0000867	165	H6B-SM-1L-2PG16	1 007 01 0000150	131
H48B-SM-1L-M40	1 007 01 0000869	165	H6B-SM-1L-M20	1 007 01 0000145	131
H48B-SM-1L-PC-2M25	1 007 01 0000876	165	H6B-SM-1L-M25	1 007 01 0000147	131
H48B-SM-1L-PC-2M32	1 007 01 0000878	165	H6B-SM-1L-PC-2M20	1 007 01 0000152	131
H48B-SM-1L-PC-2M40	1 007 01 0000880	165	H6B-SM-1L-PC-2M25	1 007 01 0000154	131
H48B-SM-1L-PC-2PG29	1 007 01 0000882	165	H6B-SM-1L-PC-2PG16	1 007 01 0000156	131
H48B-SM-1L-PC-2PG36	1 007 01 0000884	165	H6B-SM-1L-PC-M20	1 007 01 0000151	131
H48B-SM-1L-PC-M25	1 007 01 0000875	165	H6B-SM-1L-PC-M25	1 007 01 0000153	131
H48B-SM-1L-PC-M32	1 007 01 0000877	165	H6B-SM-1L-PC-PG16	1 007 01 0000155	131
H48B-SM-1L-PC-M40	1 007 01 0000879	165	H6B-SM-1L-PG16	1 007 01 0000149	131
H48B-SM-1L-PC-PG29	1 007 01 0000881	165	H6B-SMH-1L-2M25	1 007 01 0000158	131
H48B-SM-1L-PC-PG36	1 007 01 0000883	165	H6B-SMH-1L-2M32	1 007 01 0000160	131
H48B-SM-1L-PG29	1 007 01 0000871	165	H6B-SMH-1L-2PG21	1 007 01 0000162	131
H48B-SM-1L-PG36	1 007 01 0000873	165	H6B-SMH-1L-M25	1 007 01 0000157	131
H48B-SO-2PR-M32	1 007 01 0000851	164	H6B-SMH-1L-M32	1 007 01 0000159	131
H48B-SO-2PR-M40	1 007 01 0000852	164	H6B-SMH-1L-PC-2M25	1 007 01 0000164	131
H48B-SO-2PR-M50	1 007 01 0000853	164	H6B-SMH-1L-PC-2M32	1 007 01 0000166	131
H48B-SO-2PR-PG29	1 007 01 0000854	164	H6B-SMH-1L-PC-2PG21	1 007 01 0000168	131
H48B-SO-2PR-PG36	1 007 01 0000855	164	H6B-SMH-1L-PC-M25	1 007 01 0000163	131
H48B-SO-2PR-PG42	1 007 01 0000856	164	H6B-SMH-1L-PC-M32	1 007 01 0000165	131
H48B-TO-2PR-M32	1 007 01 0000857	164	H6B-SMH-1L-PC-PG21	1 007 01 0000167	131

型号 Product model	货号 Order No.	页码 Page	型号 Product model	货号 Order No.	页码 Page
H6B-SMH-1L-PG21	1 007 01 0000161	131	HD-050-MC(26-50)	1 007 03 0000075	48
H6B-SO-2P-M20	1 007 01 0000123	130	HD-064-FC	1 007 03 0000078	49
H6B-SO-2P-M25	1 007 01 0000124	130	HD-064-FC	1 007 03 0000082	51
H6B-SO-2P-PG13.5	1 007 01 0000125	130	HD-064-MC	1 007 03 0000077	49
H6B-SO-2P-PG16	1 007 01 0000126	130	HD-064-MC	1 007 03 0000081	51
H6B-SOH-2P-M20	1 007 01 0000127	130	HD-080-FC(41-80)	1 007 03 0000080	50
H6B-SOH-2P-M25	1 007 01 0000128	130	HD-080-MC(41-80)	1 007 03 0000079	50
H6B-SOH-2P-M32	1 007 01 0000129	130	HD-128-FC(65-128)	1 007 03 0000082	51
H6B-SOH-2P-PG13.5	1 007 01 0000130	130	HD-128-MC(65-128)	1 007 03 0000081	51
H6B-SOH-2P-PG16	1 007 01 0000131	130	HDD-024-FC	1 007 03 0000084	54
H6B-SOH-2P-PG21	1 007 01 0000132	130	HDD-024-MC	1 007 03 0000083	54
H6B-TO-2P-M20	1 007 01 0000133	130	HDD-042-FC	1 007 03 0000086	55
H6B-TO-2P-M25	1 007 01 0000134	130	HDD-042-MC	1 007 03 0000085	55
H6B-TO-2P-PG13.5	1 007 01 0000135	130	HDD-072-FC	1 007 03 0000088	56
H6B-TO-2P-PG16	1 007 01 0000136	130	HDD-072-FC	1 007 03 0000092	58
H6B-TOH-2P-M20	1 007 01 0000137	130	HDD-072-MC	1 007 03 0000087	56
H6B-TOH-2P-M25	1 007 01 0000138	130	HDD-072-MC	1 007 03 0000091	58
H6B-TOH-2P-M32	1 007 01 0000139	130	HDD-108-FC	1 007 03 0000090	57
H6B-TOH-2P-PG13.5	1 007 01 0000140	130	HDD-108-FC	1 007 03 0000094	59
H6B-TOH-2P-PG16	1 007 01 0000141	130	HDD-108-MC	1 007 03 0000089	57
H6B-TOH-2P-PG21	1 007 01 0000142	130	HDD-108-MC	1 007 03 0000093	59
HA-003-F	1 007 03 0000002	11	HDD-144-FC(73-144)	1 007 03 0000092	58
HA-003-M	1 007 03 0000001	11	HDD-144-MC(73-144)	1 007 03 0000091	58
HA-004-F	1 007 03 0000004	11	HDD-216-FC(109-216)	1 007 03 0000094	59
HA-004-M	1 007 03 0000003	11	HDD-216-MC(109-216)	1 007 03 0000093	59
HA-010-F	1 007 03 0000006	12	HDDD-055-FC	1 007 03 0000150	61
HA-010-FC	1 007 03 0000008	12	HDDD-055-MC	1 007 03 0000149	61
HA-010-M	1 007 03 0000005	12	HDDD-075-FC	1 007 03 0000152	62
HA-010-MC	1 007 03 0000007	12	HDDD-075-MC	1 007 03 0000151	62
HA-016-F	1 007 03 0000010	13	HDDD-107-FC	1 007 03 0000154	63
HA-016-F	1 007 03 0000014	14	HDDD-107-MC	1 007 03 0000153	63
HA-016-FC	1 007 03 0000012	13	HE-006-F	1 007 03 0000020	17
HA-016-FC	1 007 03 0000016	14	HE-006-FC	1 007 03 0000018	16
HA-016-M	1 007 03 0000009	13	HE-006-FS	1 007 03 0000022	17
HA-016-M	1 007 03 0000013	14	HE-006-M	1 007 03 0000019	17
HA-016-MC	1 007 03 0000011	13	HE-006-MC	1 007 03 0000017	16
HA-016-MC	1 007 03 0000015	14	HE-006-MS	1 007 03 0000021	17
HA-032-F(17-32)	1 007 03 0000014	14	HE-010-F	1 007 03 0000026	19
HA-032-FC(17-32)	1 007 03 0000016	14	HE-010-FC	1 007 03 0000024	18
HA-032-M(17-32)	1 007 03 0000013	14	HE-010-FS	1 007 03 0000028	19
HA-032-MC(17-32)	1 007 03 0000015	14	HE-010-M	1 007 03 0000025	19
HCP-SO-2B-M25	1 007 10 0000002	166	HE-010-MC	1 007 03 0000023	18
HCP-SO-2B-M25	1 007 10 0000004	166	HE-010-MS	1 007 03 0000027	19
HCP-SO-2B-PG16	1 007 10 0000003	166	HE-016-F	1 007 03 0000032	21
HCP-SO-2B-PG21	1 007 10 0000005	166	HE-016-F	1 007 03 0000044	25
HD-007-FC	1 007 03 0000066	43	HE-016-FC	1 007 03 0000030	20
HD-007-MC	1 007 03 0000065	43	HE-016-FC	1 007 03 0000042	24
HD-008-FC	1 007 03 0000068	44	HE-016-FS	1 007 03 0000034	21
HD-008-MC	1 007 03 0000067	44	HE-016-FS	1 007 03 0000046	25
HD-015-FC	1 007 03 0000070	45	HE-016-M	1 007 03 0000031	21
HD-015-MC	1 007 03 0000069	45	HE-016-M	1 007 03 0000043	25
HD-025-FC	1 007 03 0000072	48	HE-016-MC	1 007 03 0000029	20
HD-025-FC	1 007 03 0000076	44	HE-016-MC	1 007 03 0000041	24
HD-025-MC	1 007 03 0000071	48	HE-016-MS	1 007 03 0000033	21
HD-025-MC	1 007 03 0000075	44	HE-016-MS	1 007 03 0000045	25
HD-040-FC	1 007 03 0000074	47	HE-024-F	1 007 03 0000038	23
HD-040-FC	1 007 03 0000080	50	HE-024-F	1 007 03 0000050	24
HD-040-MC	1 007 03 0000073	47	HE-024-FC	1 007 03 0000036	22
HD-040-MC	1 007 03 0000079	50	HE-024-FC	1 007 03 0000048	26
HD-050-FC(26-50)	1 007 03 0000076	48	HE-024-FS	1 007 03 0000040	23

型号 Product model	货号 Order No.	页码 Page	型号 Product model	货号 Order No.	页码 Page
HE-024-FS	1 007 03 0000052	27	HM040-003-FC	1 007 04 0000046	90
HE-024-M	1 007 03 0000037	23	HM040-003-M-1	1 007 04 0000041	89
HE-024-M	1 007 03 0000049	27	HM040-003-M-2	1 007 04 0000043	89
HE-024-MC	1 007 03 0000035	22	HM040-003-MC	1 007 04 0000045	90
HE-024-MC	1 007 03 0000047	26	HM040-004-FC-1	1 007 04 0000050	93
HE-024-MS	1 007 03 0000039	23	HM040-004-MC-1	1 007 04 0000049	93
HE-024-MS	1 007 03 0000051	27	HM070-002-F-1	1 007 04 0000030	85
HE-032-F(17-32)	1 007 03 0000044	25	HM070-002-F-2	1 007 04 0000032	85
HE-032-FC(17-32)	1 007 03 0000042	24	HM070-002-FC	1 007 04 0000034	86
HE-032-FS(17-32)	1 007 03 0000046	25	HM070-002-M-1	1 007 04 0000029	85
HE-032-M(17-32)	1 007 03 0000043	25	HM070-002-M-2	1 007 04 0000031	85
HE-032-MC(17-32)	1 007 03 0000041	24	HM070-002-MC	1 007 04 0000033	86
HE-032-MS(17-32)	1 007 03 0000045	25	HM100-001-FC-1	1 007 04 0000018	81
HE-048-F(25-48)	1 007 03 0000050	27	HM100-001-MC-1	1 007 04 0000017	81
HE-048-FC(25-48)	1 007 03 0000048	26	HM100-002-F-1	1 007 04 0000020	83
HE-048-FS(25-48)	1 007 03 0000052	27	HM100-002-F-2	1 007 04 0000022	83
HE-048-M(25-48)	1 007 03 0000049	27	HM100-002-FC-1	1 007 04 0000024	84
HE-048-MC(25-48)	1 007 03 0000047	26	HM100-002-M-1	1 007 04 0000019	83
HE-048-MS(25-48)	1 007 03 0000051	27	HM100-002-M-2	1 007 04 0000021	83
HEE-010-FC	1 007 03 0000054	30	HM100-002-MC-1	1 007 04 0000023	84
HEE-010-MC	1 007 03 0000053	30	HM200-001-F-1	1 007 04 0000010	78
HEE-018-FC	1 007 03 0000056	31	HM200-001-F-2	1 007 04 0000012	78
HEE-018-MC	1 007 03 0000055	31	HM200-001-FC-1	1 007 04 0000007	80
HEE-032-FC	1 007 03 0000058	32	HM200-001-M-1	1 007 04 0000009	78
HEE-032-FC	1 007 03 0000062	34	HM200-001-M-2	1 007 04 0000011	78
HEE-032-MC	1 007 03 0000057	32	HM200-001-MC-1	1 007 04 0000008	80
HEE-046-FC	1 007 03 0000060	33	HM300-001-FC-1	1 007 040000002	77
HEE-046-FC	1 007 03 0000064	35	HM300-001-MC-1	1 007 040000001	77
HEE-046-MC	1 007 03 0000059	33	HMD-012-FC-1	1 007 04 0000068	98
HEE-046-MC	1 007 03 0000063	35	HMD-012-MC-1	1 007 04 0000067	98
HEE-064-FC(33-64)	1 007 03 0000062	34	HMDB-009-FC-1	1 007 04 0000084	102
HEE-064-MC(33-64)	1 007 03 0000061	34	HMDB-009-MC-1	1 007 04 0000083	102
HEE-092-FC(47-92)	1 007 03 0000064	35	HMDD-017-FC-1	1 007 04 0000070	99
HEE-092-MC(47-92)	1 007 03 0000063	35	HMDD-017-MC-1	1 007 04 0000069	99
HEEE-040-FC	1 007 03 0000142	37	HMDD-036-FC-1	1 007 04 0000072	100
HEEE-040-MC	1 007 03 0000141	37	HMDD-036-MC-1	1 007 04 0000071	100
HEEE-064-FC	1 007 03 0000144	38	HMDD-042-FC	1 007 04 0000074	101
HEEE-064-MC	1 007 03 0000143	38	HMDD-042-MC	1 007 04 0000073	101
HEEE-080-FC (41-80)	1 007 03 0000146	39	HME-006-FC-1	1 007 04 0000060	94
HEEE-080-MC (41-80)	1 007 03 0000145	39	HME-006-MC-1	1 007 04 0000059	94
HEEE-128-FC (65-128)	1 007 03 0000148	40	HMEE-008-FC-1	1 007 04 0000064	96
HEEE-128-MC (65-128)	1 007 03 0000147	40	HMEE-008-MC-1	1 007 04 0000063	96
HK-004/0-F	1 007 03 0000100	67	HMEE-020-FC-1	1 007 04 0000066	97
HK-004/0-M	1 007 03 0000099	67	HMEE-020-MC-1	1 007 04 0000065	97
HK-004/2-F	1 007 03 0000102	67	HMEHV-006-FC-1	1 007 04 0000062	95
HK-004/2-M	1 007 03 0000101	67	HMEHV-006-MC-1	1 007 04 0000061	95
HK-004/8-F	1 007 03 0000104	69	HMHD-025-FC-1	1 007 04 0000076	103
HK-004/8-M	1 007 03 0000103	69	HMHD-025-MC-1	1 007 04 0000075	103
HM-000-2	1 007 04 0000119	73	HMHD-036-FC-1	1 007 04 0000078	104
HM040-002-F-1	1 007 04 0000036	87	HMHD-036-MC-1	1 007 04 0000077	104
HM040-002-F-2	1 007 04 0000038	87	HMP-002	1 007 04 0000104	106
HM040-002-FC	1 007 04 0000040	88	HMP-003	1 007 04 0000108	107
HM040-002-M-1	1 007 04 0000035	87	HMP-003-V2	1 007 04 0000120	108
HM040-002-M-2	1 007 04 0000037	87	HMPE100-001-F-1	1 007 04 0000016	82
HM040-002-MC	1 007 04 0000039	88	HMPE100-001-F-2	1 007 04 0000016	82
HM040-003/4-FC-1	1 007 040000048	92	HMPE100-001-F-3	1 007 04 0000016	82
HM040-003/4-MC-1	1 007 040000047	92	HMPE100-001-M-1	1 007 04 0000015	82
HM040-003-F-1	1 007 04 0000042	89	HMPE100-001-M-2	1 007 04 0000015	82
HM040-003-F-2	1 007 04 0000044	89	HMPE100-001-M-3	1 007 04 0000015	82
			HMPE200-001-F-1	1 007 04 0000026	79

索引
Index

型号 Product model	货号 Order No.	页码 Page	型号 Product model	货号 Order No.	页码 Page
HMPE200-001-F-2	1 007 040000028	79	SGM-0.82	1 007 06 0000008	102
HMPE200-001-M-1	1 007 040000025	79	SSF-0.25	1 007 07 0000001	102
HMPE200-001-M-2	1 007 040000027	79	SSF-0.33	1 007 07 0000002	102
HM-RJ45-APT-1	1 007 04 0000087	105	SSF-0.52	1 007 07 0000003	102
HM-RJ45-FC-1	1 007 04 0000086	105	SSF-0.82	1 007 07 0000004	102
HM-RJ45-MC-1	1 007 04 0000085	105	SSM-0.25	1 007 06 0000001	102
HPDF-02-F-1	1 007 05 0000028	75	SSM-0.33	1 007 06 0000002	102
HPDF-02-M-1	1 007 05 0000027	75	SSM-0.52	1 007 06 0000003	102
HPDF-03-F-1	1 007 05 0000030	75	SSM-0.82	1 007 06 0000004	102
HPDF-03-M-1	1 007 05 0000029	75	WNAPC-M25B(D10.5-14)	102 112 018 2004	166
HPDF-04-F-1	1 007 05 0000032	76	WNAPC-M25B(D14-17)	102 112 018 2006	166
HPDF-04-M-1	1 007 05 0000031	76	WNAPC-M25B(D6.5-9.5)	102 112 018 2002	166
HPDF-06-F-1	1 007 05 0000034	76	WNAPC-PG16B(D11.5-15.5)	102 112 005 2002	166
HPDF-06-M-1	1 007 05 0000033	76	WNAPC-PG21B(D14-18)	102 112 006 2002	166
HQ-005-FC	1 007 03 0000106	110	WNAPC-PG21B(D17-20.5)	102 112 006 2004	166
HQ-005-MC	1 007 03 0000105	110			
HQ-007-FC	1 007 03 0000108	112			
HQ-007-MC	1 007 03 0000107	112			
HQ-008-FC	1 007 03 0000136	115			
HQ-008-MC	1 007 03 0000135	115			
HQ-012-FC	1 007 03 0000110	113			
HQ-012-MC	1 007 03 0000109	113			
HQ-021-FC	1 007 03 0000140	119			
HQ-021-MC	1 007 03 0000139	119			
HQ-4/2-FC	1 007 03 0000134	117			
HQ-4/2-MC	1 007 03 0000133	117			
HSB-006-F	1 007 03 0000096	65			
HSB-006-F	1 007 03 0000098	65			
HSB-006-M	1 007 03 0000095	65			
HSB-006-M	1 007 03 0000097	65			
HSB-012-F(7-12)	1 007 03 0000098	65			
HSB-012-M(7-12)	1 007 03 0000097	65			
MPCF-OD3.0	1 007 07 0000059	108			
MPCF-OD4.0	1 007 07 0000060	108			
MPCF-OD6.0	1 007 07 0000061	108			
MPCFS-OD3.0	1 007 07 0000062	108			
MPCFS-OD4.0	1 007 07 0000063	108			
MPCFS-OD6.0	1 007 07 0000064	108			
MPCM-OD3.0	1 007 06 0000059	108			
MPCM-OD4.0	1 007 06 0000060	108			
MPCM-OD6.0	1 007 06 0000061	108			
PCF-1.6	1 007 04 0000112	107			
PCF-3.0	1 007 04 0000113	107			
PCF-4.0	1 007 04 0000114	107			
PCF-6.0	1 007 04 0000106	106			
PCFS-1.6	1 007 04 0000115	107			
PCFS-3.0	1 007 04 0000116	107			
PCFS-4.0	1 007 04 0000117	107			
PCFS-6.0	1 007 04 0000107	106			
PCM-1.6	1 007 04 0000109	107			
PCM-3.0	1 007 04 0000110	107			
PCM-4.0	1 007 04 0000111	107			
PCM-6.0	1 007 04 0000105	106			
SGF-0.25	1 007 07 0000005	102			
SGF-0.33	1 007 07 0000006	102			
SGF-0.52	1 007 07 0000007	102			
SGF-0.82	1 007 07 0000008	102			
SGM-0.25	1 007 06 0000005	102			
SGM-0.33	1 007 06 0000006	102			
SGM-0.52	1 007 06 0000007	102			

